

CIRCUIT DIAGRAMS

VOL.6



FOR PIONEER AUDIO EQUIPMENTS

Including
STEREO RECEIVER
4-CHANNEL RECEIVER
STEREO TUNER

CONTENTS

STEREO RECEIVER

- | | | | |
|---|---|---|------------------|
| ① | SX-300
SX-300D
SX-300W | ⑪ | SX-838 |
| ② | SX-424 | ⑫ | SX-939 |
| ③ | SX-525 | ⑬ | SX-1010 |
| ④ | SX-626 | ⑭ | SX-3000 |
| ⑤ | SX-727 | ⑮ | Model 300 |
| ⑥ | SX-828 | ⑯ | KX-303 |
| ⑦ | SX-434 | ⑰ | KX-404 |
| ⑧ | SX-535 | ⑱ | LX-424 |
| ⑨ | SX-636 | ⑳ | LX-626 |
| ⑩ | SX-737 | ㉑ | LX-434 |

4-CHANNEL RECEIVER

- | | | | |
|---|--|---|--|
| ⑳ | QX-646
1. Circuit diagrams without ass'y circuit diagrams.
2. Ass'y circuit diagrams. | ㉕ | QX-4000
1. Circuit diagrams without ass'y circuit diagrams.
2. Ass'y circuit diagrams. |
| ㉓ | QX-747
1. Tuner and power supply assemblies.
2. Audio assemblies. | ㉖ | QX-8000A
1. Circuit diagrams without ass'y circuit diagrams.
2. Ass'y circuit diagrams. |
| ㉔ | QX-949
1. Tuner and power supply assemblies.
2. Audio assemblies. | ㉗ | QX-9900
1. Circuit diagrams without ass'y circuit diagrams.
2. Ass'y circuit diagrams. |

STEREO TUNER

②⑧ **TX-5300**

②⑨ **TX-6200**

③⑩ **TX-7100**

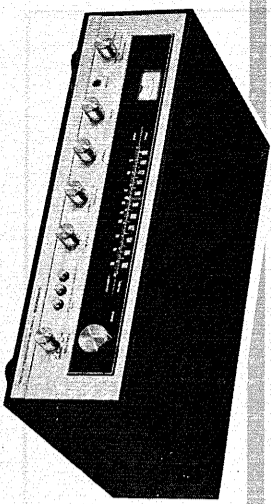
③① **TX-8100**

③② **TX-9100**

③③ **TX-9500**

NOTES:

- Each line voltage and standard (i.e., UL, CSA, SEV, SABS, etc.) of each model is partially altered to conform to the requirements of a destination to which model is shipped. See a space available on supplied circuit diagram.
- Each symbol (KU, KC, FV, NB, etc.), which shows a destination for which necessary standard has been acquired, is easily identifiable with the round label on the rear panel of each model.



SX-300

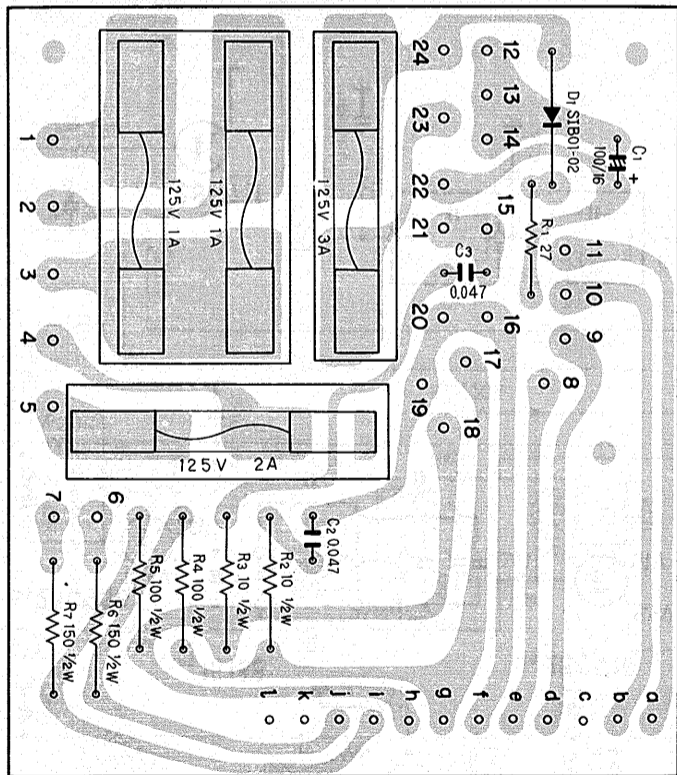
AM/FM STEREO RECEIVER

NBW FWV

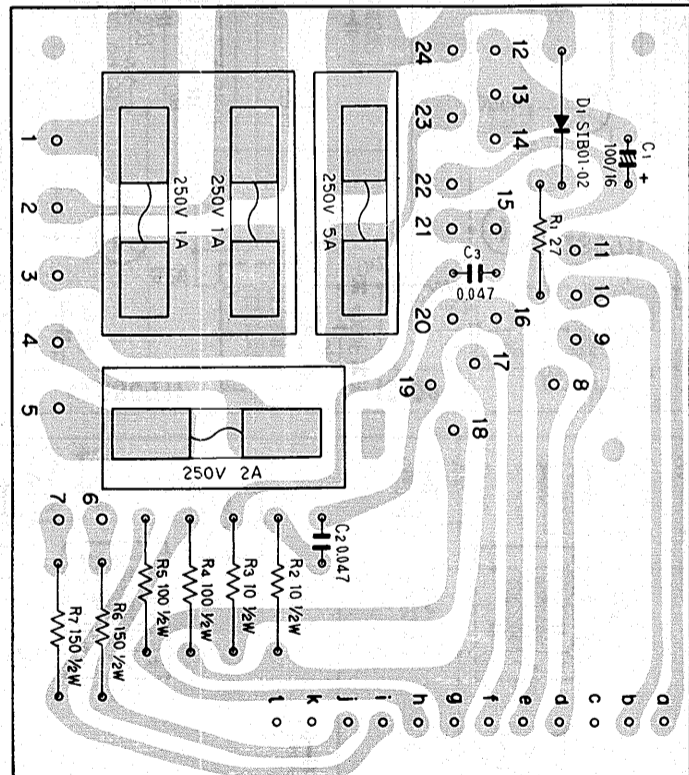
NOTE: This series comes in model SX-300, SX-300D and SX-300W.

SX-300

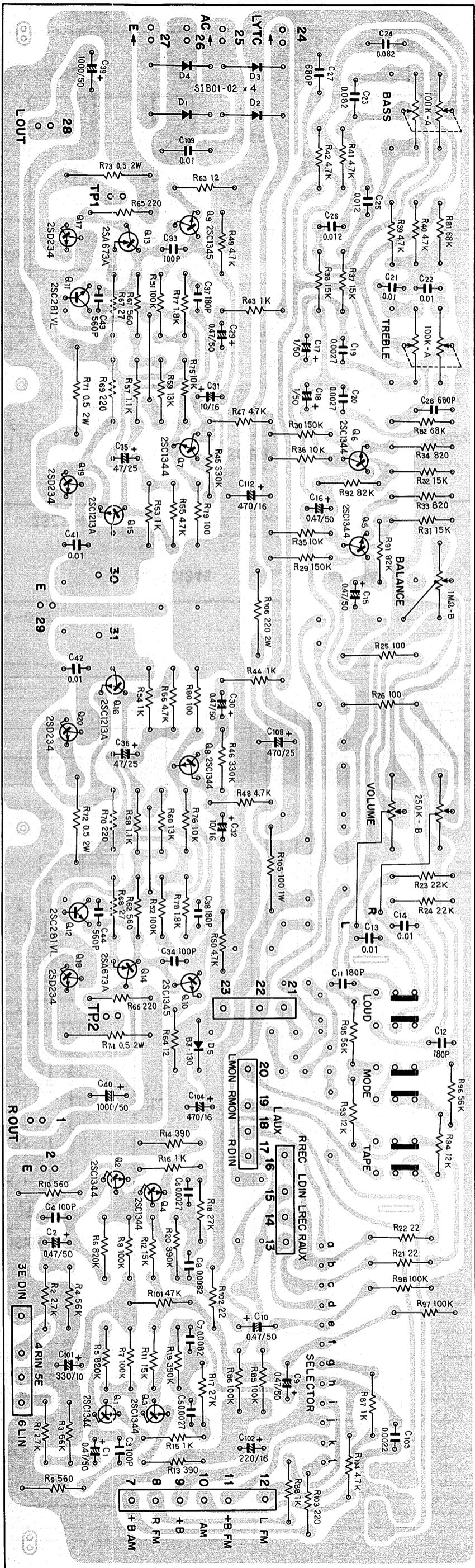
Power switch ass'y AWS-052 (FVW model)



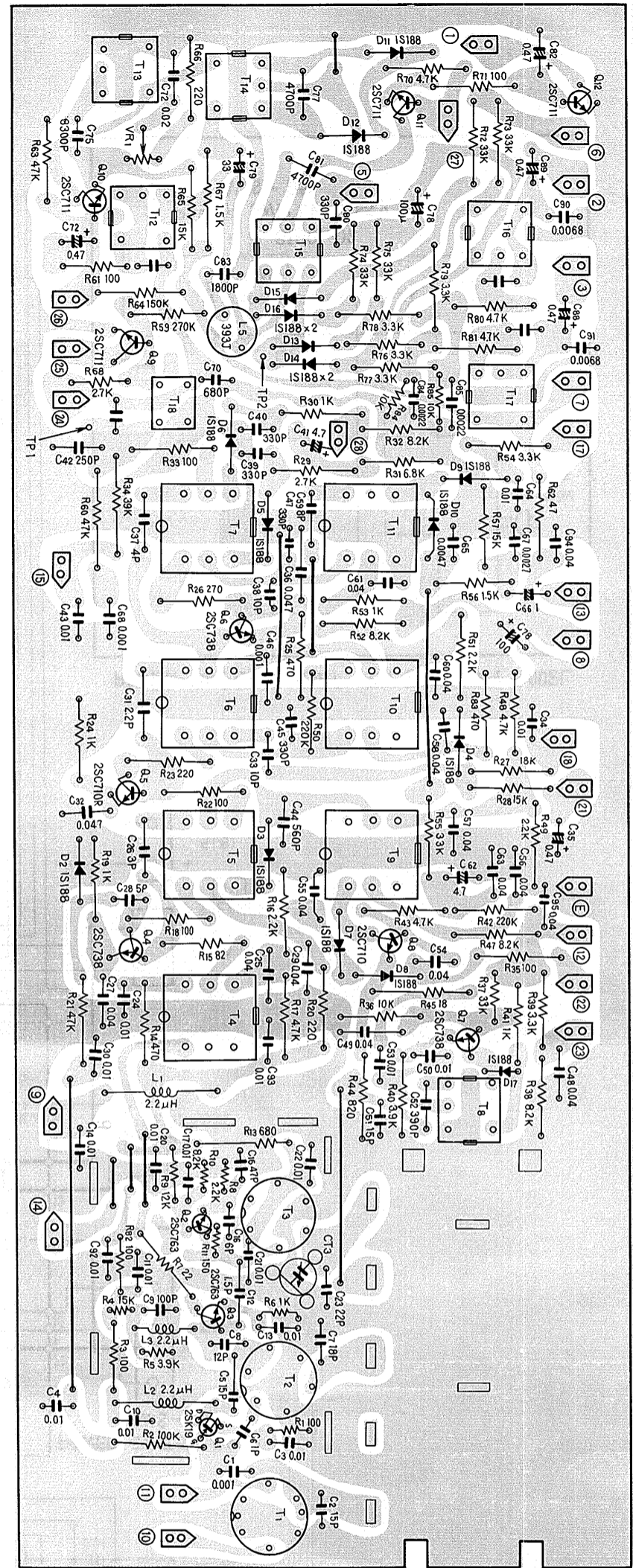
Power switch ass'y AWS-051 (NBW model)



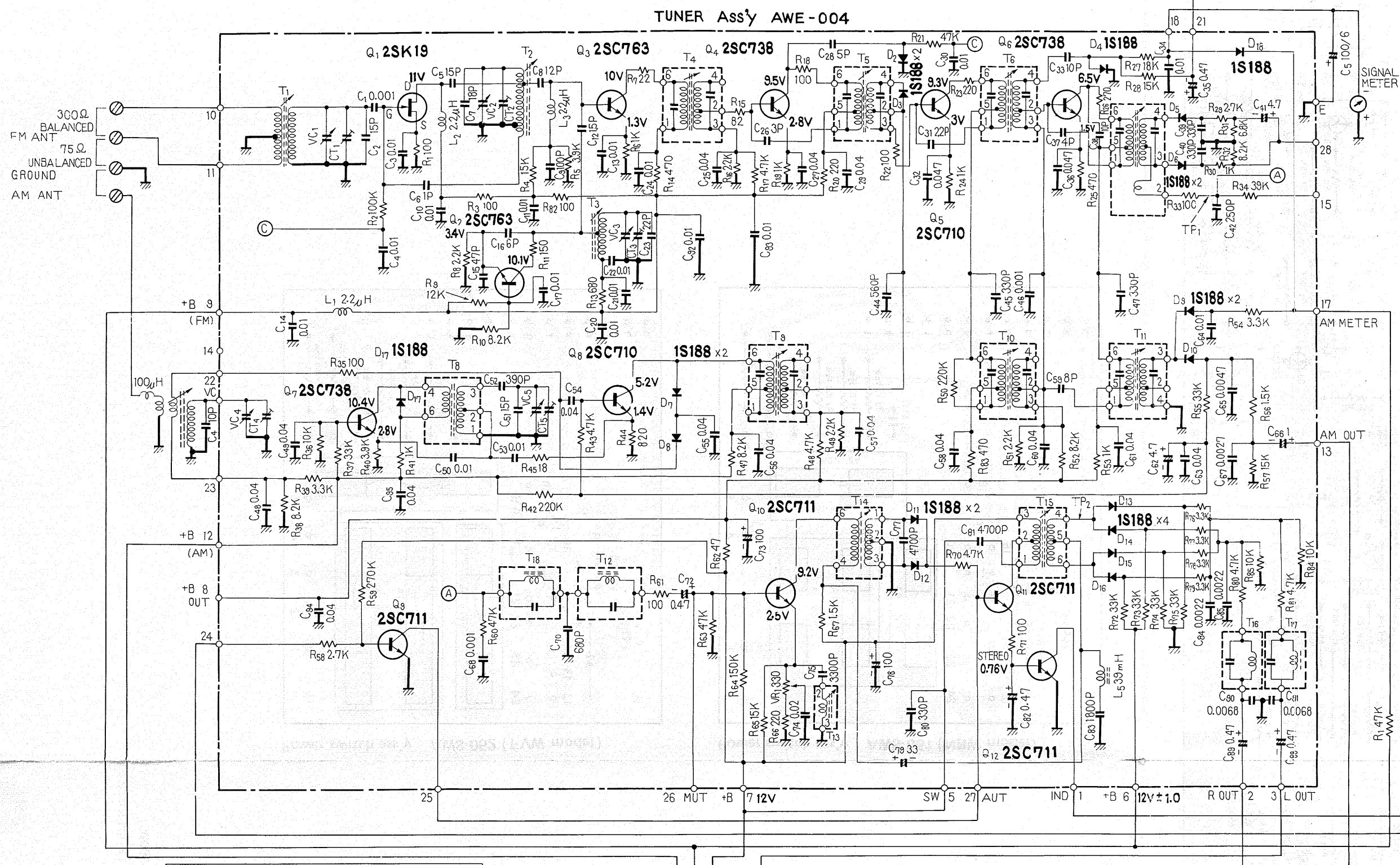
AF amp ass'y AWK-028



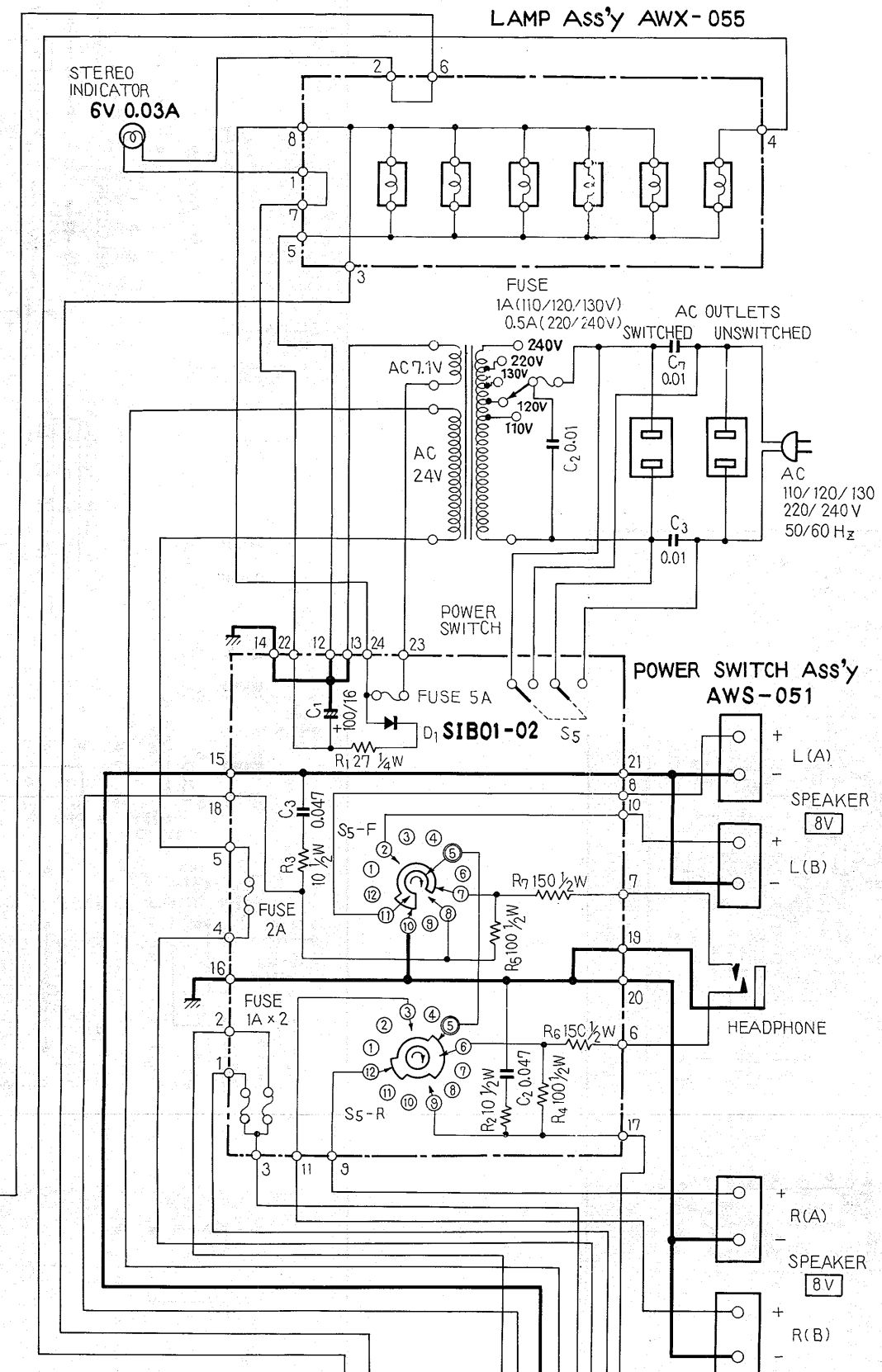
Tuner ass'y AWE-004



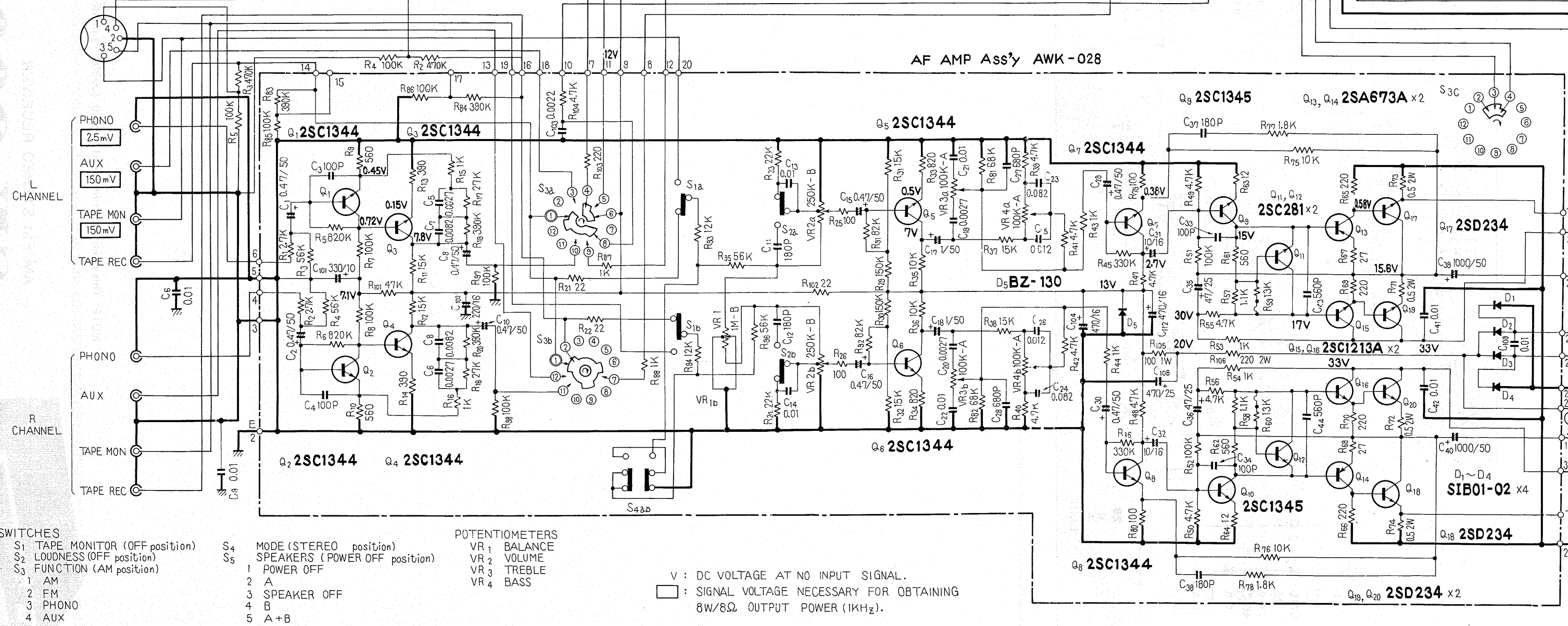
TUNER Ass'y AWE-004



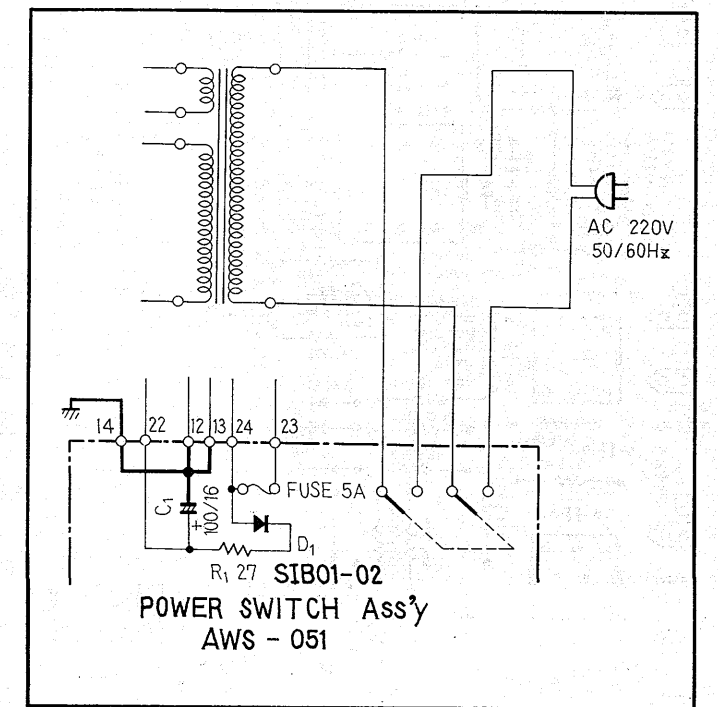
LAMP Ass'y AWX-055



AF AMP Ass'y AWK-028



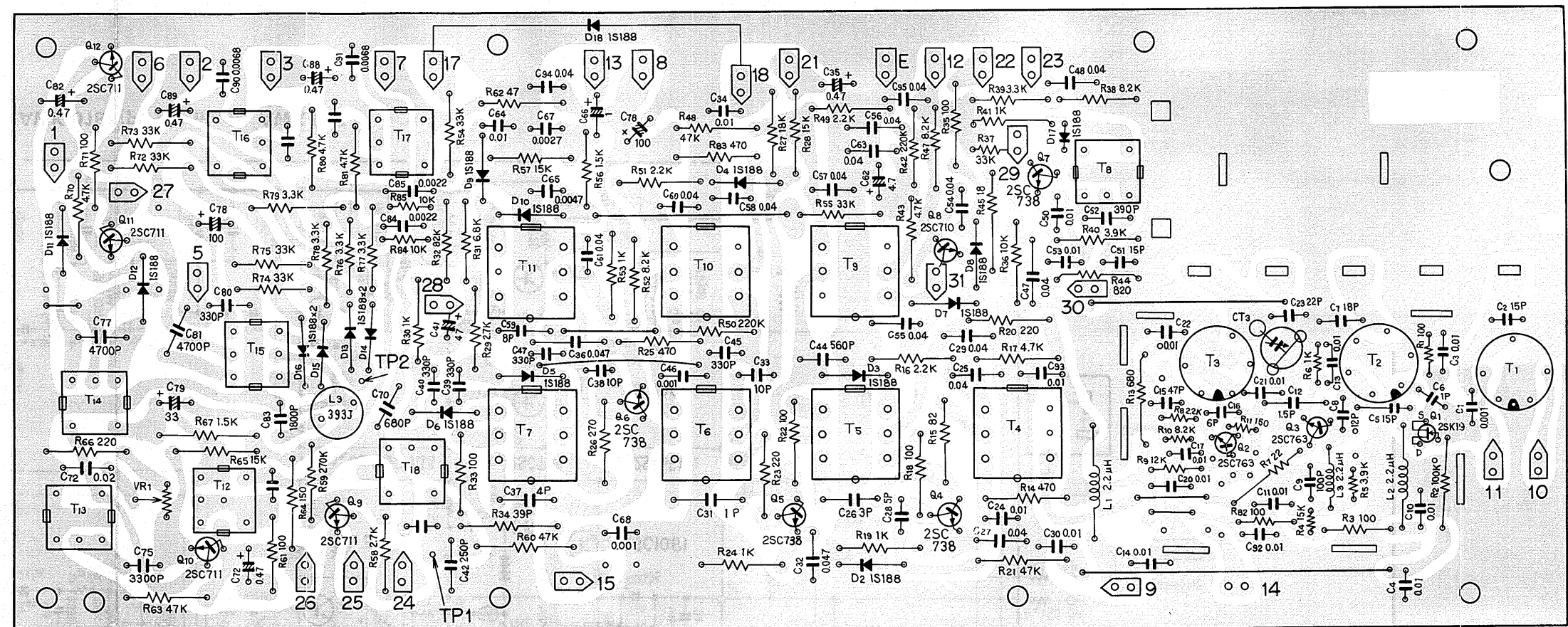
POWER SUPPLY CIRCUIT FOR 220V ONLY MODEL



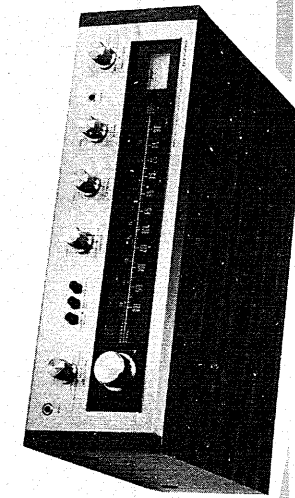
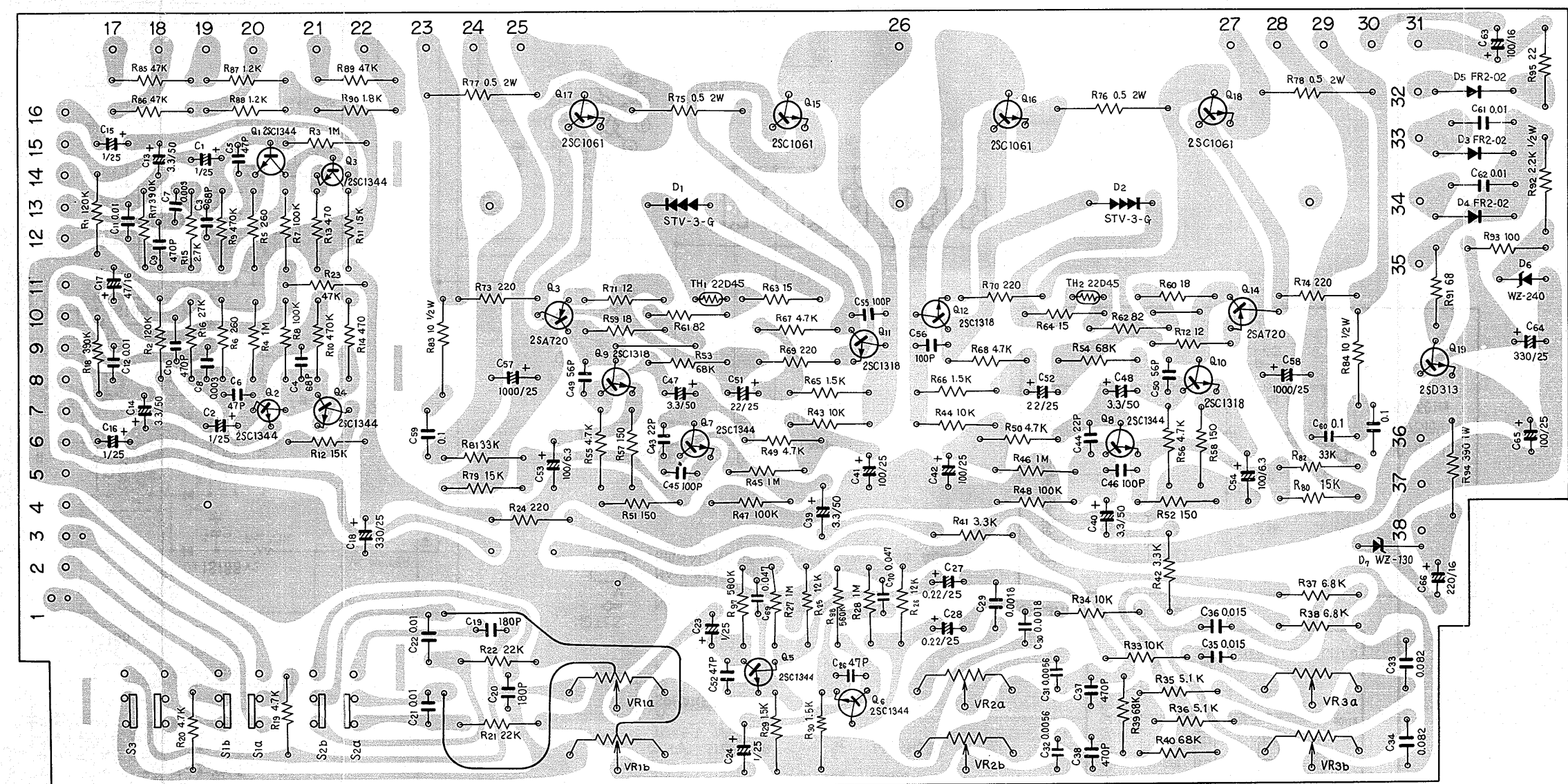
- SWITCHES**
- S₁ TAPE MONITOR (OFF position)
 - S₂ LOUDNESS (OFF position)
 - S₃ FUNCTION (AM position)
 - S₄ MODE (STEREO position)
 - S₅ SPEAKERS (POWER OFF position)
- POTENTIOMETERS**
- VR₁ BALANCE
 - VR₂ VOLUME
 - VR₃ TREBLE
 - VR₄ BASS

V : DC VOLTAGE AT NO INPUT SIGNAL.
 □ : SIGNAL VOLTAGE NECESSARY FOR OBTAINING 8W/8Ω OUTPUT POWER (1KHz).

Tuner ass'y AWE-008

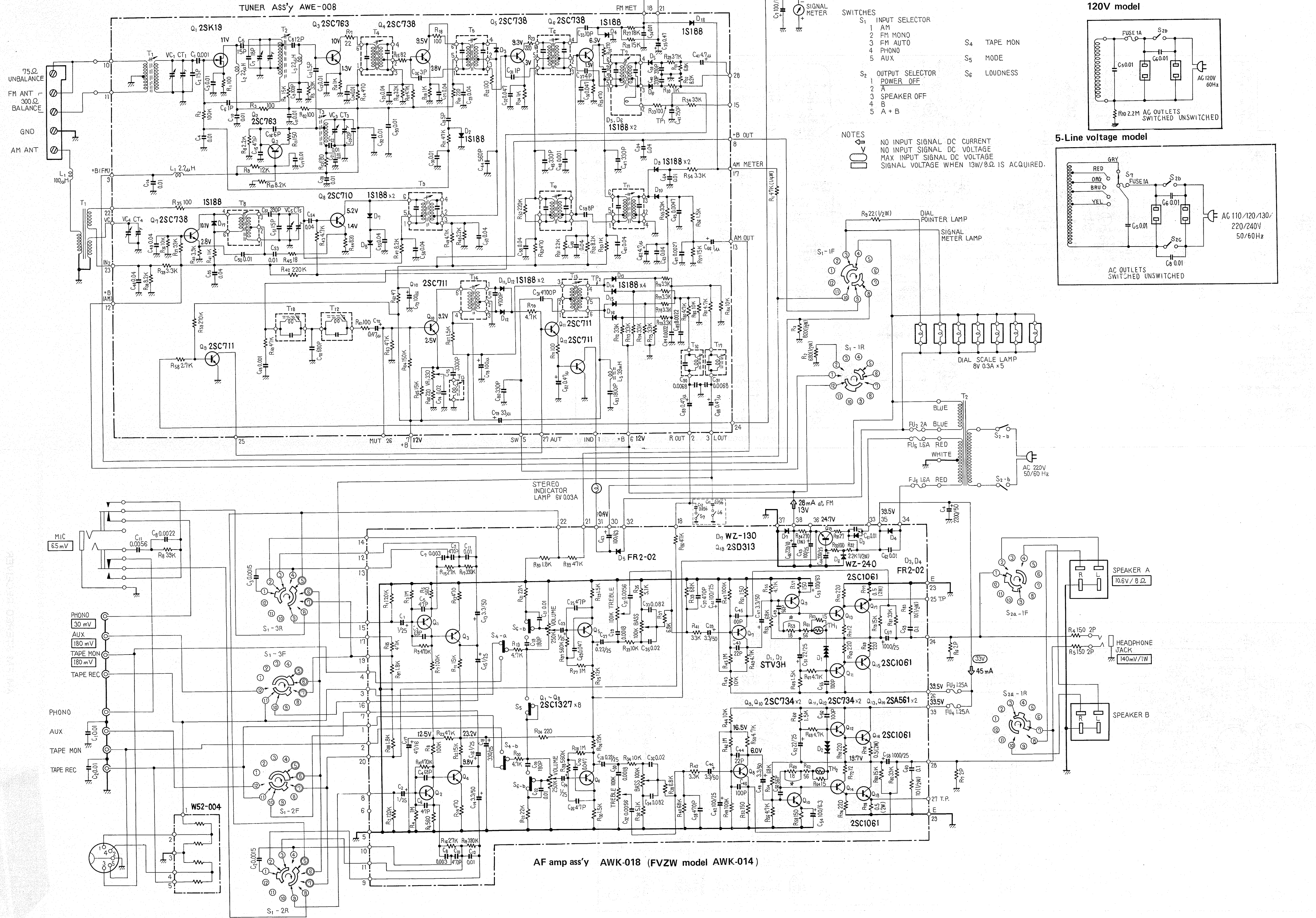


AF amp ass'y AWK-018 (FVZW model AWK-014)



AM/FM STEREO RECEIVER
SX-424
 FVZW KCW KUV NBW

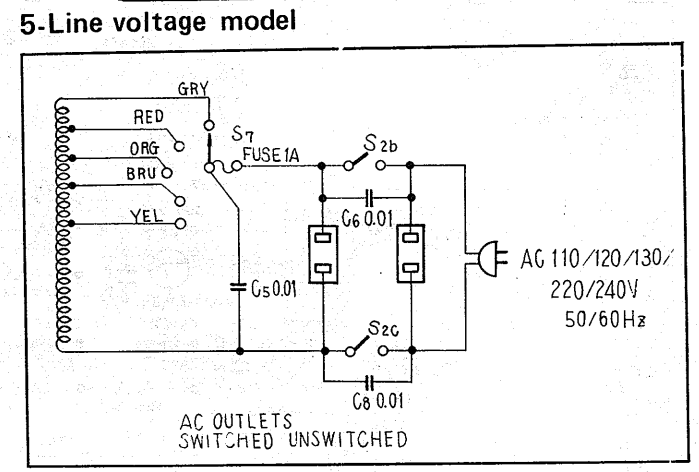
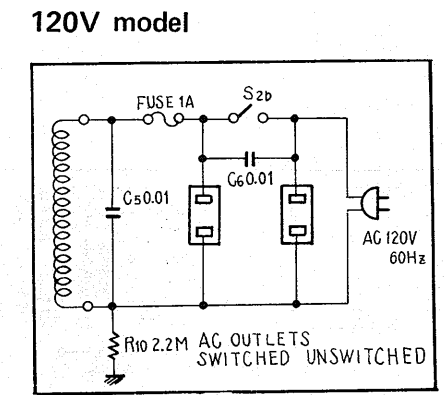
2

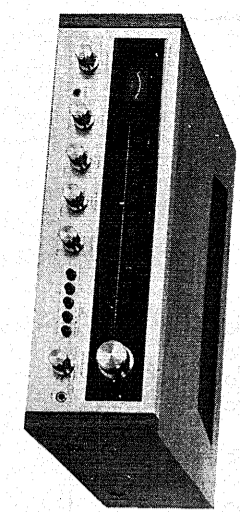


- SWITCHES
- S₁ INPUT SELECTOR
 - 1 AM
 - 2 FM MONO
 - 3 FM AUTO
 - 4 PHONO
 - 5 AUX
 - S₂ OUTPUT SELECTOR
 - 1 POWER OFF
 - 2 SPEAKER OFF
 - 3 A + B
 - S₄ TAPE MON
 - S₅ MODE
 - S₆ LOUDNESS

NOTES

- NO INPUT SIGNAL DC CURRENT
- NO INPUT SIGNAL DC VOLTAGE
- MAX INPUT SIGNAL DC VOLTAGE
- SIGNAL VOLTAGE WHEN 13W/8Ω IS ACQUIRED.



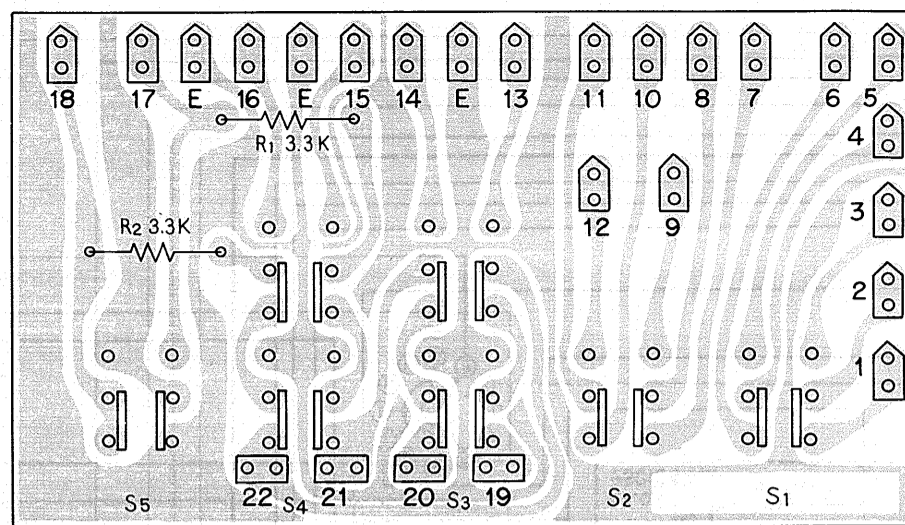


SX-525

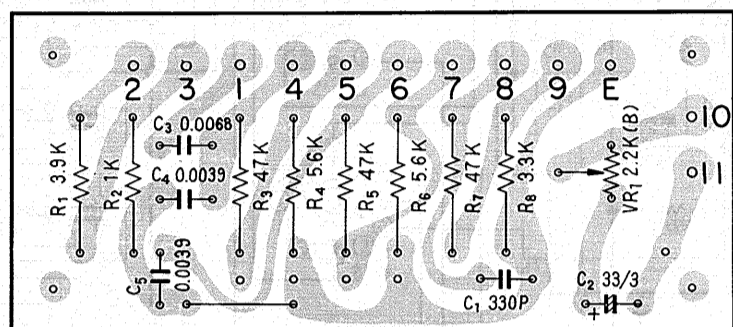
AM/FM STEREO RECEIVER
FUZW FW KCW KUW NBW

3

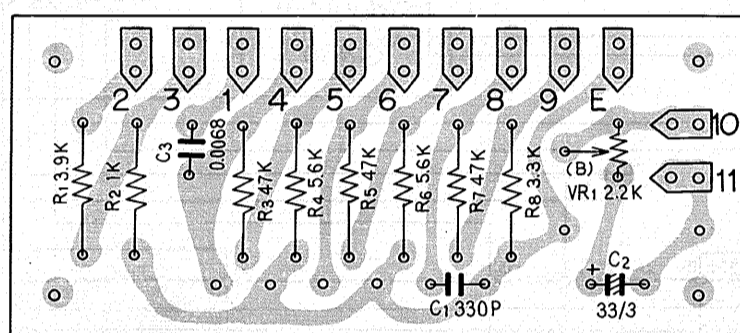
Switch circuit ass'y AWS-015



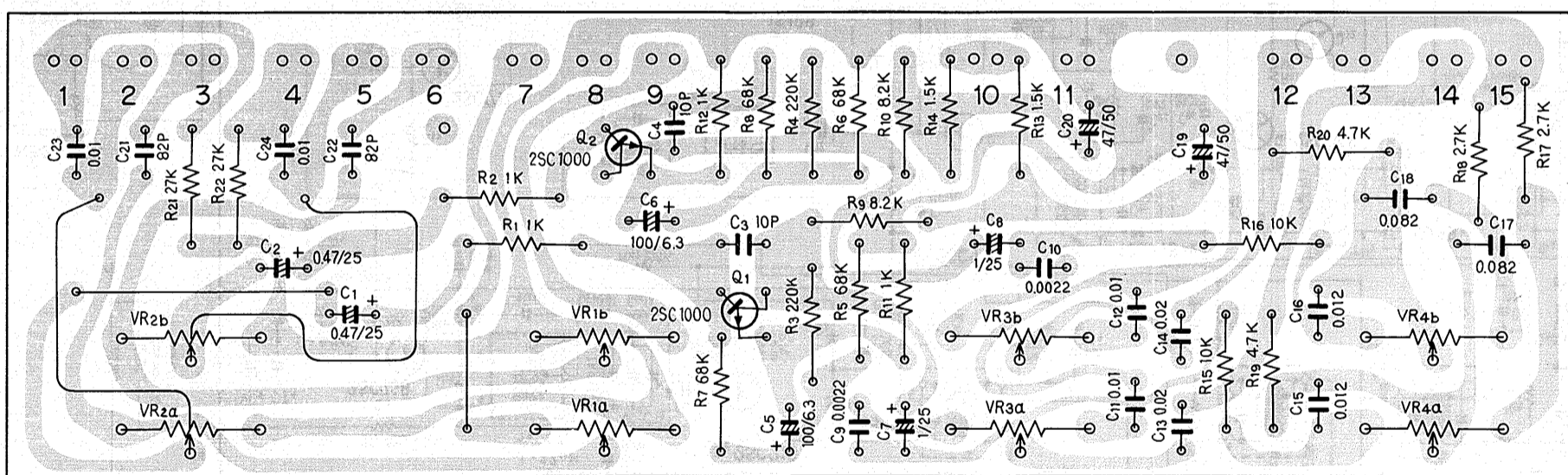
CR ass'y AWX-012 (KCW, KUW model)



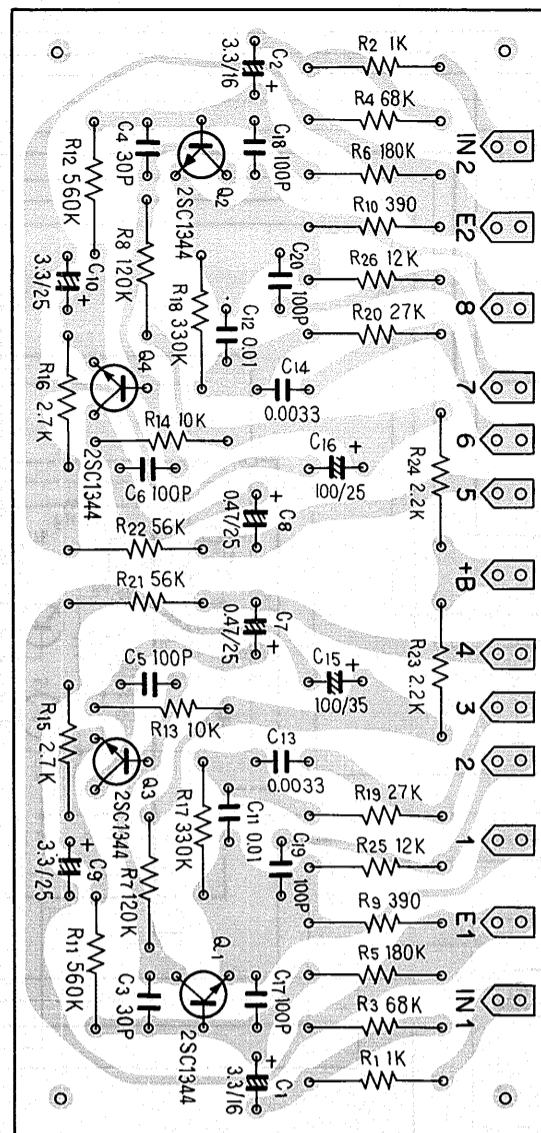
CR ass'y AWX-013 (FW, NBW, FVZW model)



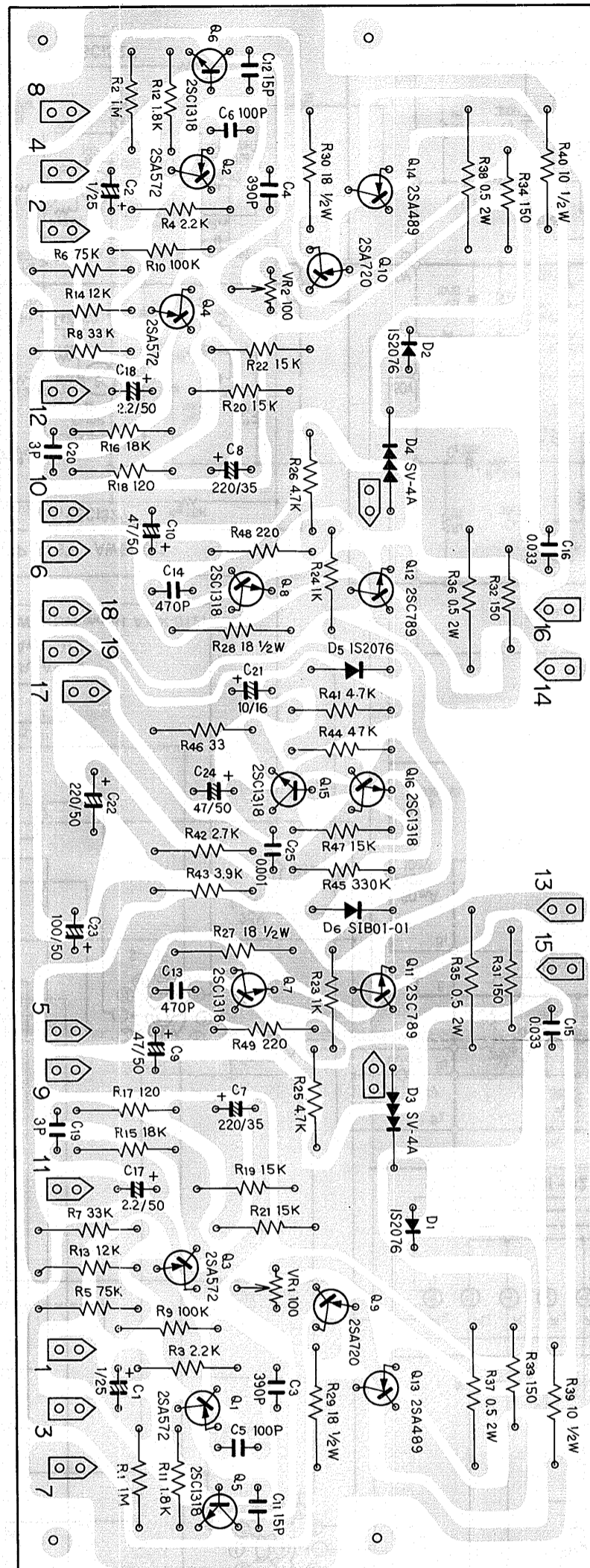
Control amp ass'y AWG-011



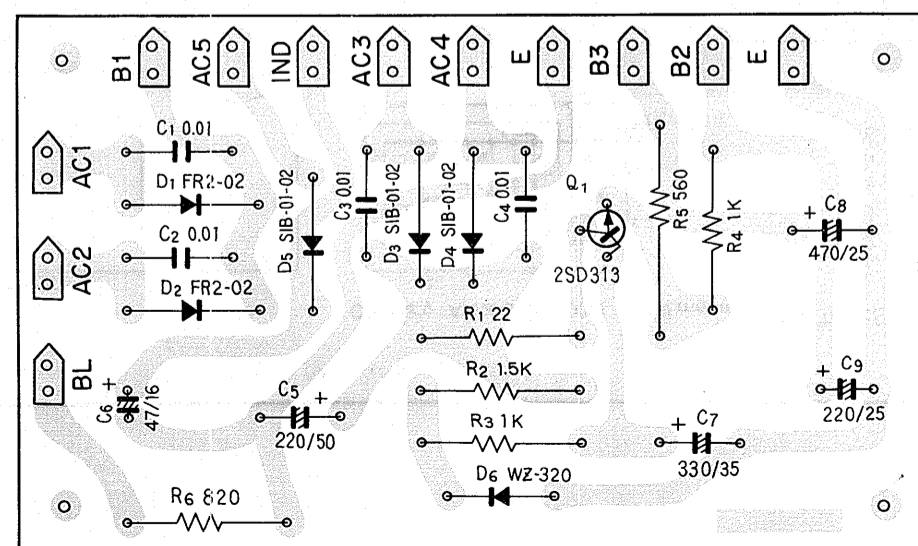
Equalizer amp ass'y AWF-003



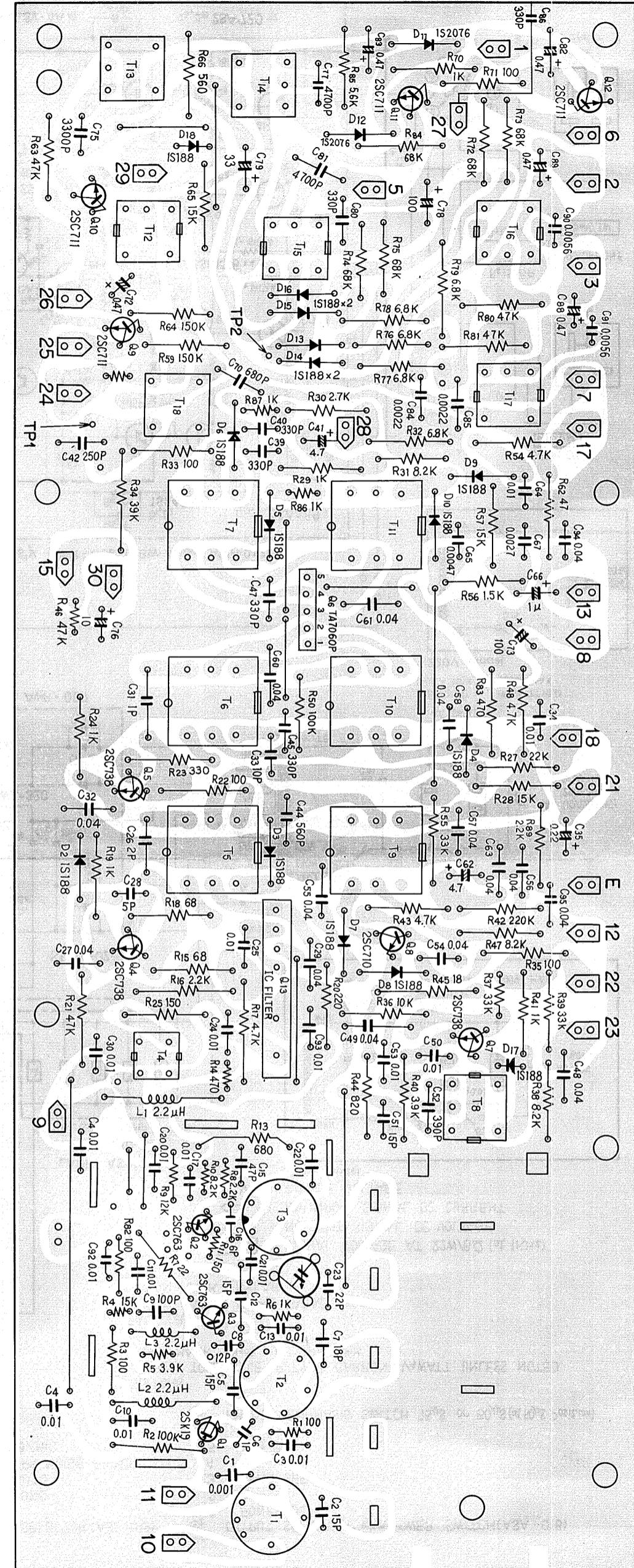
Power amp ass'y AWH-006 (NBW model AWH-012)



Power supply ass'y AWR-007

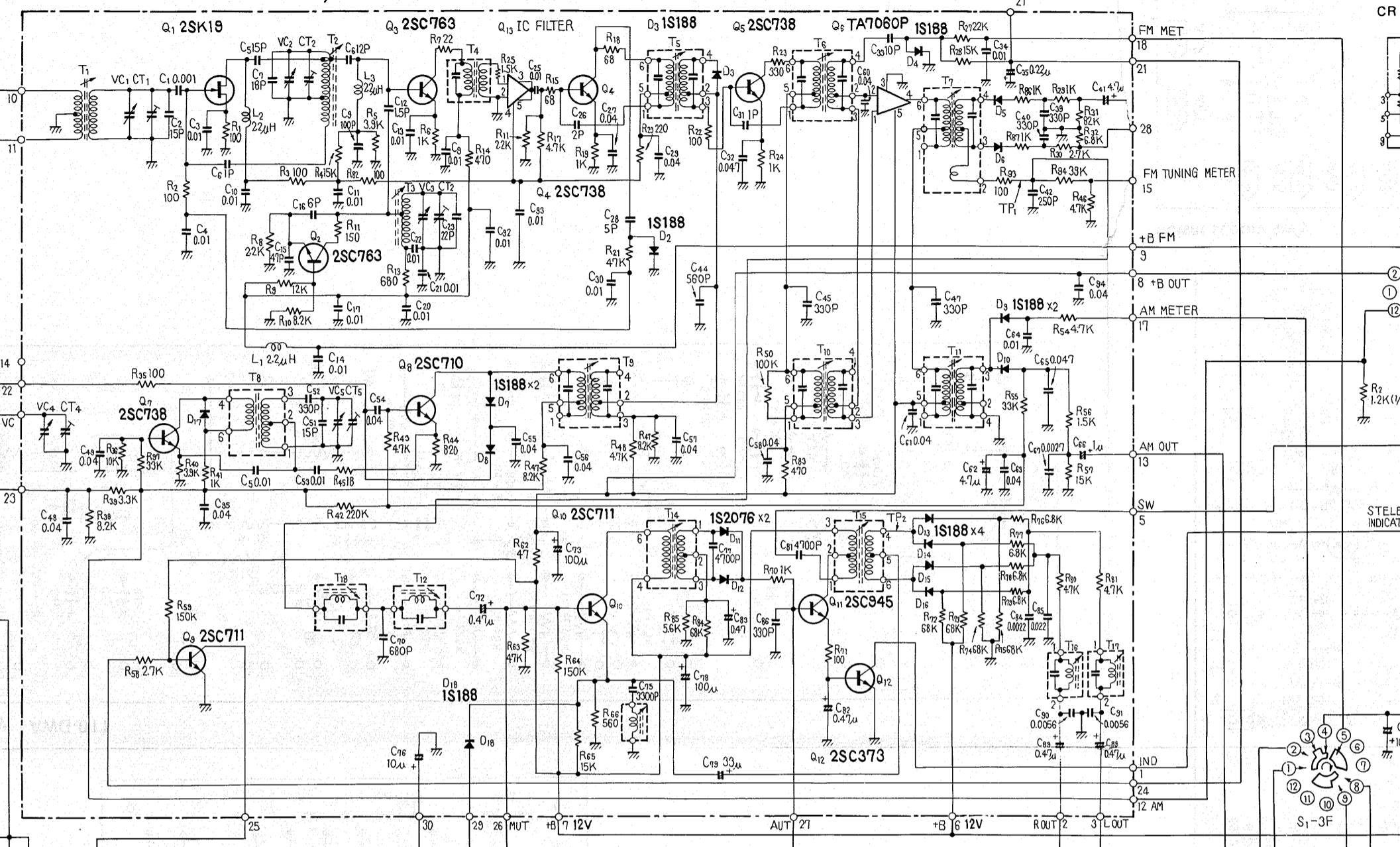


Tuner ass'y AWE-003

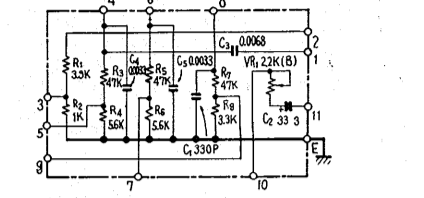


SX-525

TUNER ASS'Y AWE-003



CR ass'y AWX-012 (KWC, KUW model)



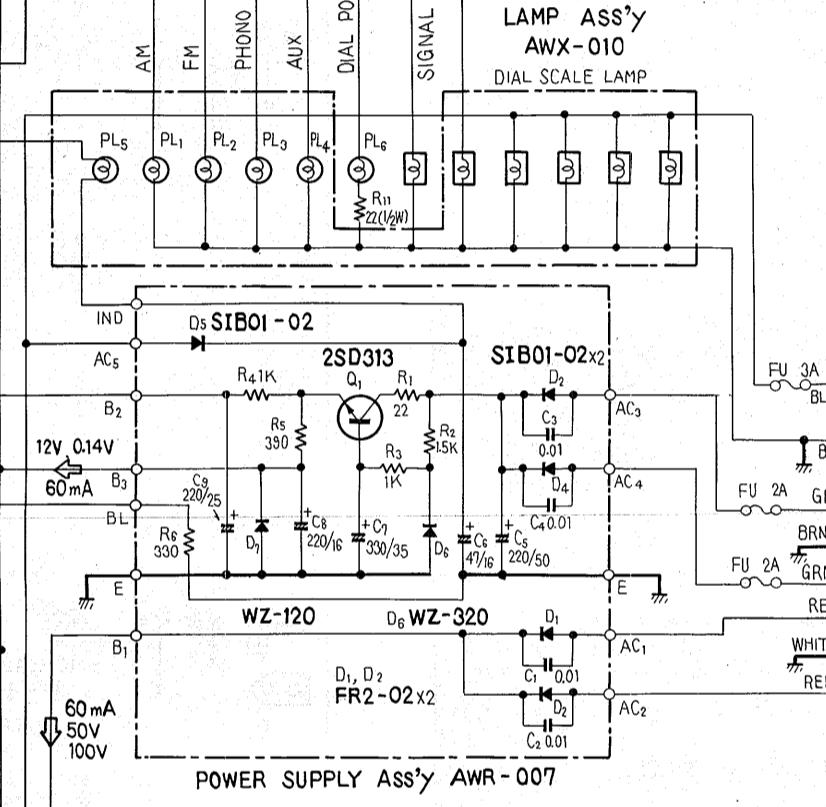
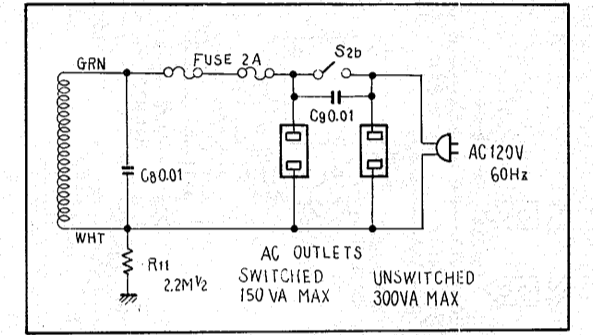
SWITCHES

- S₁ INPUT SELECTOR (ASC-019)
 1. AM
 2. FM MONO
 3. FM AUTO
 4. FM MPX NOISE FILTER
 5. PHONO/MIC
 6. AUX
- S₂ OUTPUT SELECTOR with POWER SWITCH (ASA-018)
 1. POWER OFF
 2. A
 3. SPKR OFF
 4. B
 5. A + B
- S₃ FM DE-EMPHASIS SWITCH 75μs or 50μs (at 50μs Position)

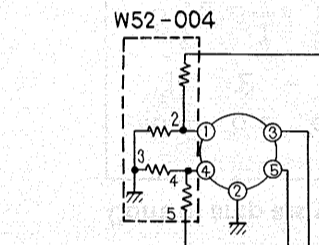
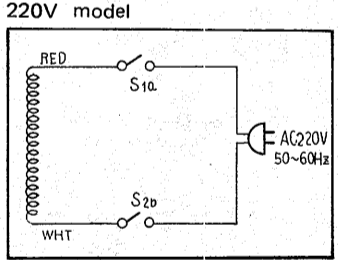
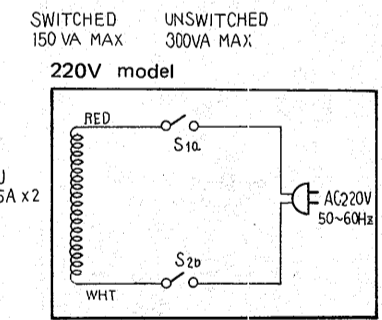
RESISTORS
± 10% TOLERANCE P-TYPE CARBON 1/4WATT UNLESS NOTED.
NON MARK : OHM K : KILO OHM

CAPACITORS
NON MARK : MICRO FARAD
NON MARK : MYLAR

V : SIGNAL VOLTAGE AT 22W/8Ω (at 1KHz)
V : NO INPUT SIGNAL DC VOLTAGE
NO INPUT SIGNAL DC CURRENT
V : RIPPLE VOLTAGE
120V model



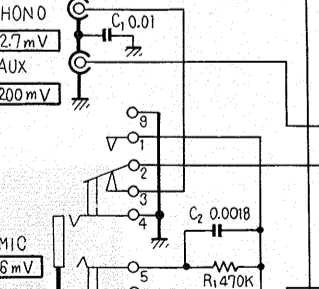
POWER SUPPLY ASS'Y AWR-007



- REC 1 200mV
- MON 1 200mV
- REC 2 200mV
- MON 2 200mV

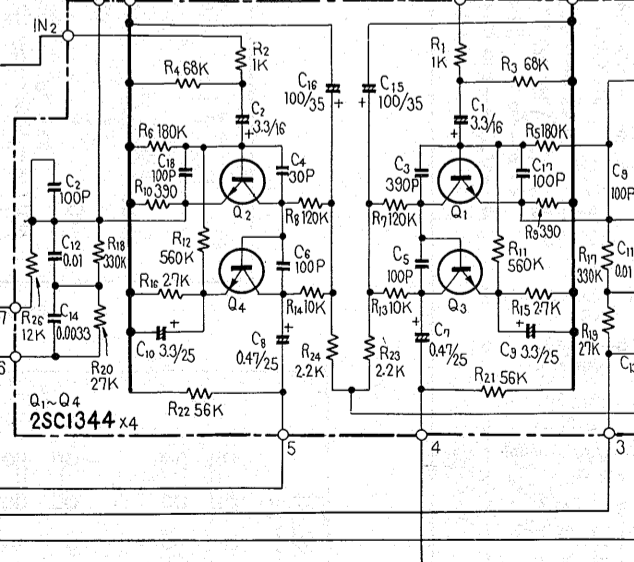
- REC 1
- MON 1
- REC 2
- MON 2

SWITCH ASS'Y AWS-015

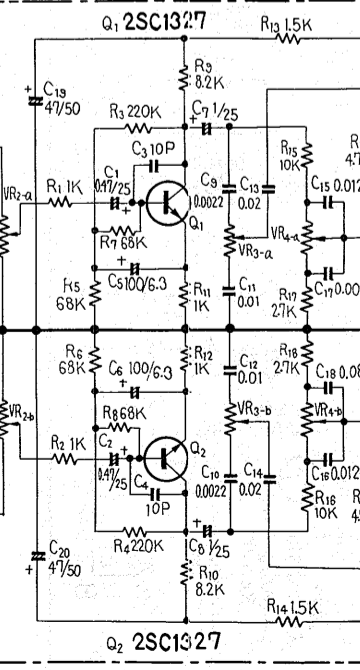


- PHONO 2.7mV
- AUX 200mV

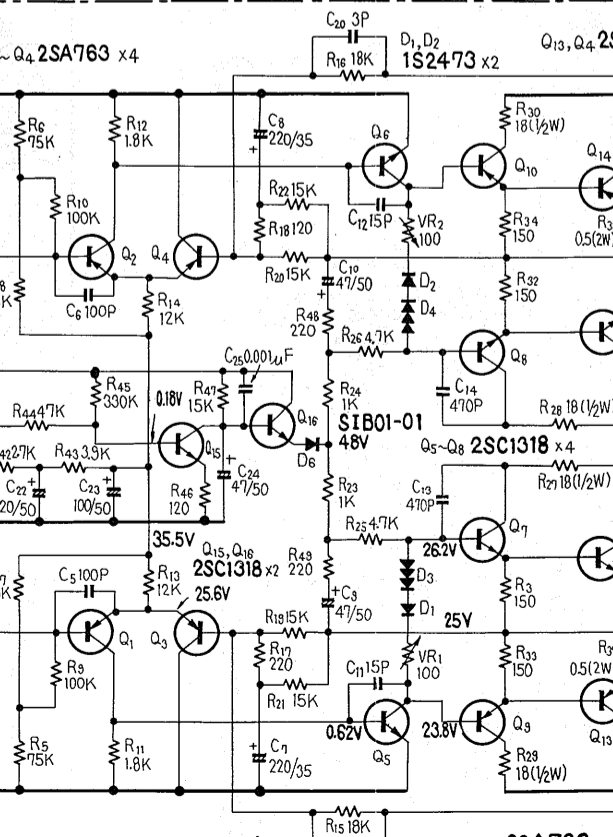
HEAD AMP ASS'Y AWF-003



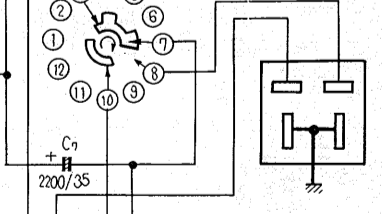
CONTROL AMP ASS'Y AWG-011



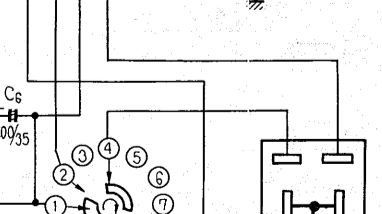
MAIN AMP ASS'Y AWH-006 (NBW model AWH-012)



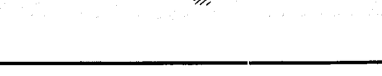
SPEAKER A [22W/8Ω]



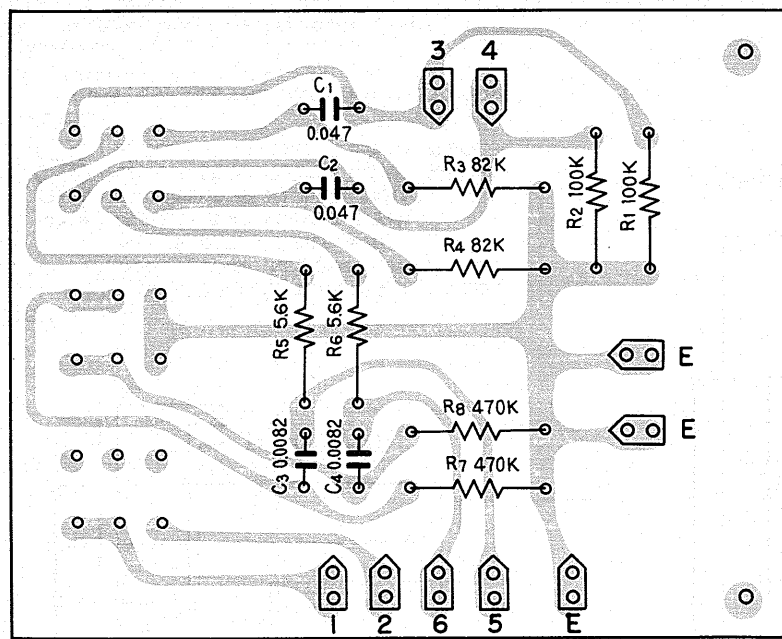
HEADPHONE JACK [145mV/1W]



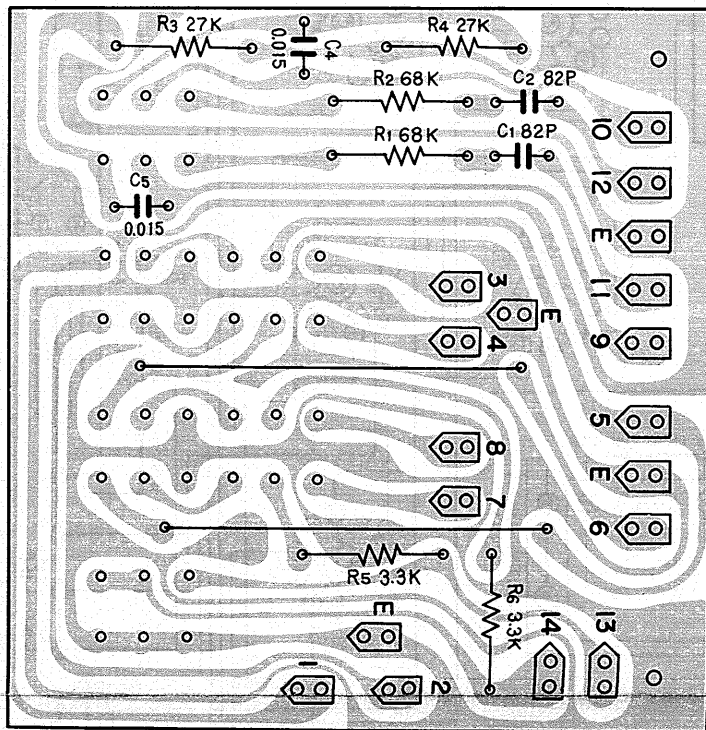
SPEAKER B



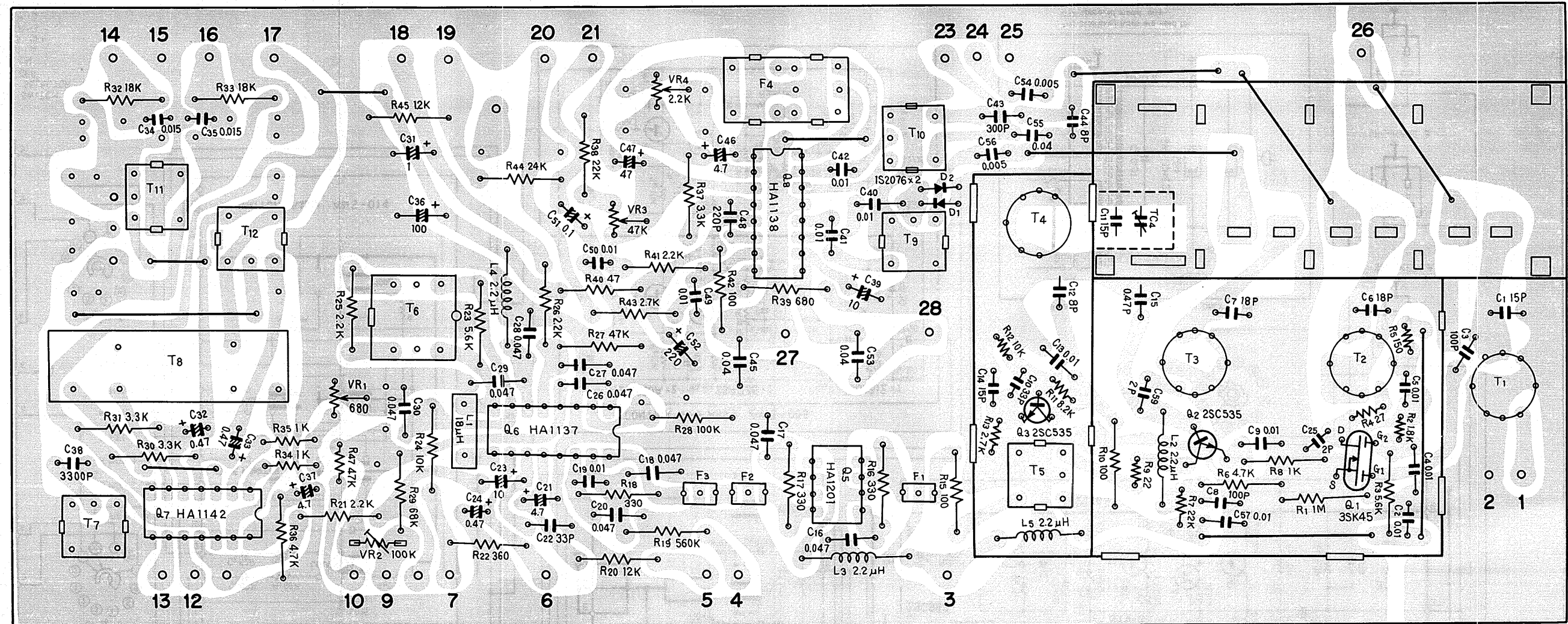
Switch circuit ass'y AWS-013



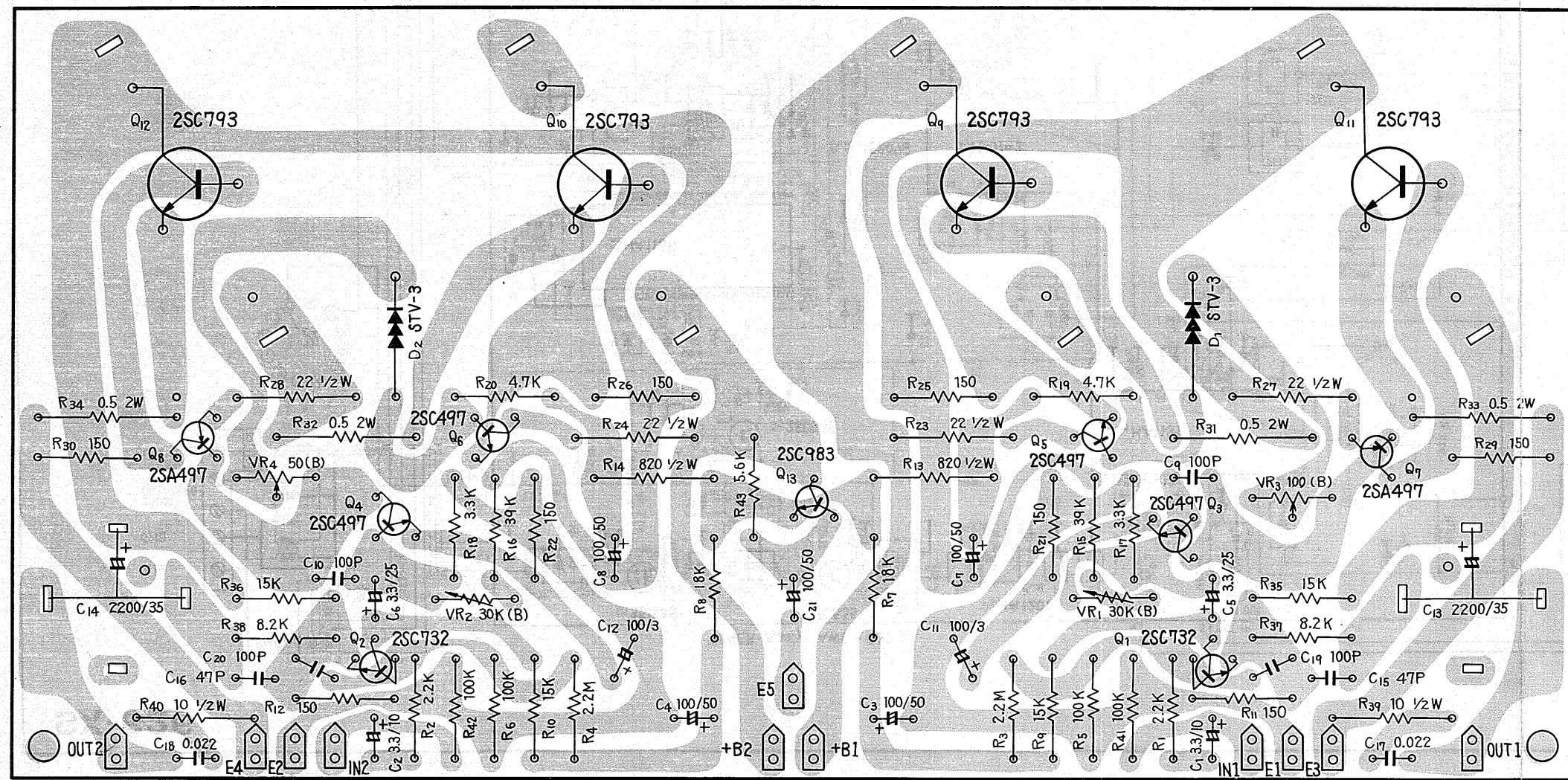
Switch circuit ass'y AWS-014



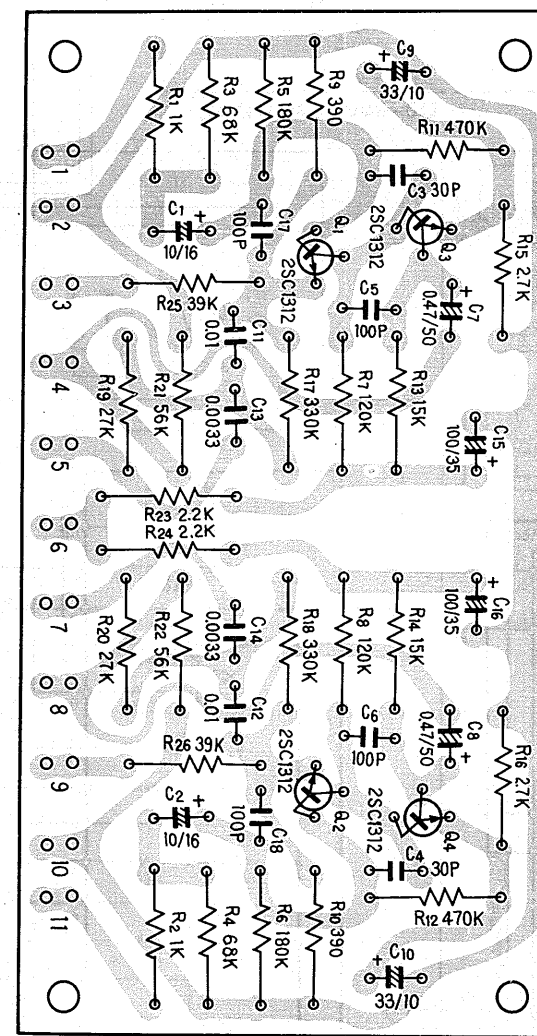
Tuner ass'y AWE-031



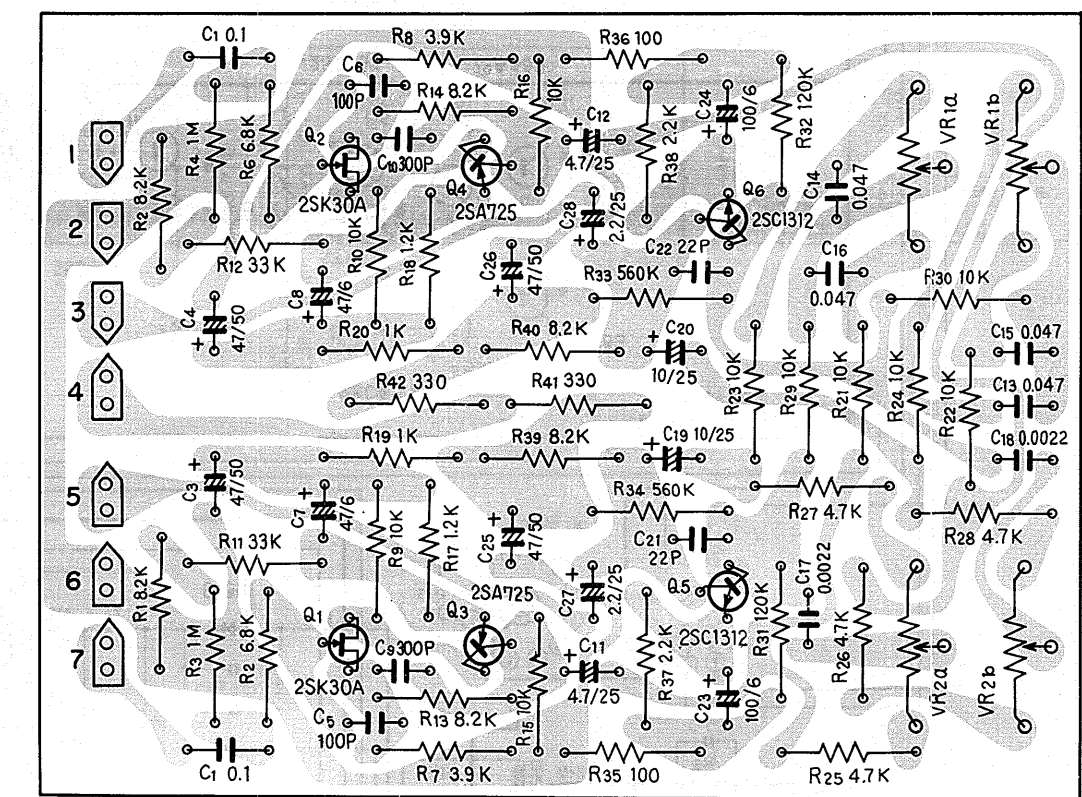
Power amp ass'y AWH-002



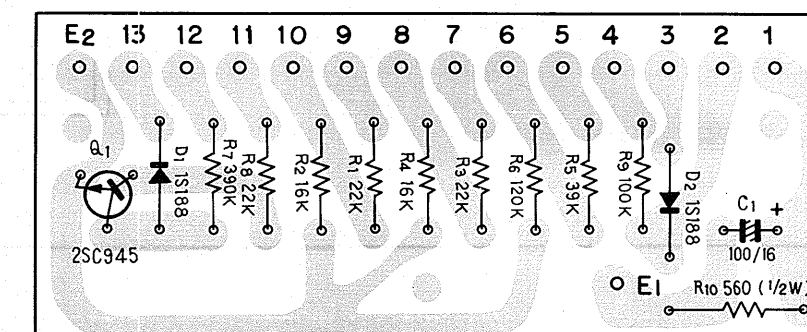
Equalizer amp ass'y W21-004



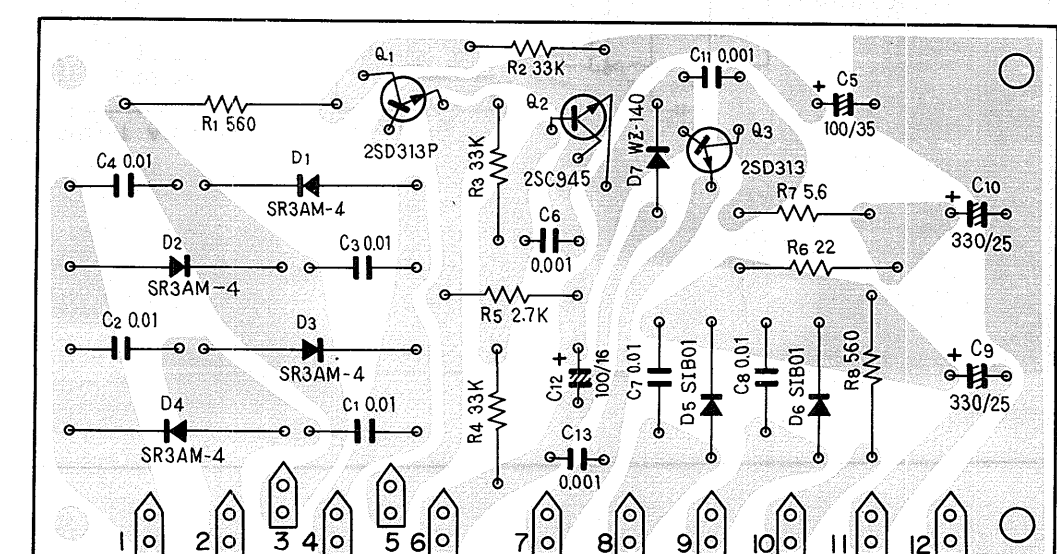
Control amp ass'y AWG-008



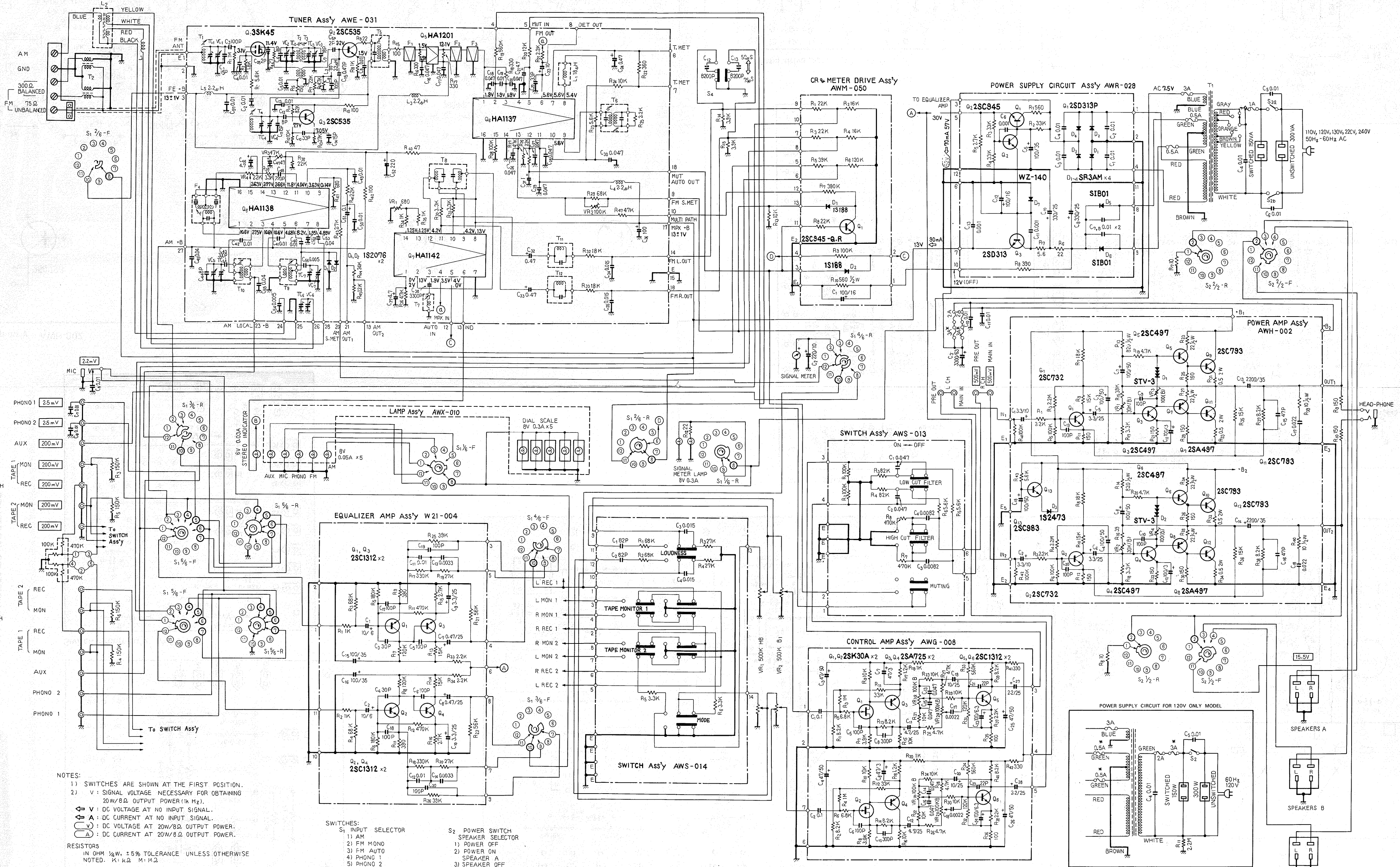
CR, meter drive ass'y AWM-050



Power supply ass'y AWR-029



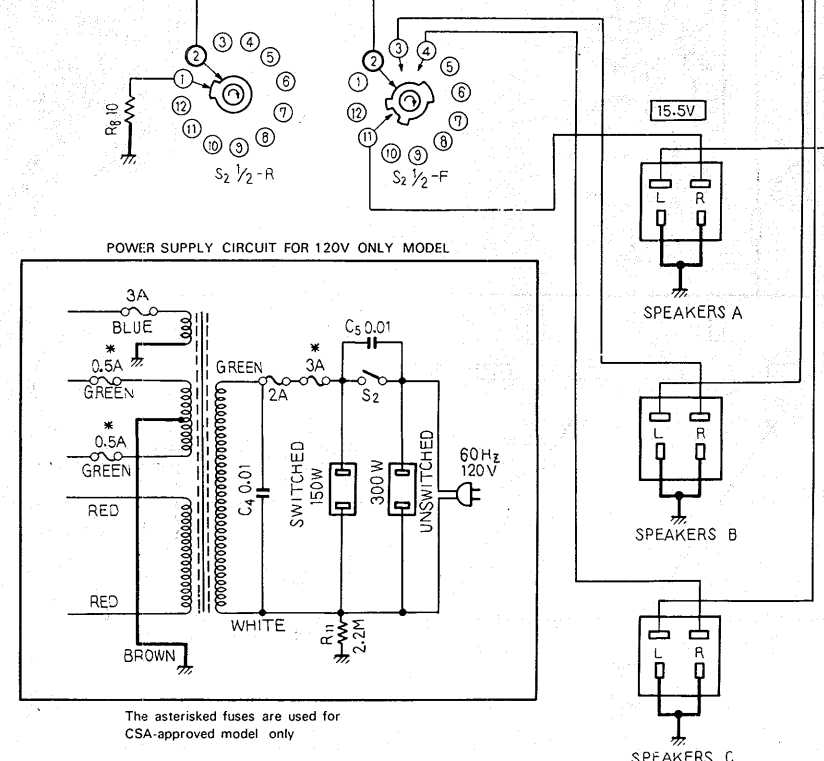
SX-626



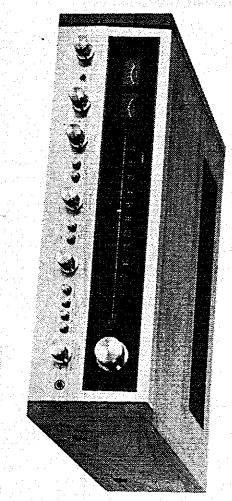
NOTES:
 1) SWITCHES ARE SHOWN AT THE FIRST POSITION.
 2) V : SIGNAL VOLTAGE NECESSARY FOR OBTAINING 20W/8Ω OUTPUT POWER (1k Hz).
 ⚡ : DC VOLTAGE AT NO INPUT SIGNAL.
 ⚡ : DC VOLTAGE AT 20W/8Ω OUTPUT POWER.
 ⚡ : DC CURRENT AT 20W/8Ω OUTPUT POWER.

RESISTORS
 IN OHM 1/4W. ±5% TOLERANCE UNLESS OTHERWISE NOTED. K-KΩ M-MΩ
 CAPACITORS
 IN μF UNLESS OTHERWISE NOTED. P-pF

SWITCHES:
 S1 INPUT SELECTOR
 1) AM
 2) FM MONO
 3) FM AUTO
 4) PHONO 1
 5) PHONO 2
 6) MIC
 7) AUX
 S2 POWER SWITCH
 1) POWER OFF
 2) POWER ON
 3) SPEAKER A
 4) SPEAKER OFF
 5) SPEAKER B
 6) SPEAKER C
 7) SPEAKER A-C



The asterisked fuses are used for CSA-approved model only

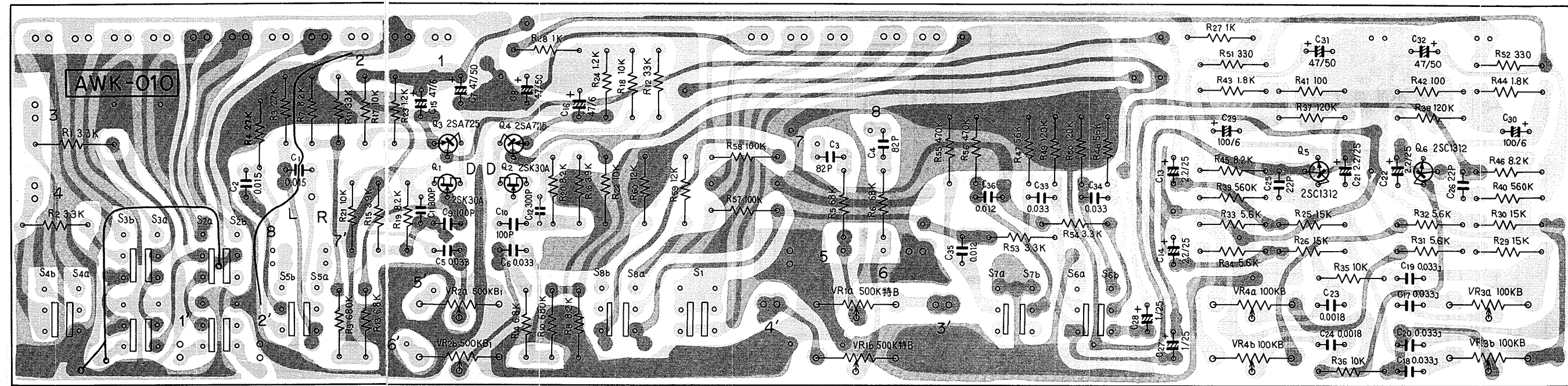


SX-727

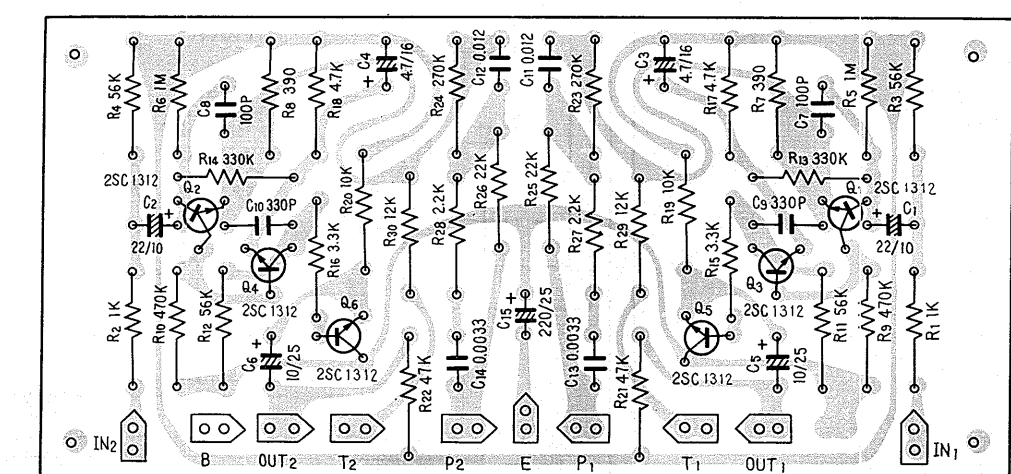
AM/FM STEREO RECEIVER
FVZW FW KCW KUW

5

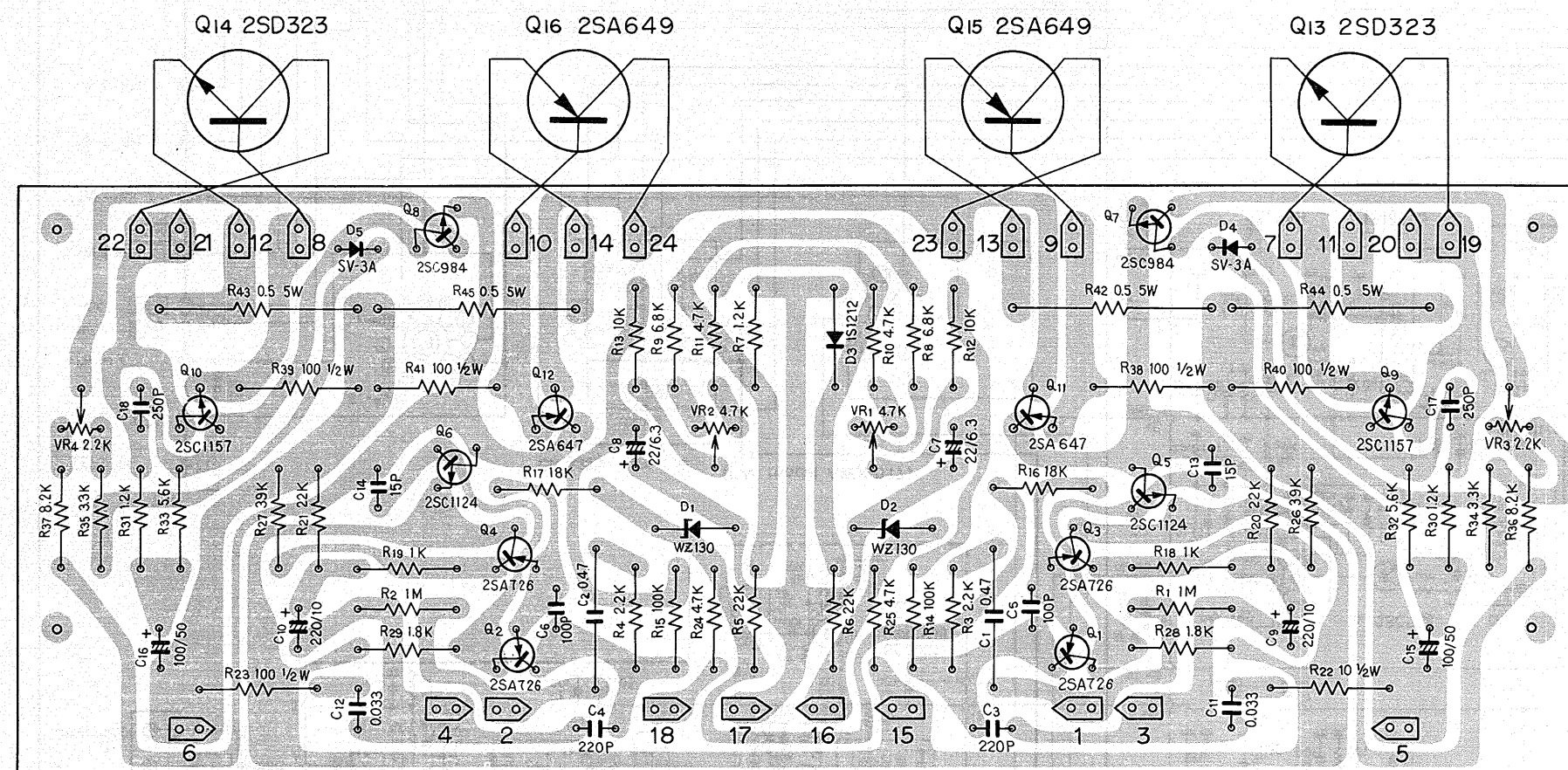
AF amp ass'y AWK-010



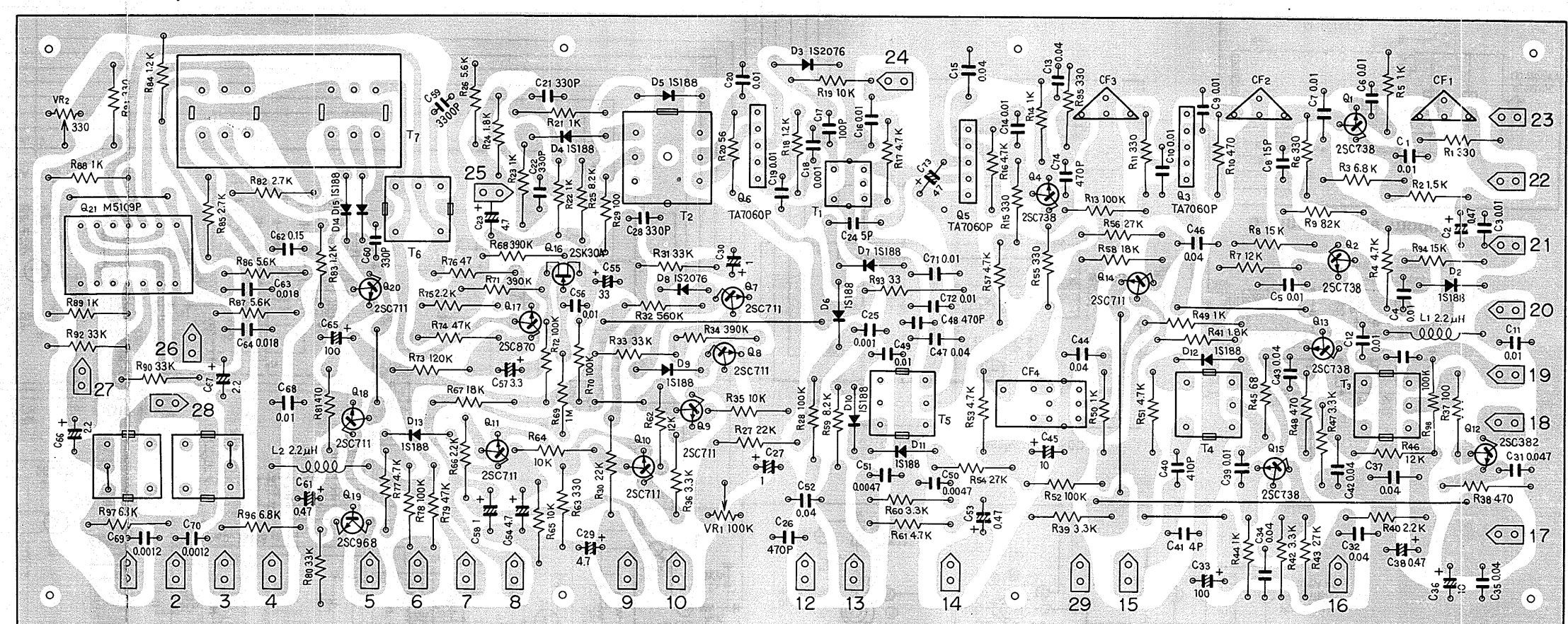
Equalizer amp ass'y W21-002



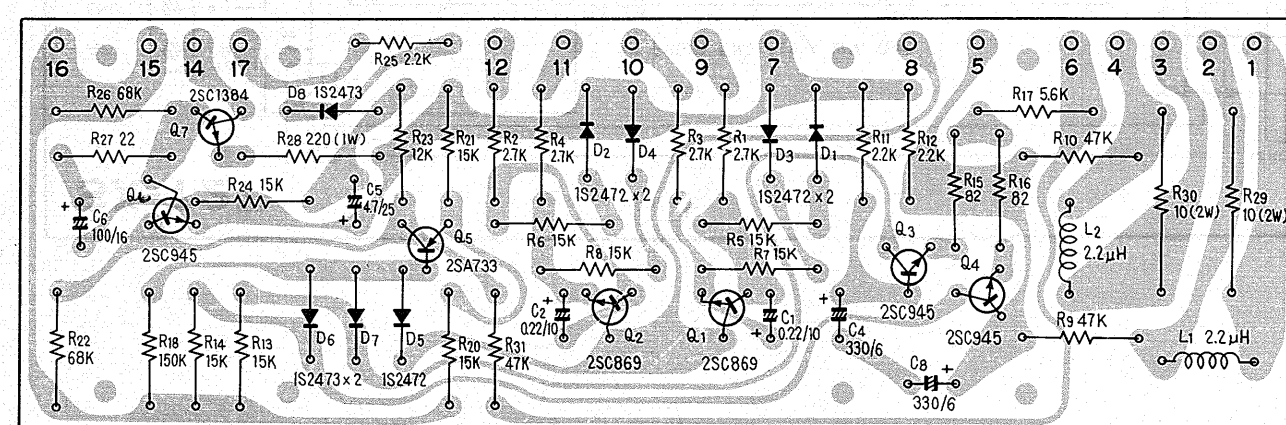
Power amp ass'y AWH-011



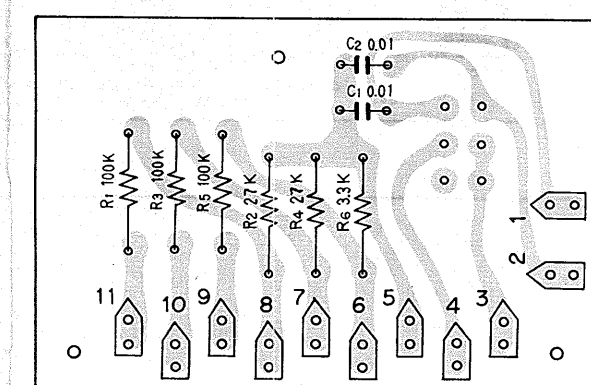
FM, AM tuner ass'y AWE-015



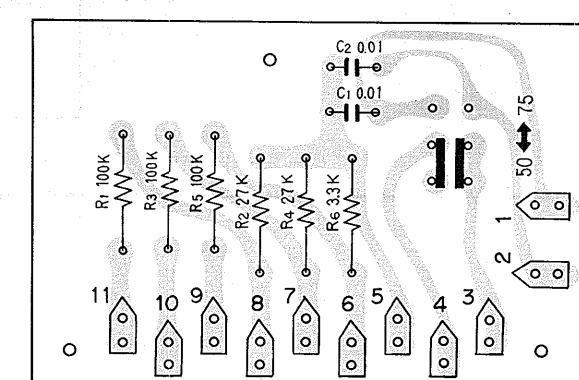
Protection circuit ass'y AWM-027



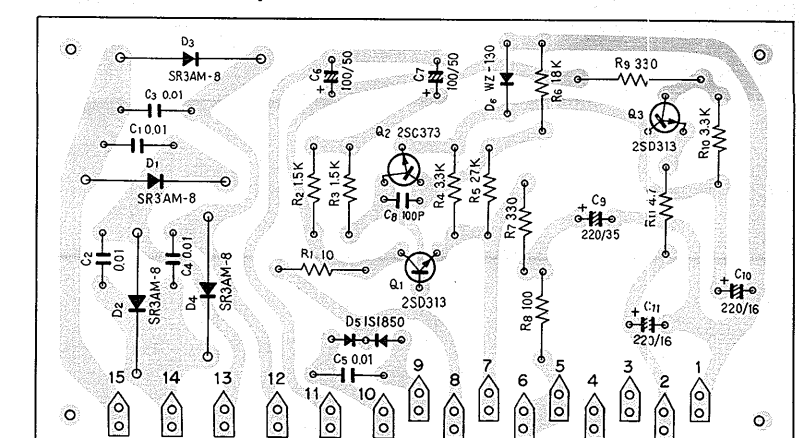
CR ass'y AWX-014 (FVZW, KCW, KUW model)



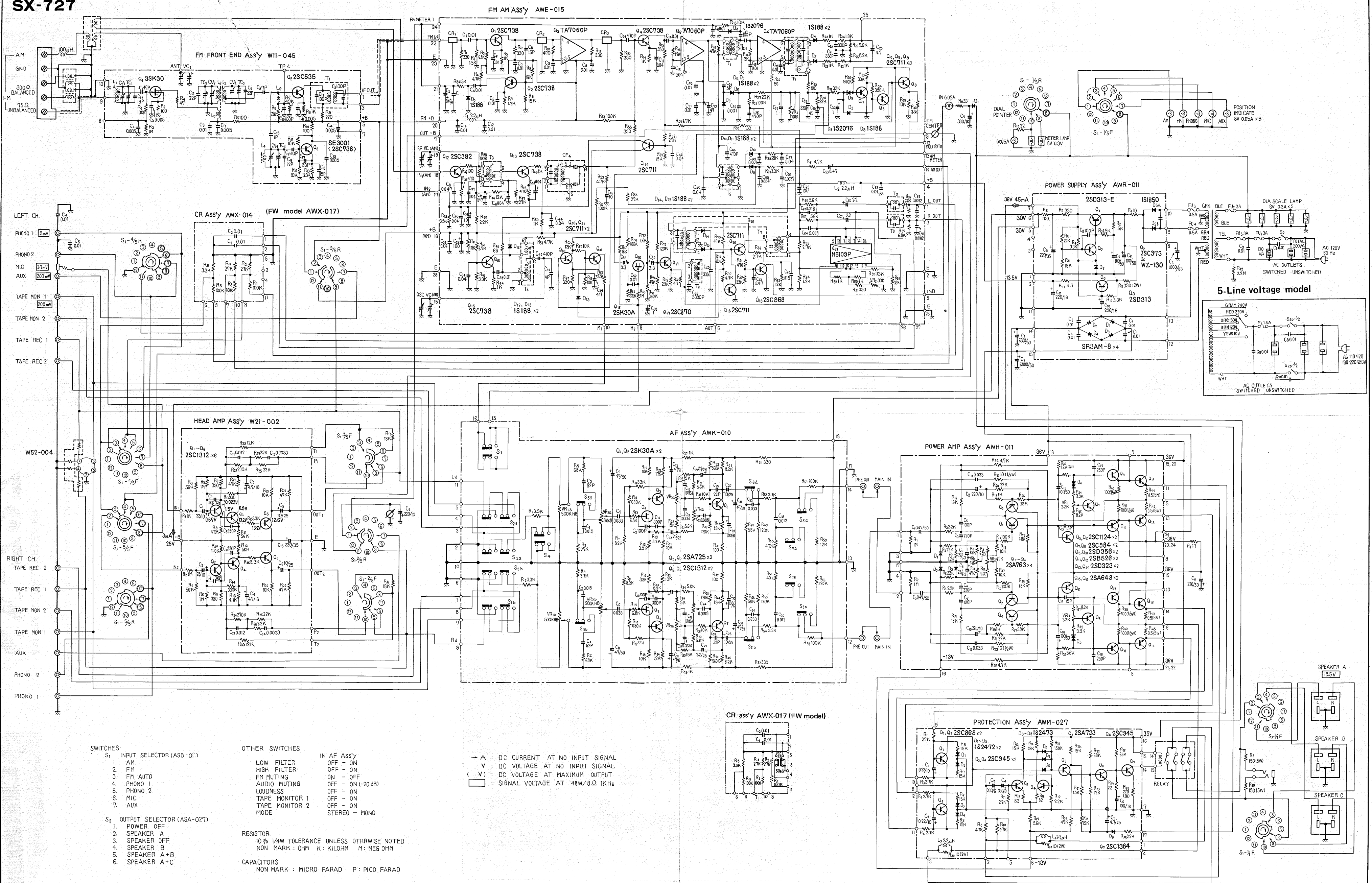
CR ass'y AWX-017 (FW model)



Power supply ass'y AWR-011

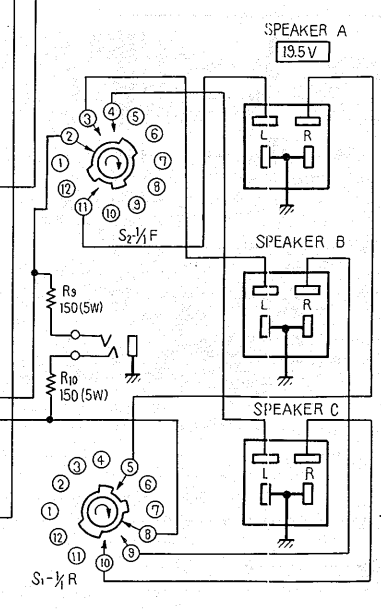
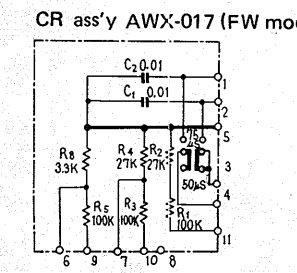


SX-727

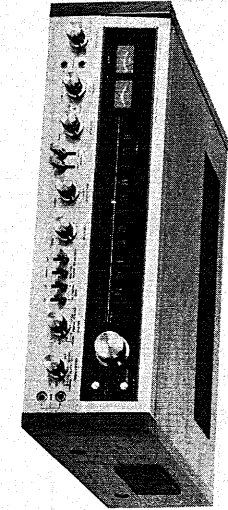


- SWITCHES**
- | | | | | | | | |
|------------------------------|--------------|--------------|----------------|--------------|----------------|----------------|--------|
| S1 INPUT SELECTOR (ASB-011) | 1. AM | 2. FM | 3. FM AUTO | 4. PHONO 1 | 5. PHONO 2 | 6. MIC | 7. AUX |
| S2 OUTPUT SELECTOR (ASA-027) | 1. POWER OFF | 2. SPEAKER A | 3. SPEAKER OFF | 4. SPEAKER B | 5. SPEAKER A+B | 6. SPEAKER A+C | |
- OTHER SWITCHES**
- | | | | | | | |
|------------|-----------|--------------|----------|----------------|----------------|---------------|
| LOW FILTER | FM MUTING | AUDIO MUTING | LOUDNESS | TAPE MONITOR 1 | TAPE MONITOR 2 | MODE |
| OFF - ON | OFF - ON | ON (-20 dB) | OFF - ON | OFF - ON | OFF - ON | STEREO - MONO |
- RESISTOR**
10% 1/4W TOLERANCE UNLESS OTHERWISE NOTED
NON MARK : OHM K : KILOHM M : MEG OHM
- CAPACITORS**
NON MARK : MICRO FARAD P : PICO FARAD

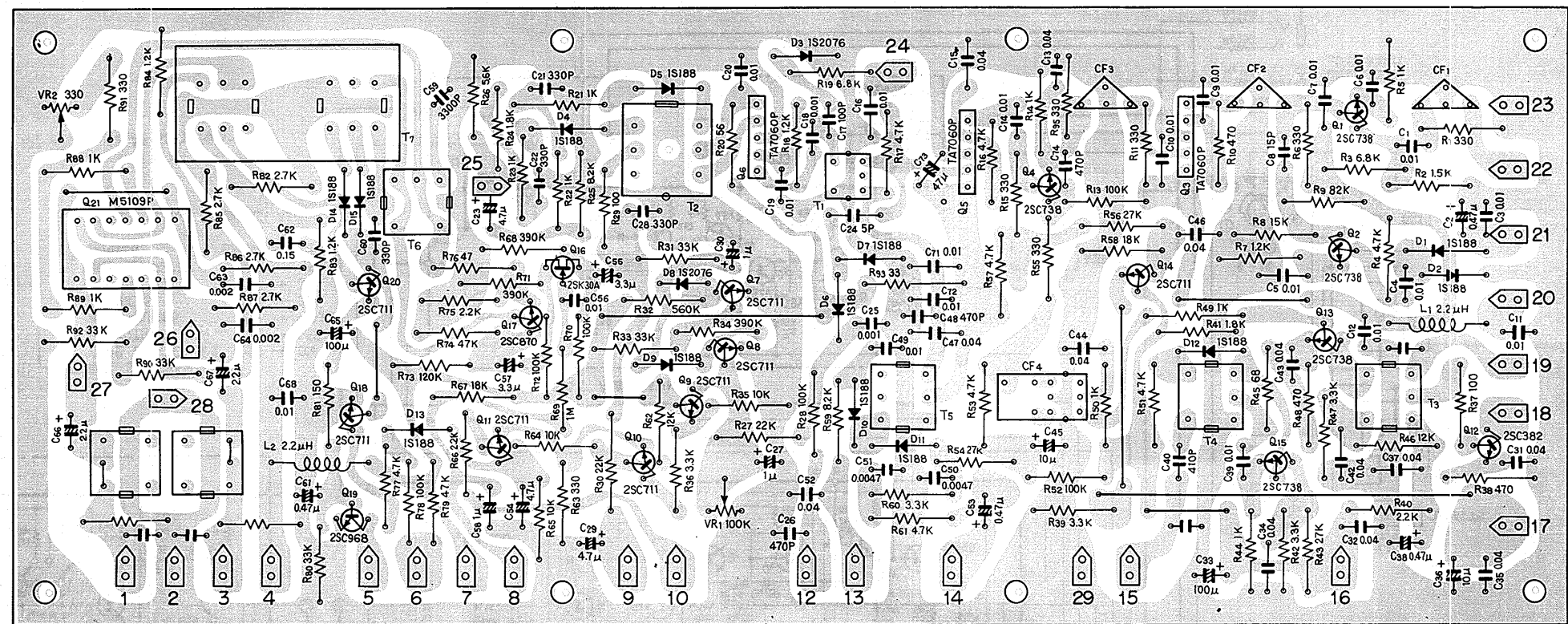
— A : DC CURRENT AT NO INPUT SIGNAL
 V : DC VOLTAGE AT NO INPUT SIGNAL
 (V) : DC VOLTAGE AT MAXIMUM OUTPUT
 □ : SIGNAL VOLTAGE AT 40W/8Ω 1KHz



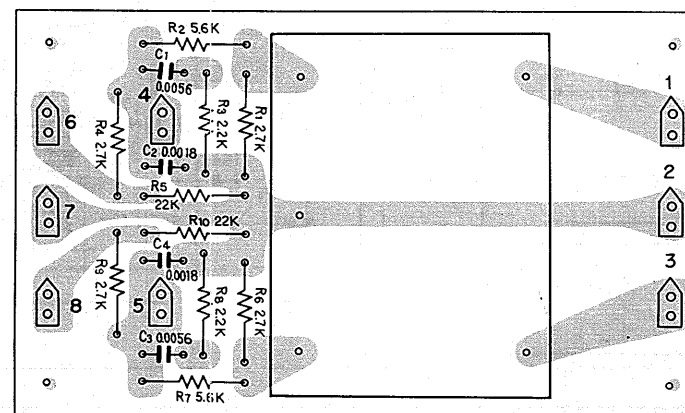
AM/FM STEREO RECEIVER
SX-828
 FW FVZW KCW KUW



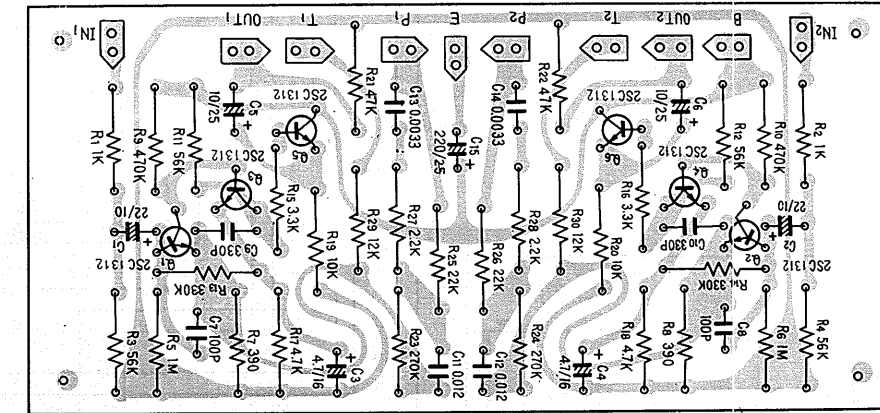
Tuner ass'y AWE-016



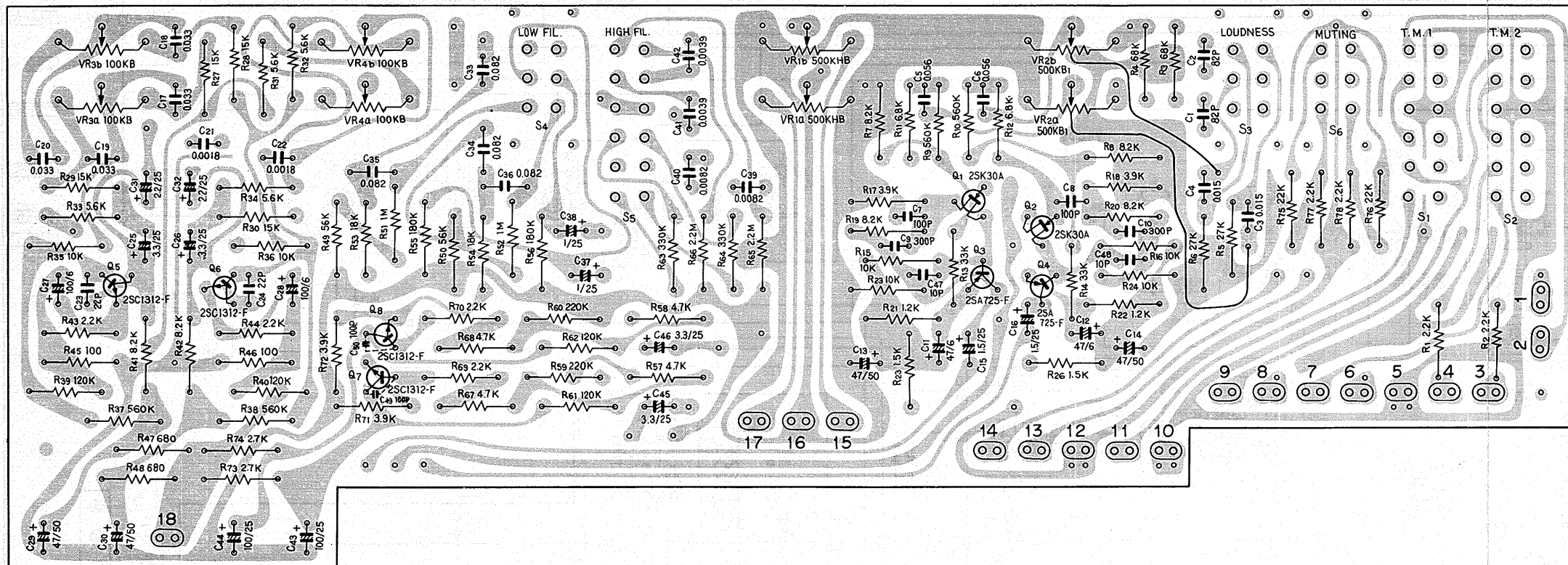
MPX filter ass'y AWX-009



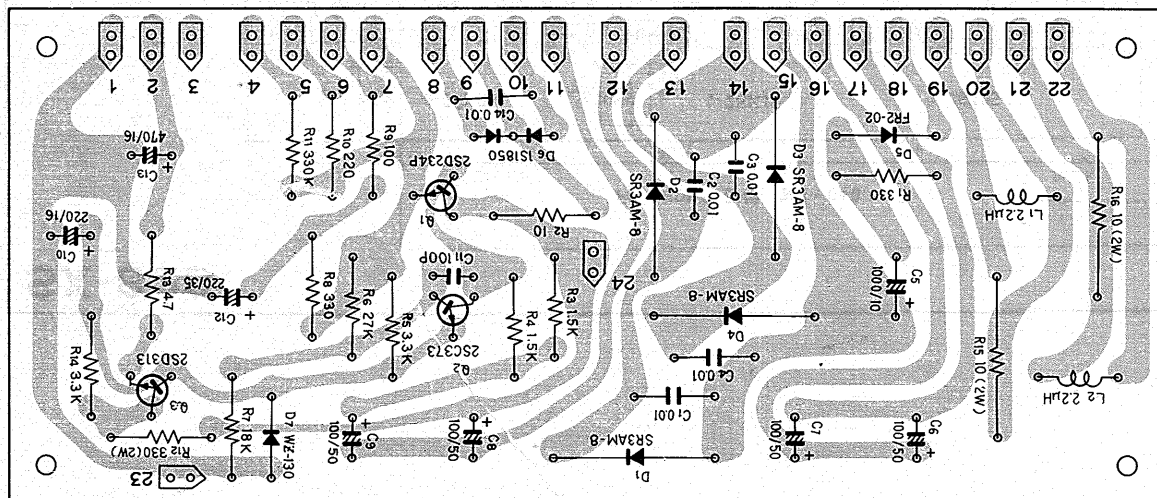
Equalizer amp ass'y W21-002



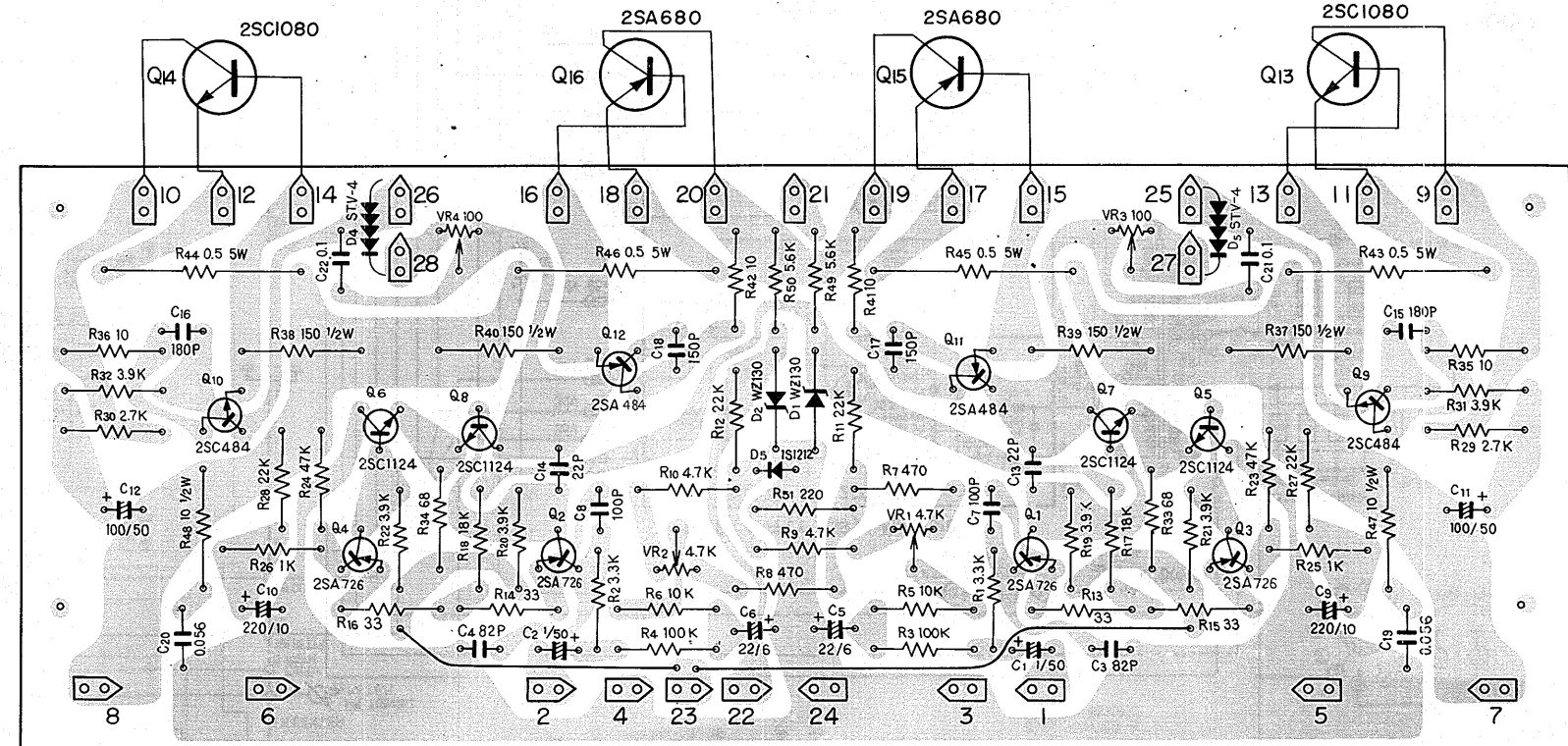
AF amp ass'y AWK-012



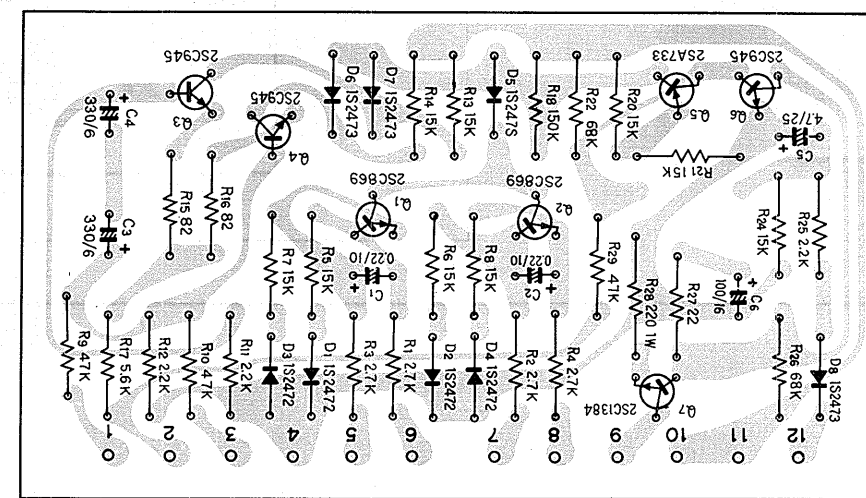
Power supply ass'y AWR-010



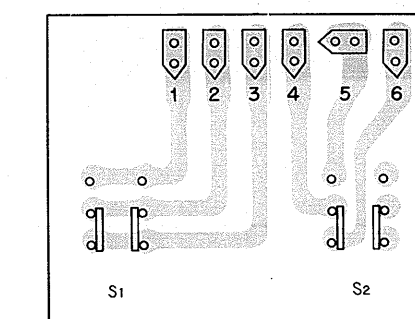
Power amp ass'y AWH-010



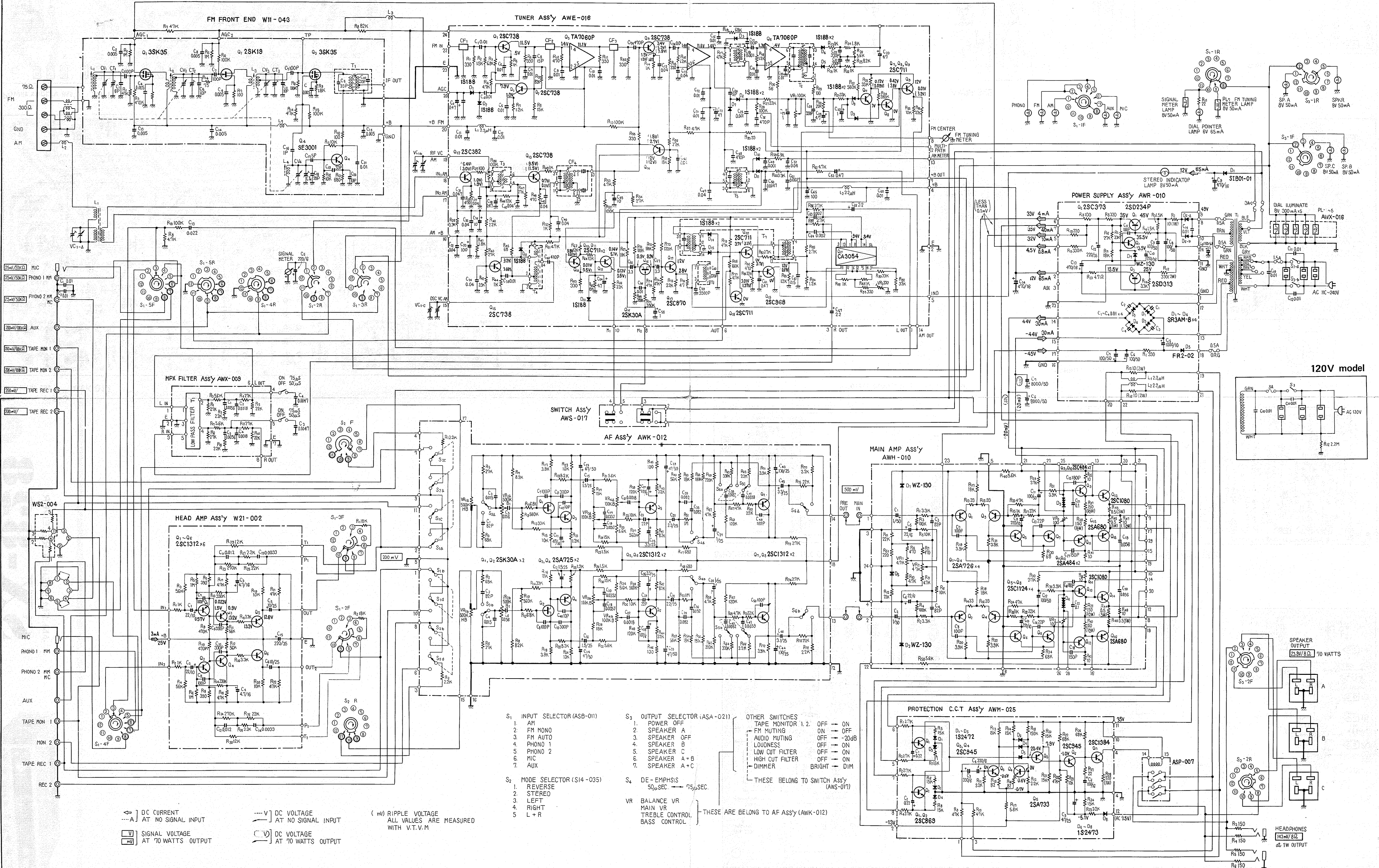
Protection circuit ass'y AWM-025

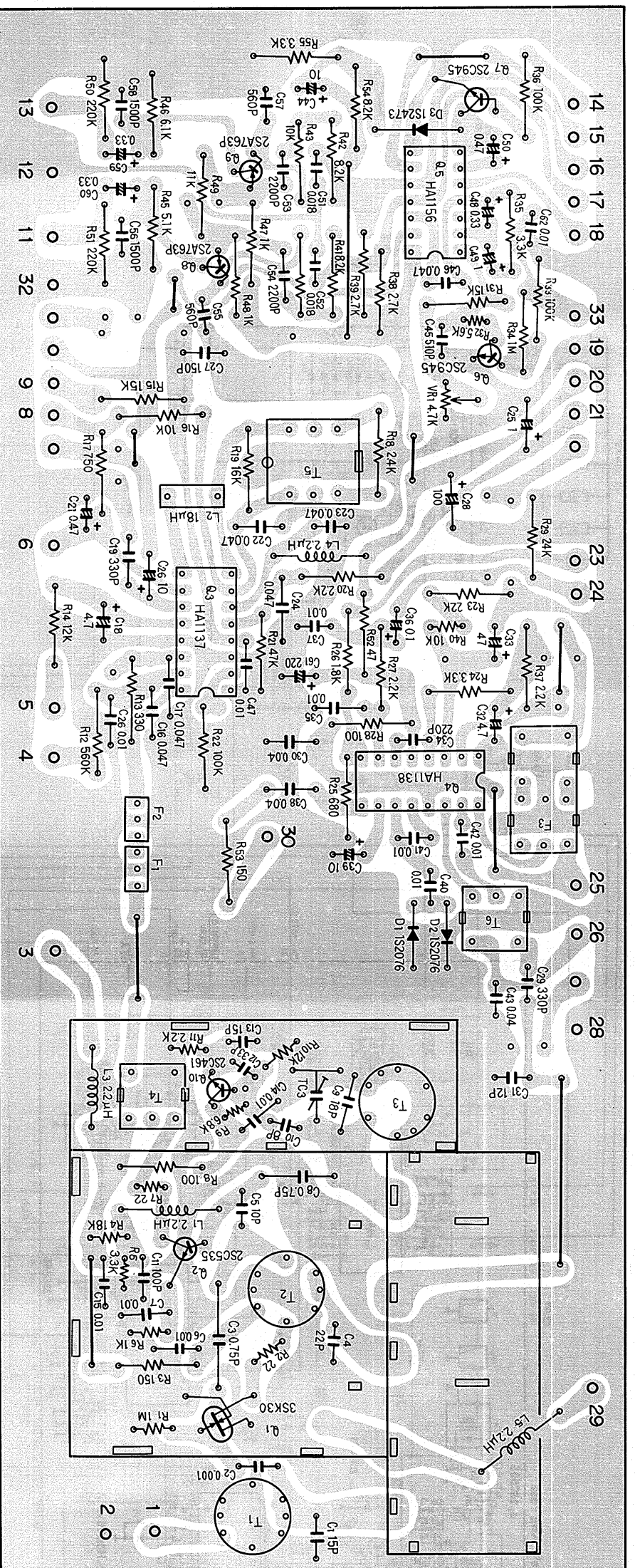


Switch circuit ass'y AWS-017

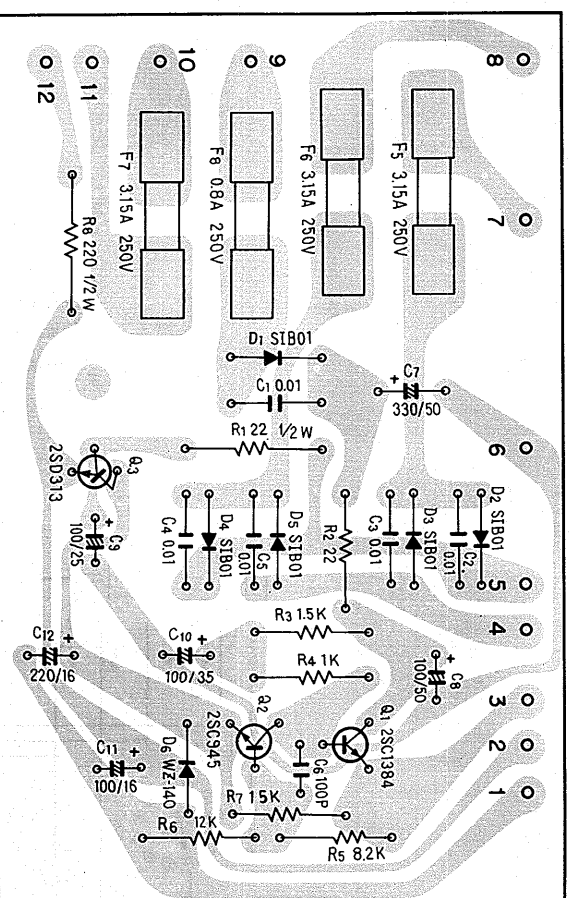


SX-828

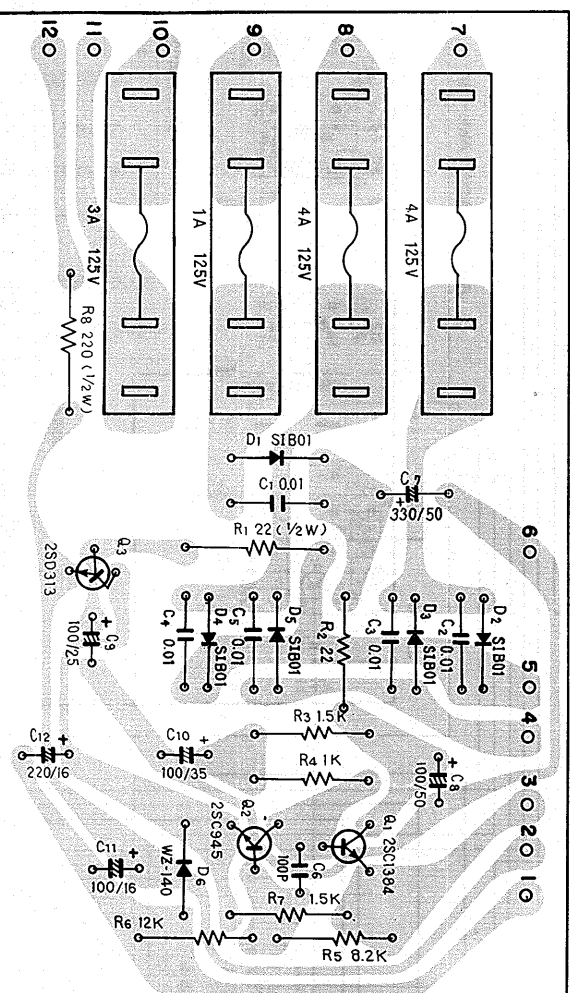




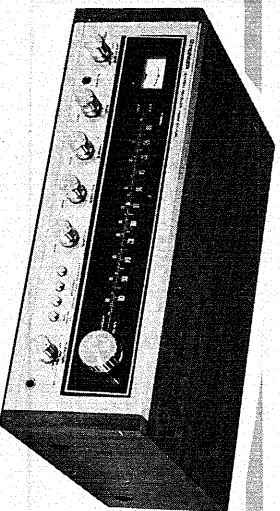
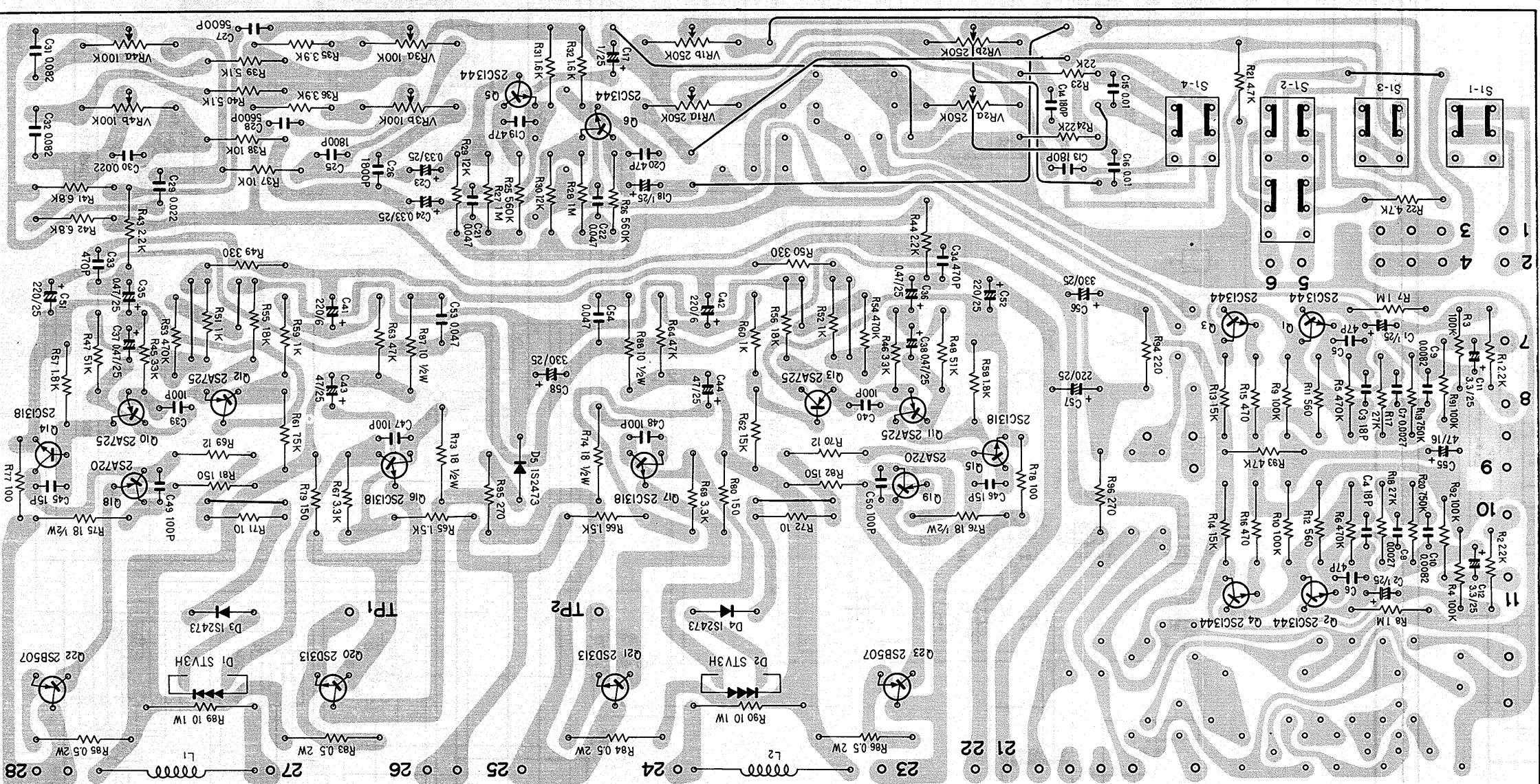
Power supply ass'y AWR-059 (GN model)



Power supply ass'y AWR-062 (FV, KCU model)



AF amp ass'y AWK-034

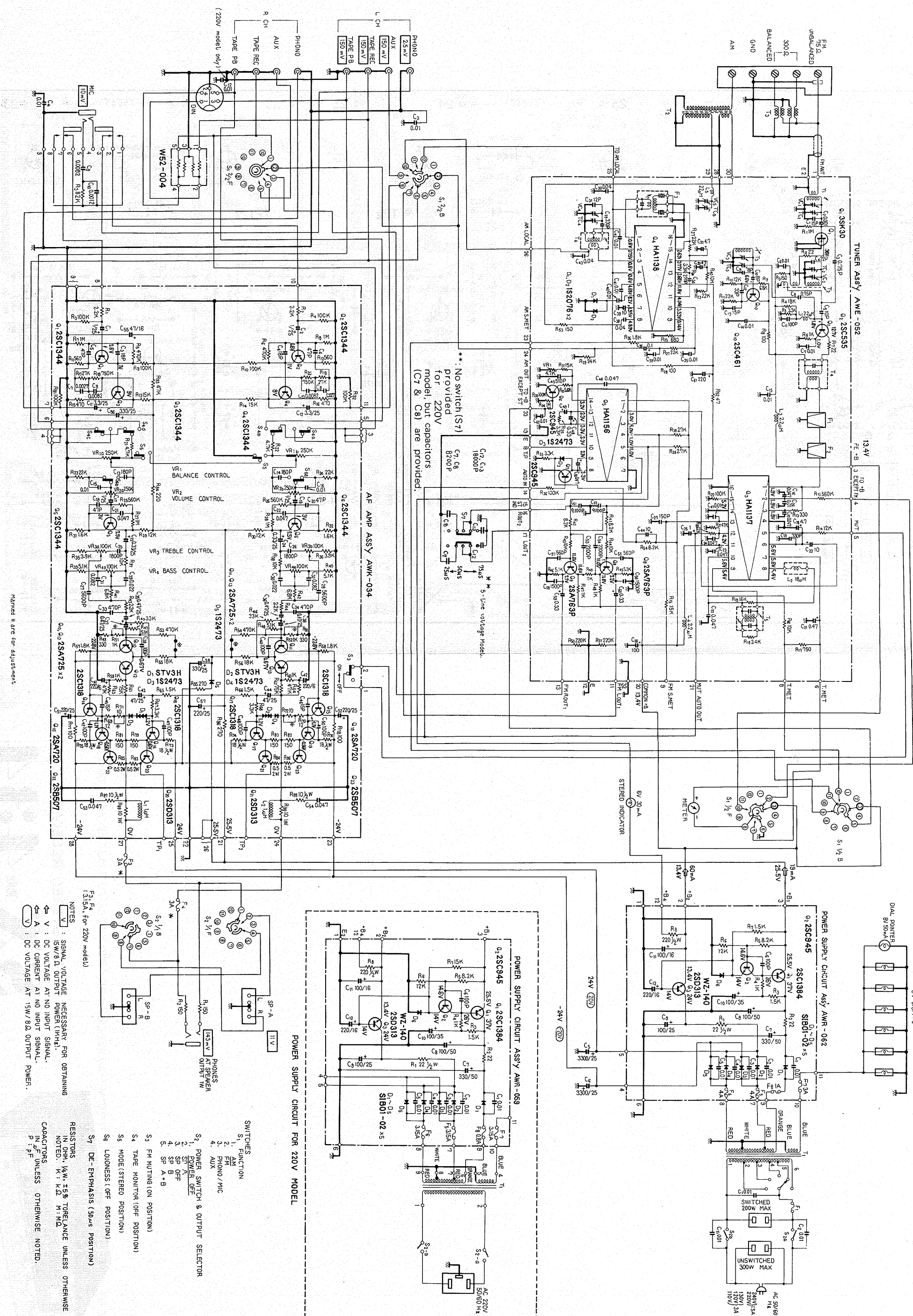
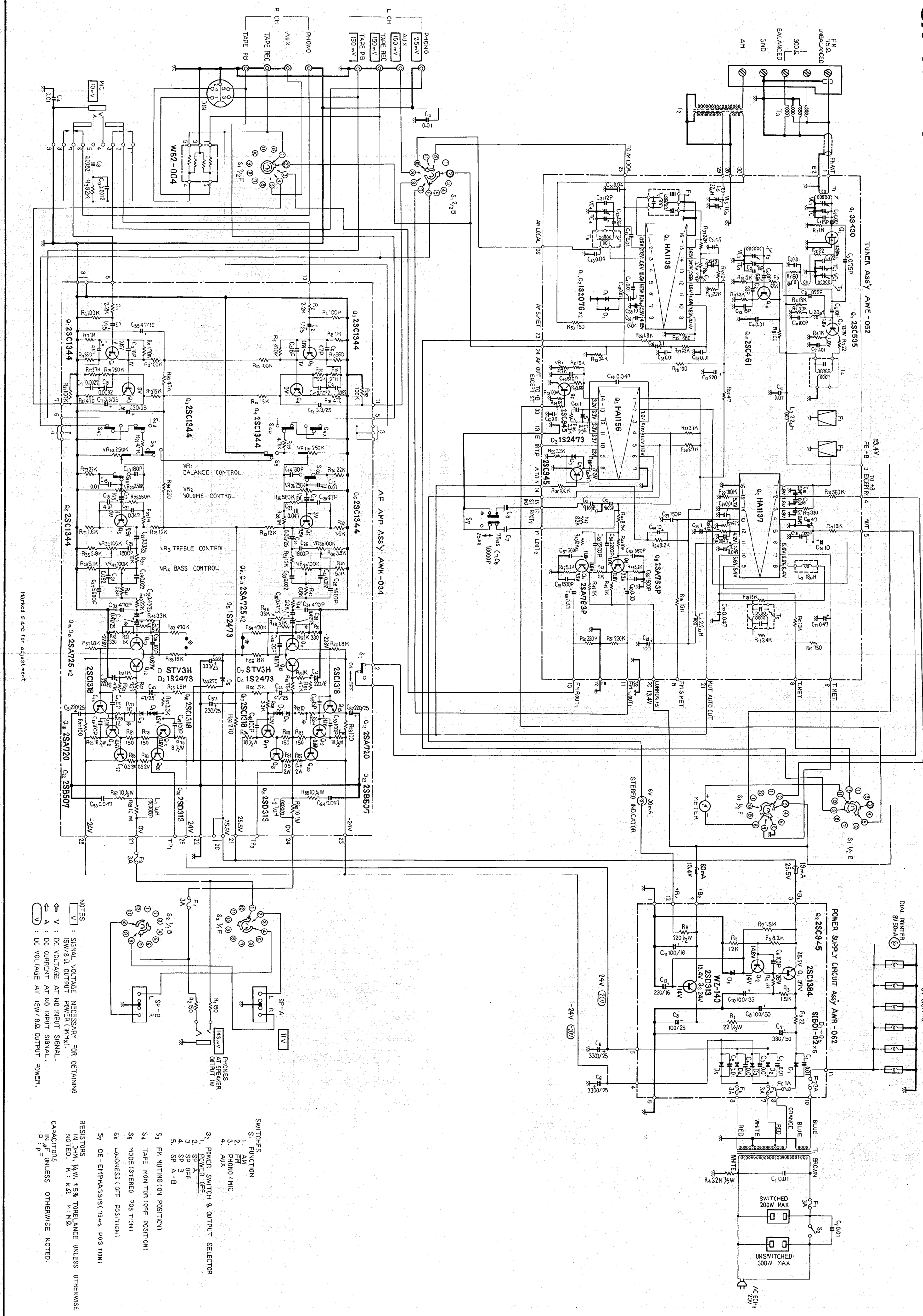


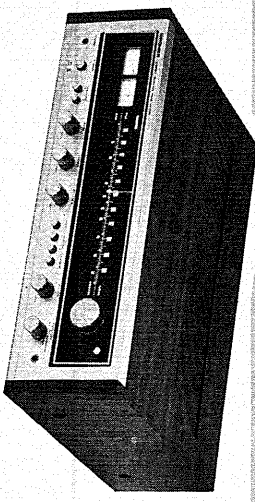
AM/FM STEREO RECEIVER

SX-434

FV GN KCU

7



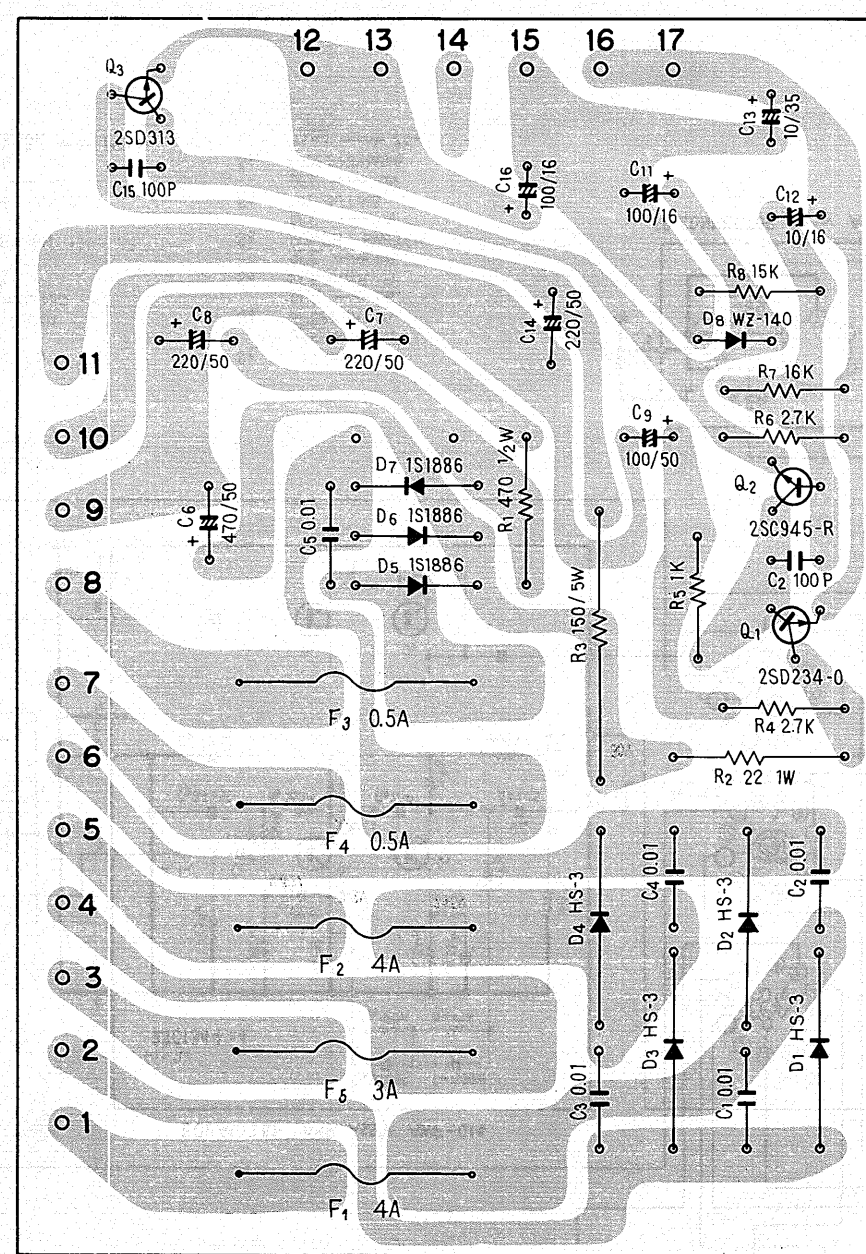


SX-535

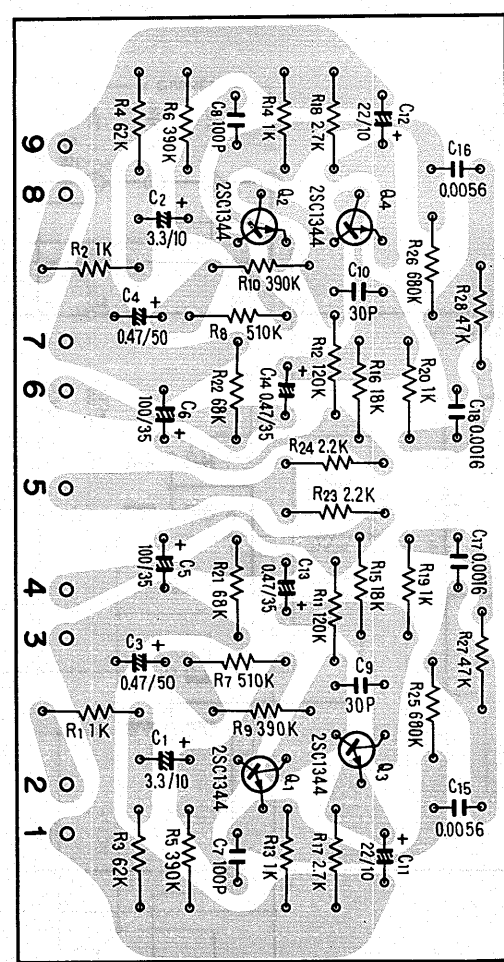
AM/FM STEREO RECEIVER
FV GN KCU

8

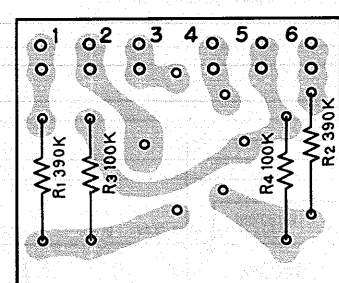
Power supply ass'y AWR-065



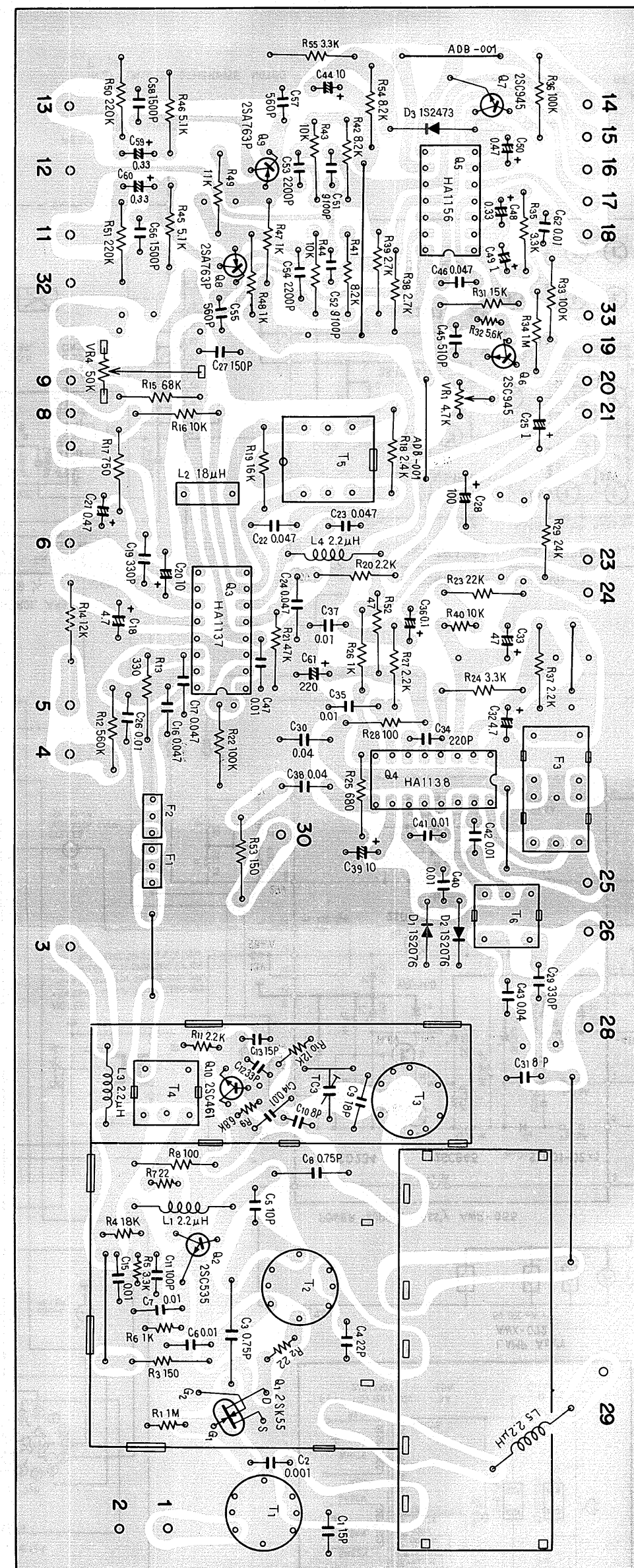
Equalizer amp ass'y AWF-014



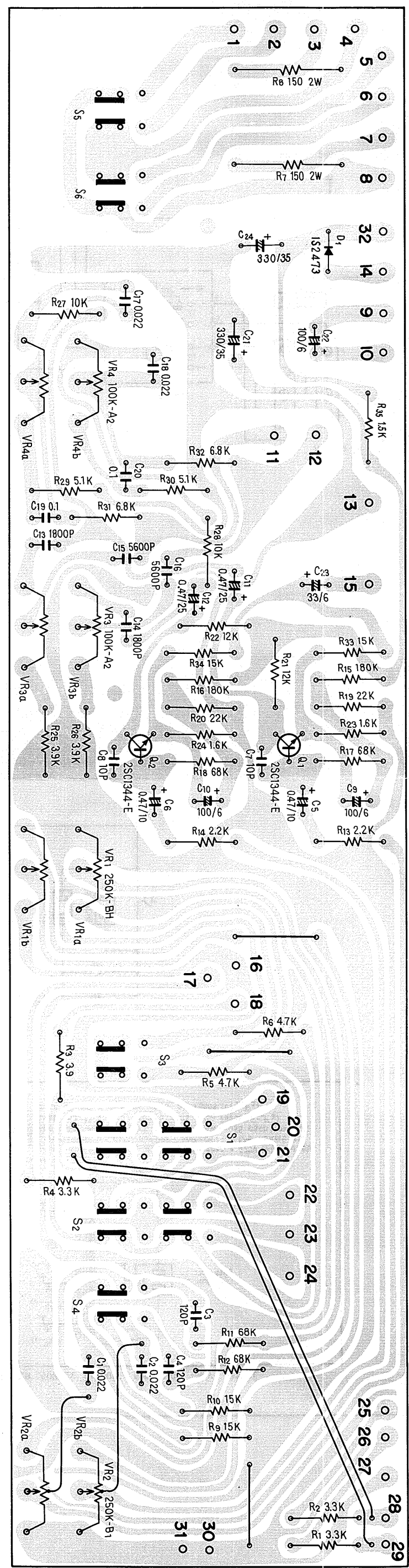
5P connector ass'y AWX-062



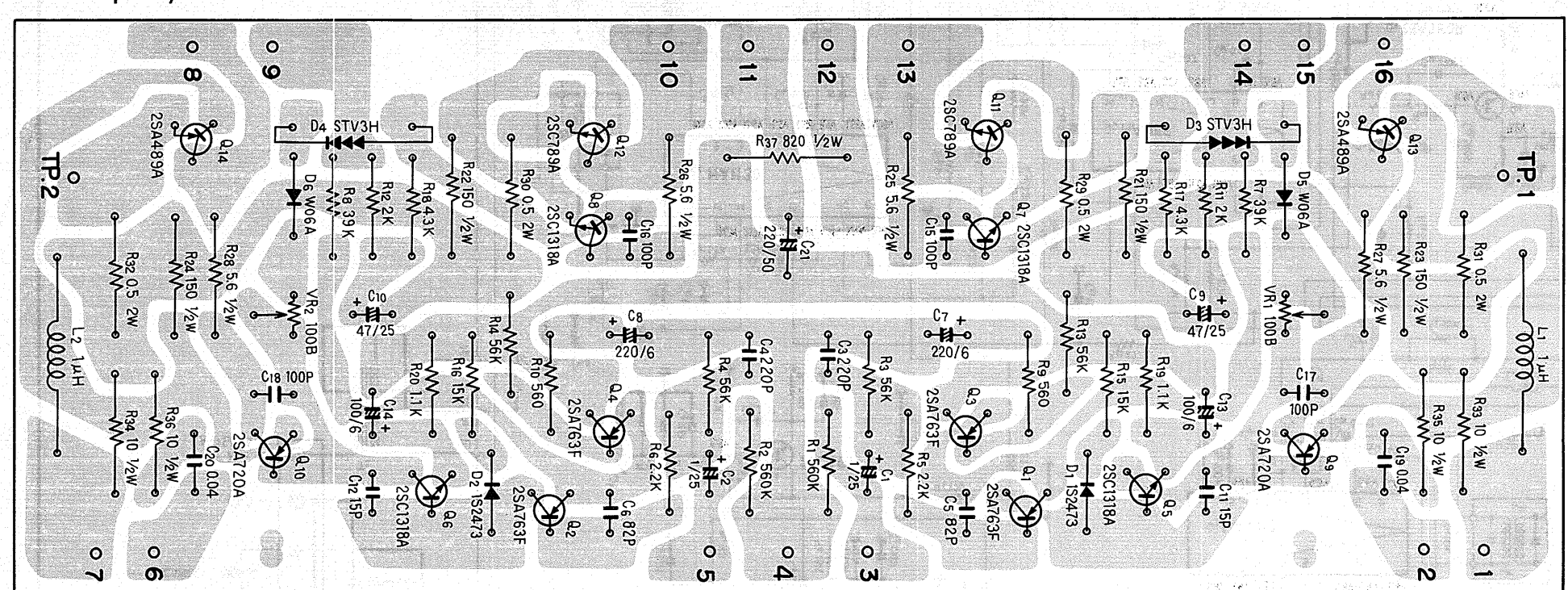
Tuner ass'y AWE-046



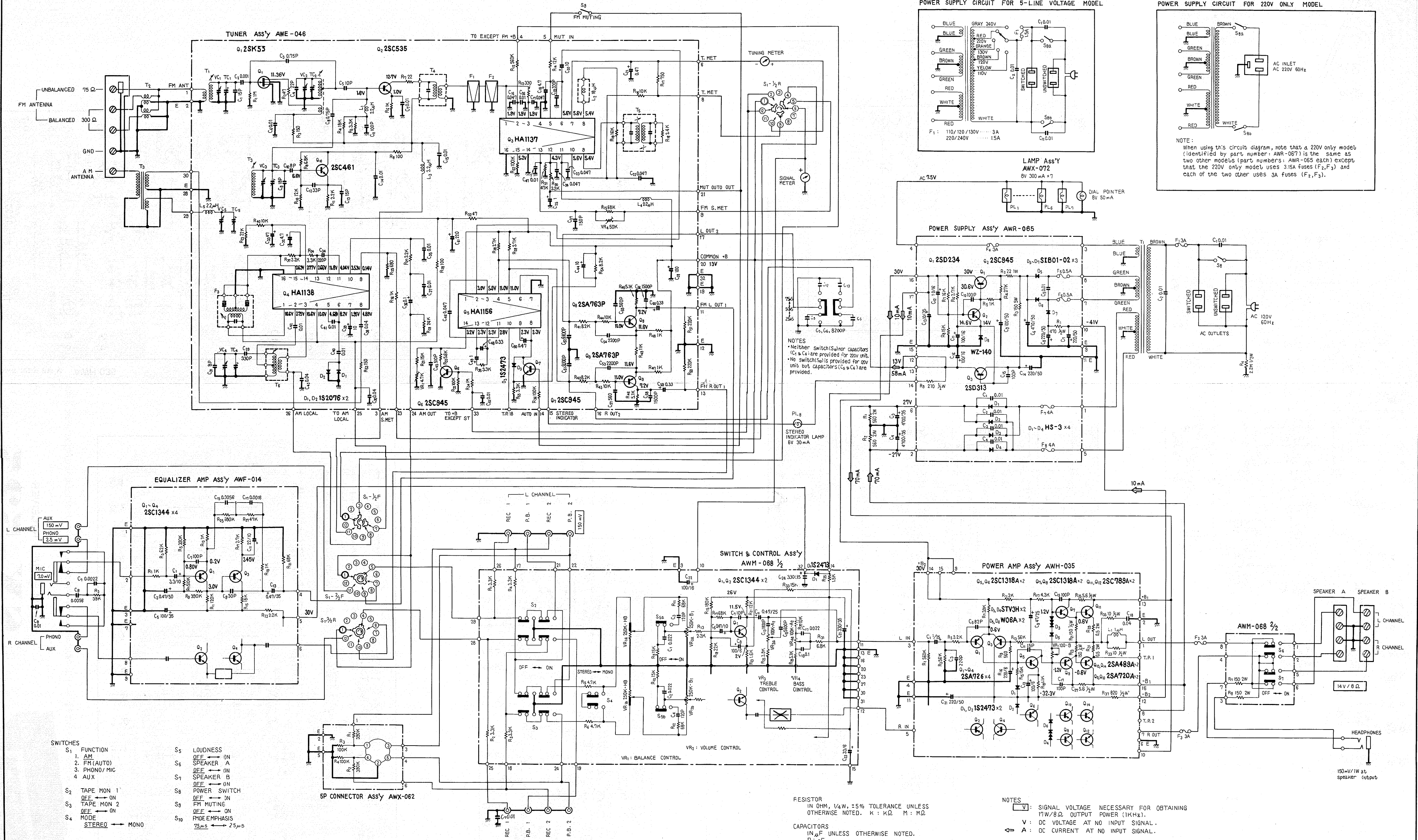
Switch and control ass'y AWM-068



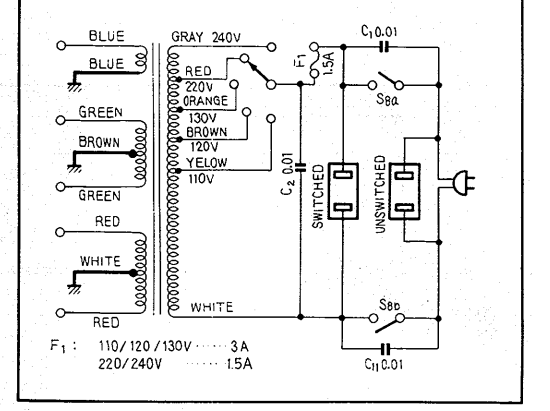
Power amp ass'y AWH-035



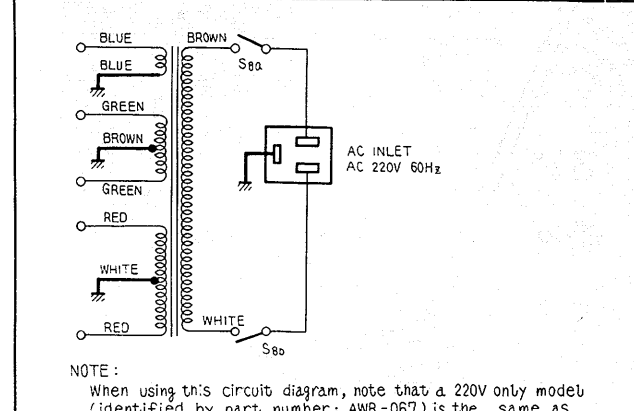
SX-535



POWER SUPPLY CIRCUIT FOR 5-LINE VOLTAGE MODEL



POWER SUPPLY CIRCUIT FOR 220V ONLY MODEL



NOTE:
When using this circuit diagram, note that a 220V only model (identified by part number: AWR-067) is the same as two other models (part numbers: AWR-065 each) except that the 220V only model uses 3.15A fuses (F2, F3) and each of the two other uses 3A fuses (F2, F3).

NOTES
• Neither switch (Sajnor capacitors (C1 & C2) are provided for 220V unit.
• No switch (S1) is provided for 220V unit but capacitors (C1 & C2) are provided.

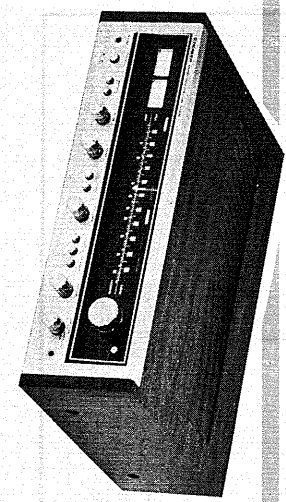
RESISTOR
IN OHM, 1/4W, 5% TOLERANCE UNLESS OTHERWISE NOTED. K: KΩ M: MΩ

CAPACITORS
IN μF UNLESS OTHERWISE NOTED. P: pF

NOTES
V: SIGNAL VOLTAGE NECESSARY FOR OBTAINING 1W/8Ω OUTPUT POWER (1KH±).
V: DC VOLTAGE AT NO INPUT SIGNAL.
A: DC CURRENT AT NO INPUT SIGNAL.

- SWITCHES
- S1 FUNCTION
1. AM
2. FM (AUTO)
3. PHONO/MIC
4. AUX
 - S2 TAPE MON 1
OFF → ON
 - S3 TAPE MON 2
OFF → ON
 - S4 MODE
STEREO → MONO
 - S5 LOUDNESS
OFF → ON
 - S6 SPEAKER A
DEF → ON
 - S7 SPEAKER B
DEF → ON
 - S8 POWER SWITCH
OFF → ON
 - S9 FM MUTING
OFF → ON
 - S10 PULSE EMPHASIS
75μs → 25μs

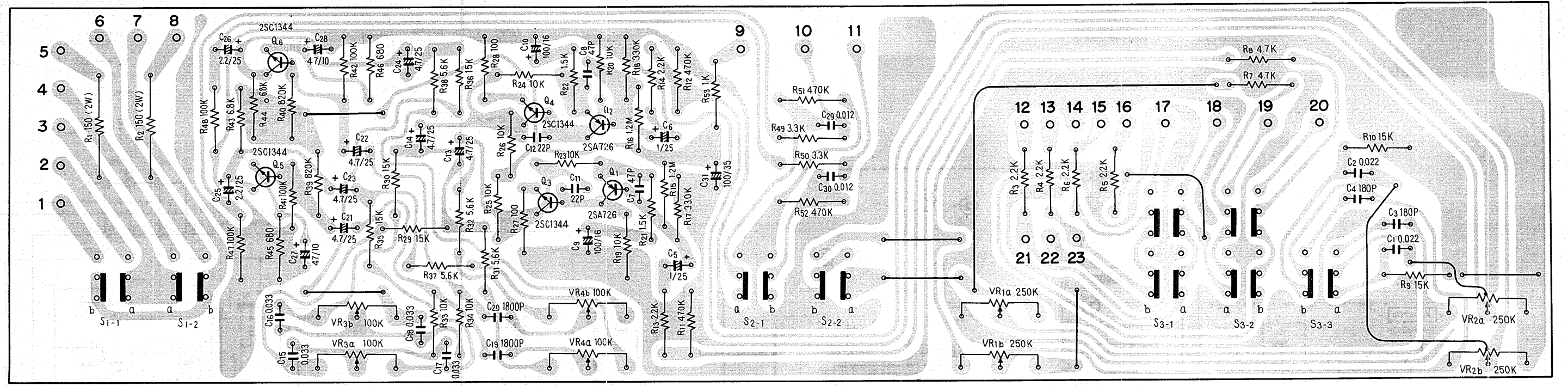
150-mV/1W at speaker output



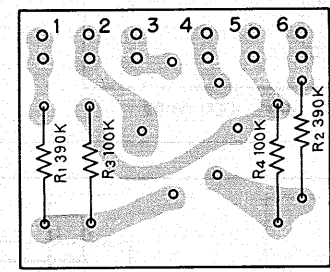
SX-636

AM/FM STEREO RECEIVER
FV GN KCU

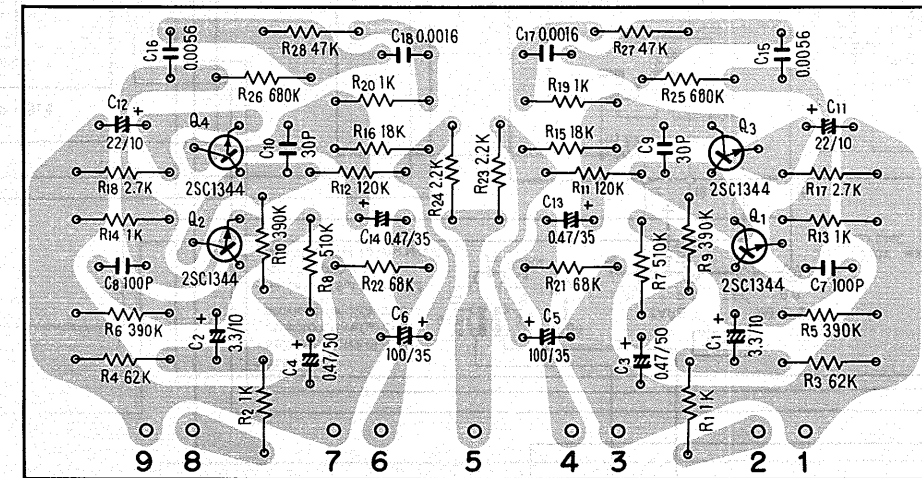
AF amp ass'y AWK-035



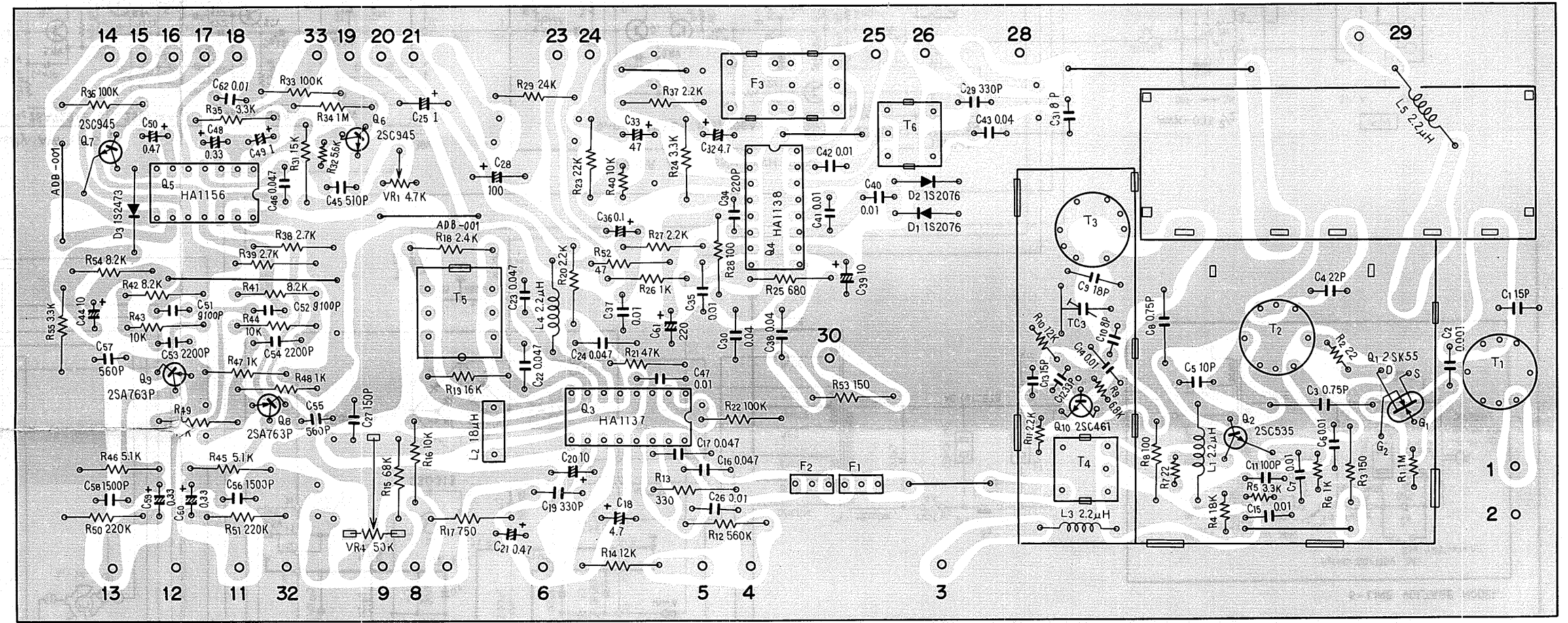
5P connector ass'y AWX-062



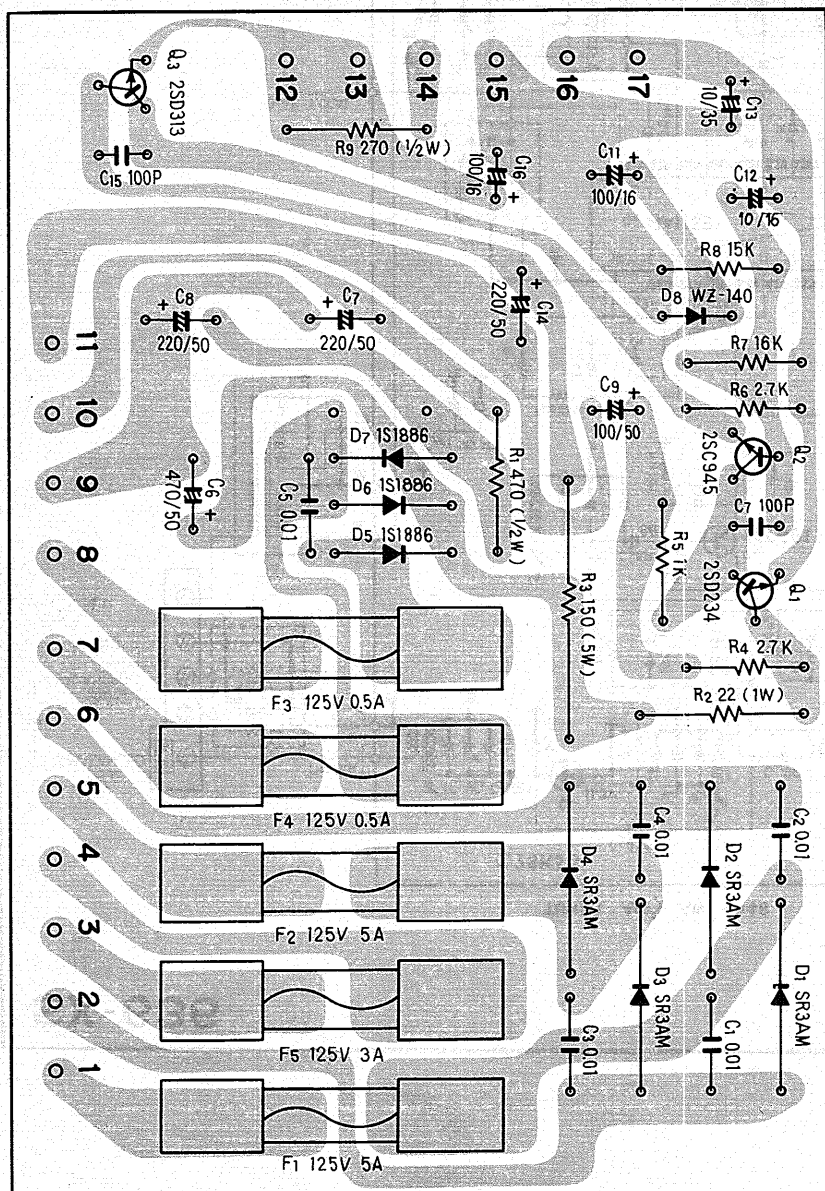
Equalizer amp ass'y AWF-014



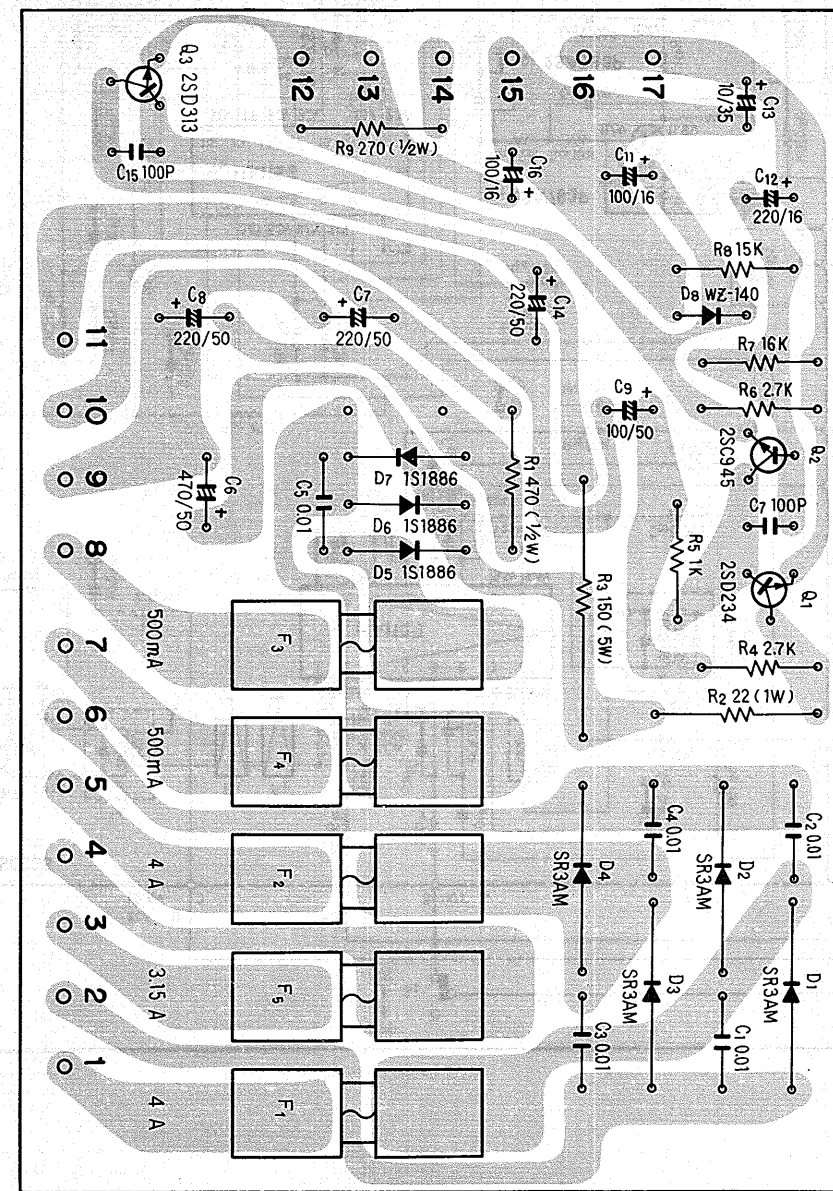
Tuner ass'y AWE-046



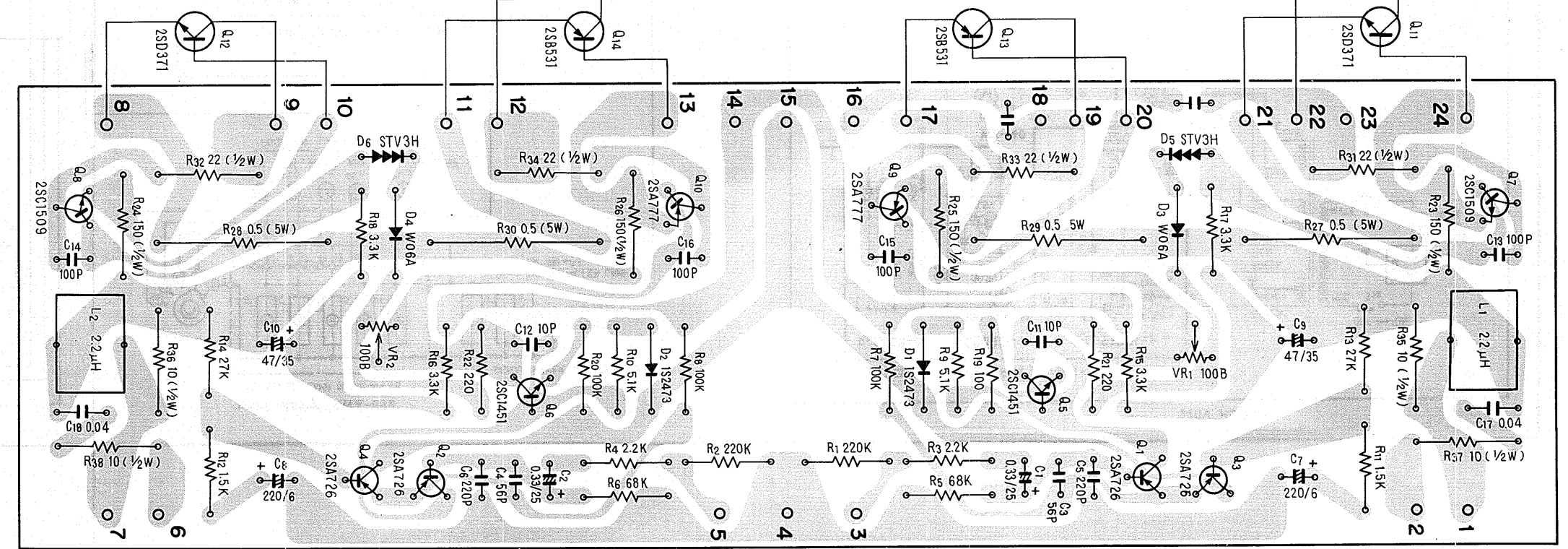
Power supply ass'y AWR-060 (FV, KCU model)



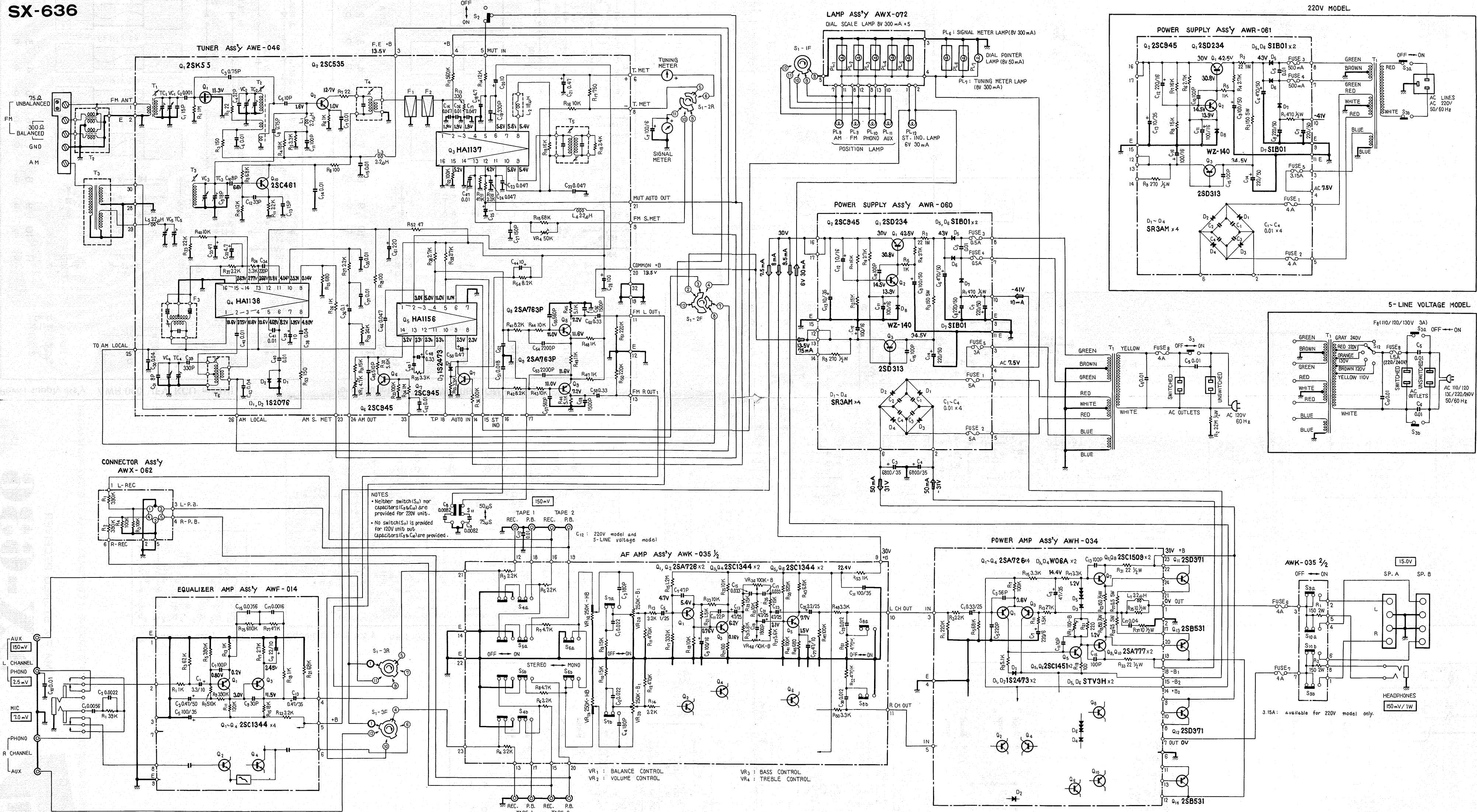
Power supply ass'y AWR-061 (GN model)



Power amp ass'y AWH-034



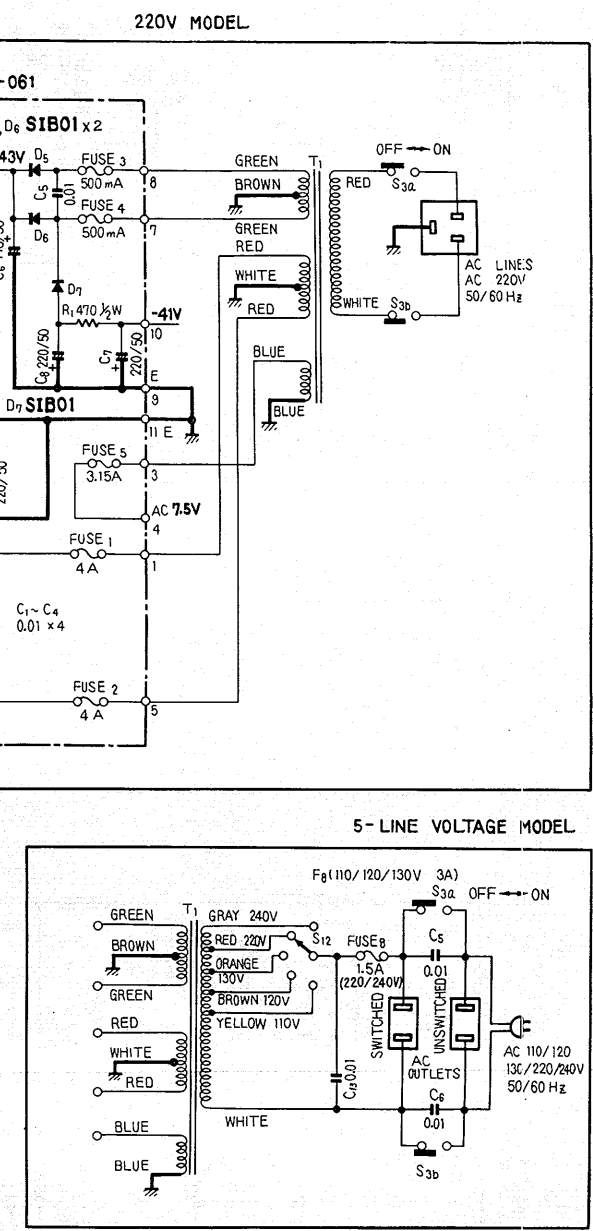
SX-636

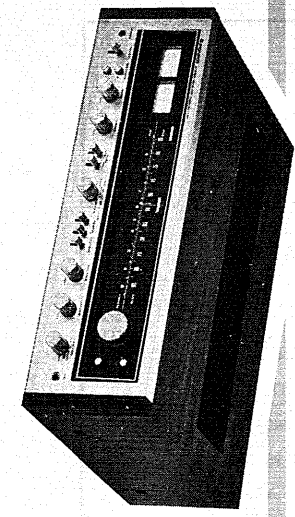


NOTES
 • Neither switch (S₁) nor capacitors (C₁₀, C₁₁) are provided for 220V unit.
 • No switch (S₁) is provided for 120V unit but capacitors (C₁₀, C₁₁) are provided.
 C₁₂: 220V model and 5-LINE voltage model

- SWITCHES**
- S₁: FUNCTION
 1. AB
 2. FM
 3. PHONO/MIC
 4. AUX
 - S₂: FM MUTING
 ON → OFF
 OFF → ON
 - S₃: POWER SWITCH
 OFF → ON
 ON → OFF
 - S₄: TAPE MON
 OFF → ON
 ON → OFF
 - S₅: TAPE MON 2
 OFF → ON
 ON → OFF
 - S₆: MODE
 STEREO → MONO
 MONO → STEREO
 - S₇: LOUDNESS
 OFF → ON
 ON → OFF
 - S₈: HIGH FILTER
 OFF → ON
 ON → OFF
 - S₉: SPEAKER A
 OFF → ON
 ON → OFF
 - S₁₀: SPEAKER B
 OFF → ON
 ON → OFF
 - S₁₁: DE-EMPHASIS
 50μs → 75μs

- RESISTORS**
 IN OHM, 1/4W, ±5% TOLERANCE UNLESS OTHERWISE NOTED. K=KΩ, M=MΩ.
- CAPACITORS**
 IN μF UNLESS OTHERWISE NOTED. P=pF
- NOTES**
- V: SIGNAL VOLTAGE NECESSARY FOR OBTAINING 28W/8Ω OUTPUT POWER (1KHz).
 - V: DC VOLTAGE AT NO INPUT SIGNAL.
 - A: DC CURRENT AT NO INPUT SIGNAL.



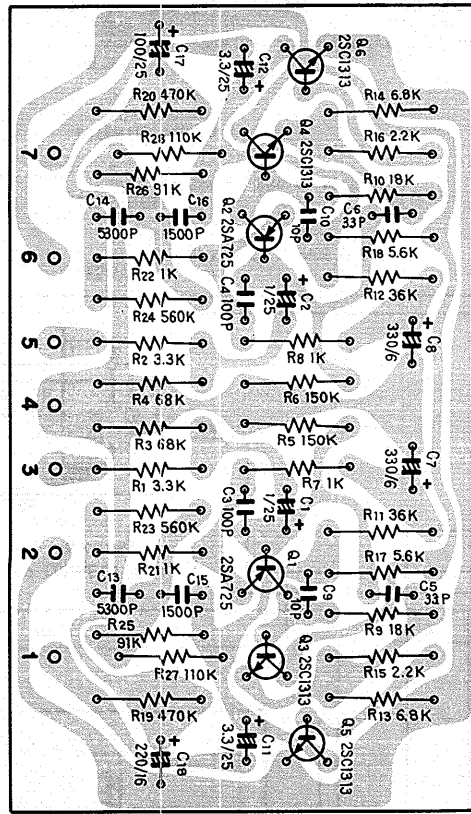


SX-737

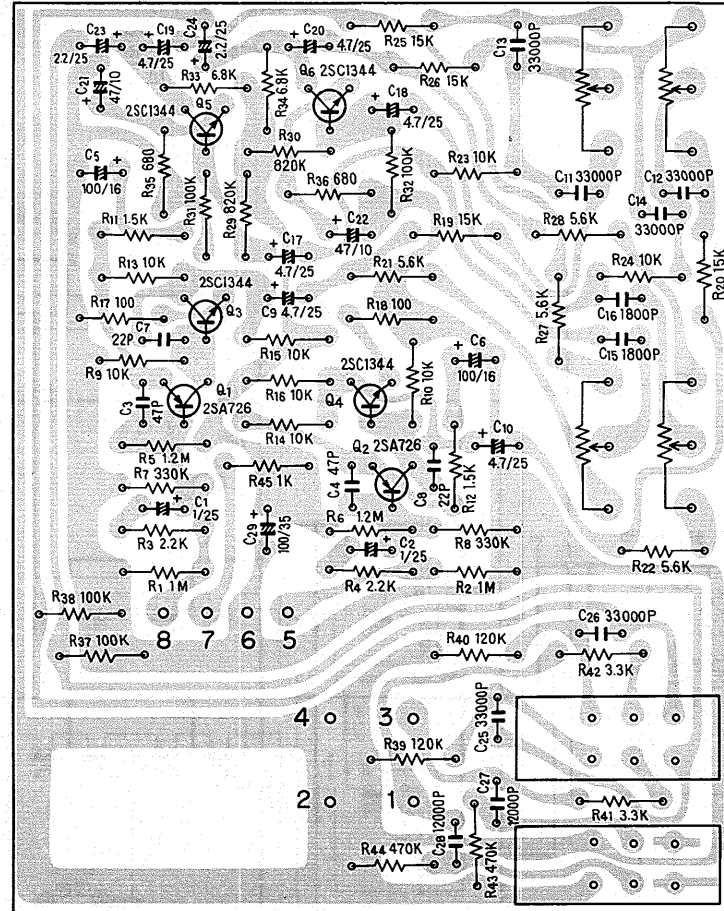
AM/FM STEREO RECEIVER
F KCU GN

10

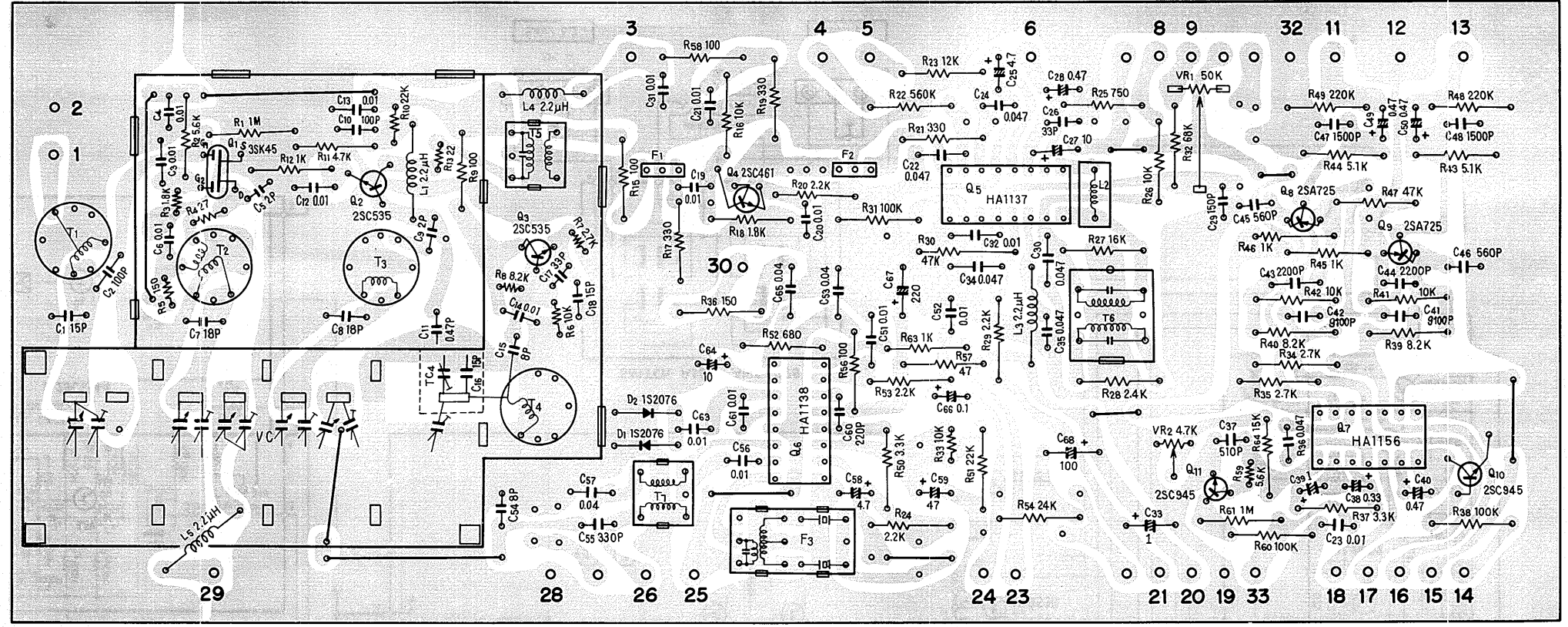
Equalizer amp ass'y AWF-011



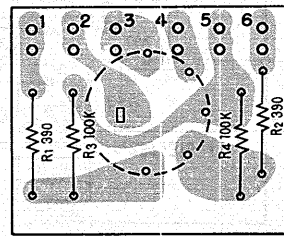
Control amp ass'y AWG-030



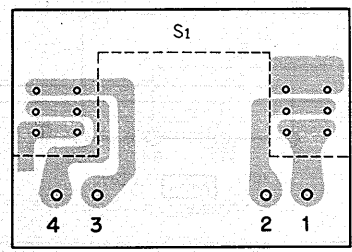
Tuner ass'y AWE-043



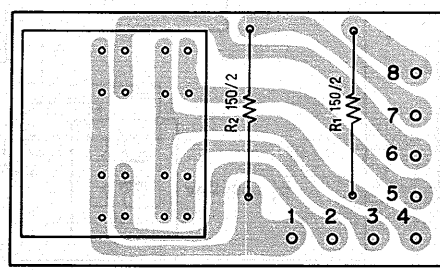
5P connector ass'y AWX-062



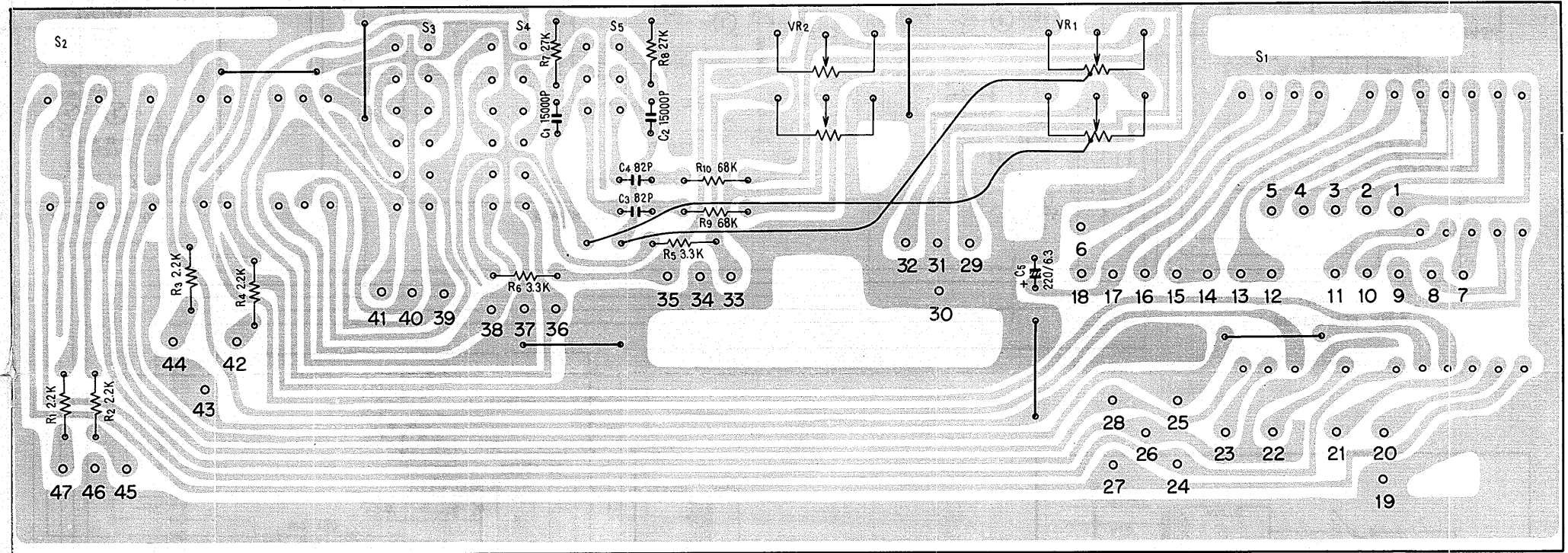
Push switch ass'y AWS-077



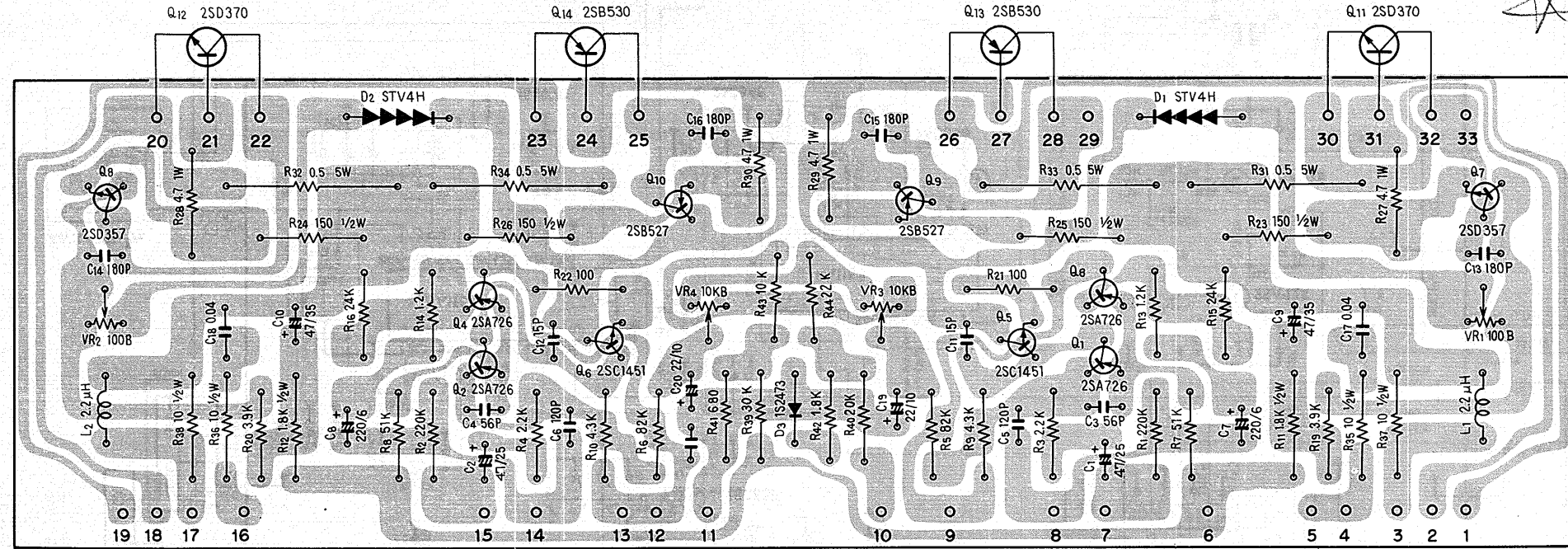
SP switch ass'y AWS-076



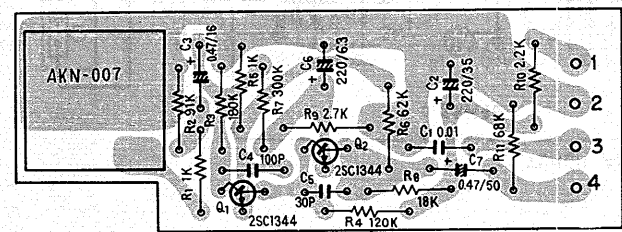
Switch & volume ass'y AWX-071



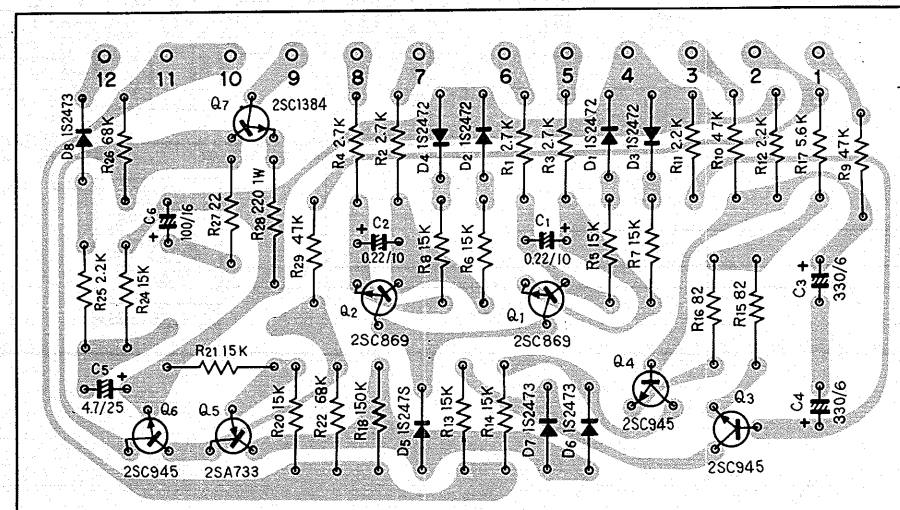
Power amp ass'y AWH-033



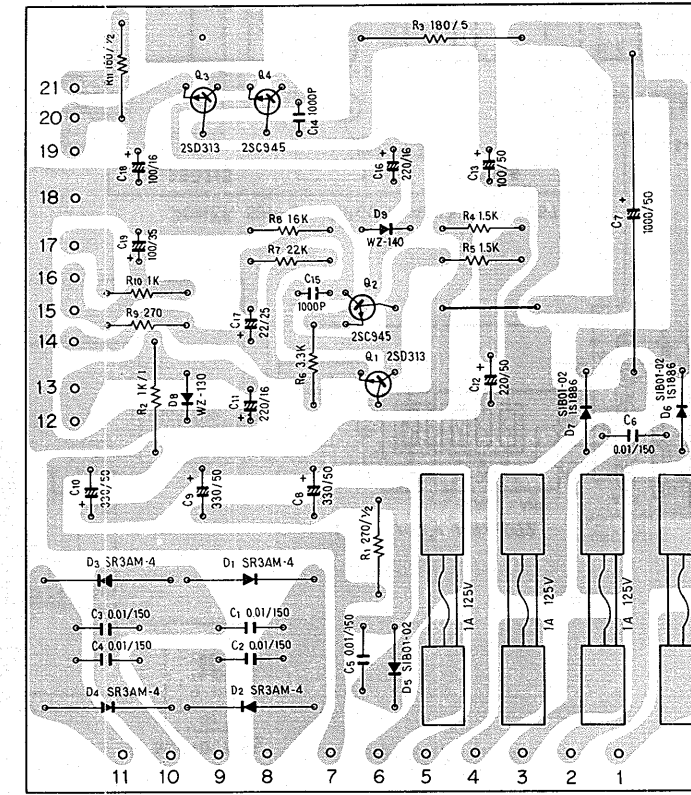
Mic amp ass'y AWM-066



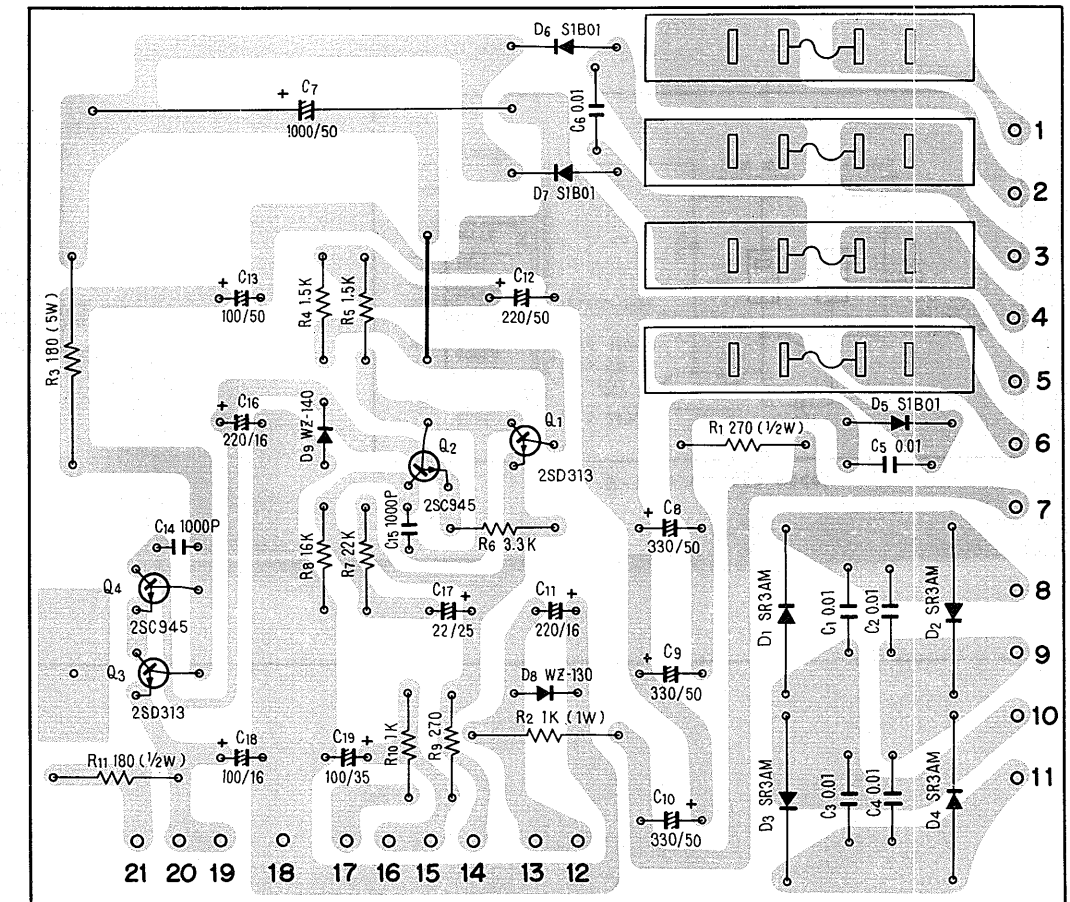
Protection ass'y AWM-025



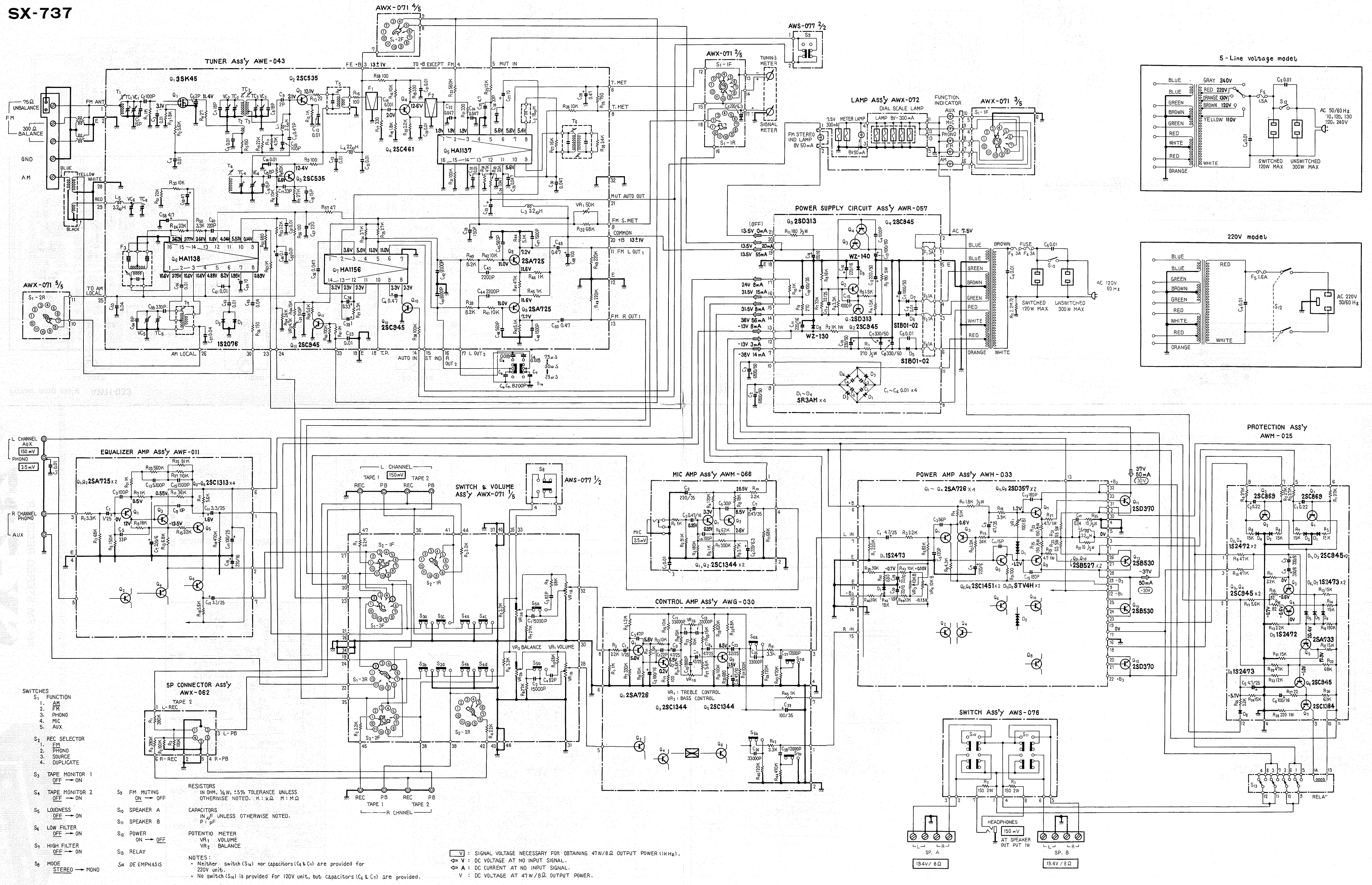
Power supply ass'y AWR-057 (F, KCU model)



Power supply ass'y AWR-058 (GN model)



SX-737



- SWITCHES**
- S₁ FUNCTION
 - 1. AM
 - 2. FM
 - 3. PHONO
 - 4. MIC
 - 5. AUX
 - S₂ REC SELECTOR
 - 1. FM
 - 2. PHONO
 - 3. SOURCE
 - 4. DUPLICATE
 - S₃ TAPE MONITOR 1
 - OFF → ON
 - S₄ TAPE MONITOR 2
 - OFF → ON
 - S₅ LOUDNESS
 - OFF → ON
 - S₆ LOW FILTER
 - OFF → ON
 - S₇ HIGH FILTER
 - OFF → ON
 - S₈ MODE
 - STEREO → MONO
 - S₉ FM MUTING
 - ON → OFF
 - S₁₀ SPEAKER A
 - ON → OFF
 - S₁₁ SPEAKER B
 - ON → OFF
 - S₁₂ POWER
 - ON → OFF
 - S₁₃ RELAY
 - ON → OFF
 - S₁₄ DE EMPHASIS
 - ON → OFF

RESISTORS
 IN OHM, 1/4W, ±5% TOLERANCE UNLESS OTHERWISE NOTED. K: KΩ M: MΩ

CAPACITORS
 IN μF UNLESS OTHERWISE NOTED. P: pF

POTENTIOMETER
 VR₁ VOLUME
 VR₂ BALANCE

NOTES:

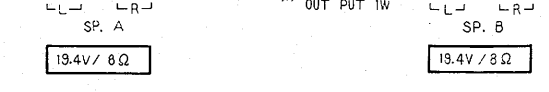
- Neither switch (S₁₄) nor capacitors (C₆ & C₇) are provided for 220V unit.
- No switch (S₁₄) is provided for 120V unit, but capacitors (C₆ & C₇) are provided.

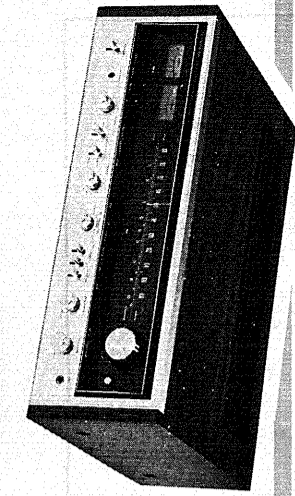
⊖ : SIGNAL VOLTAGE NECESSARY FOR OBTAINING 47W/8Ω OUTPUT POWER (1kHz).

⊕ V : DC VOLTAGE AT NO INPUT SIGNAL.

⊕ A : DC CURRENT AT NO INPUT SIGNAL.

V : DC VOLTAGE AT 47W/8Ω OUTPUT POWER.

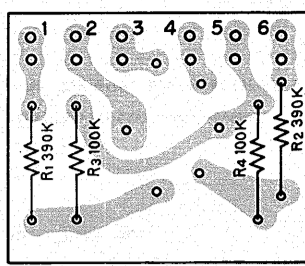




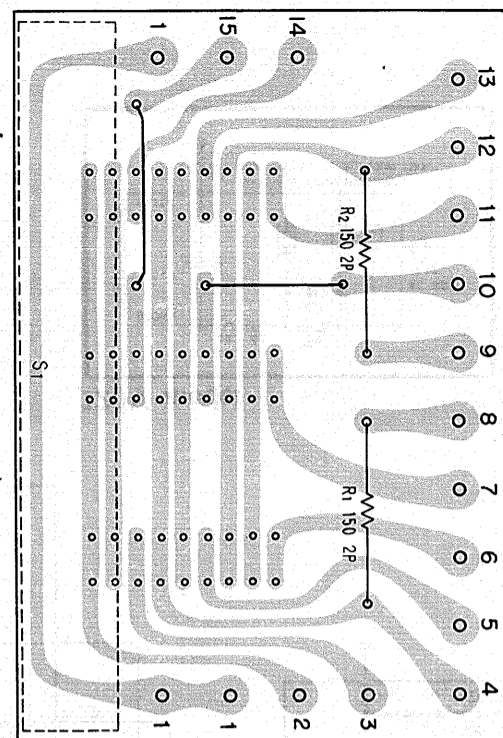
SX-83B

AM/FM STEREO RECEIVER
F GN KCU

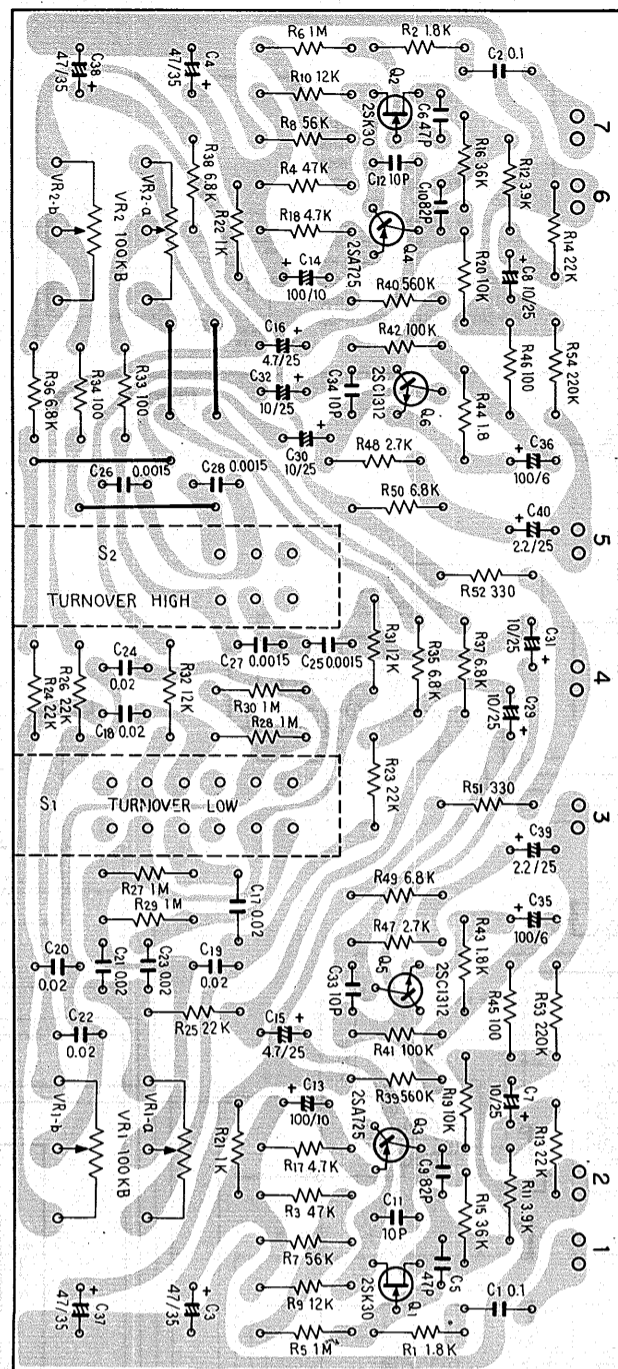
5P connector ass'y AWX-062



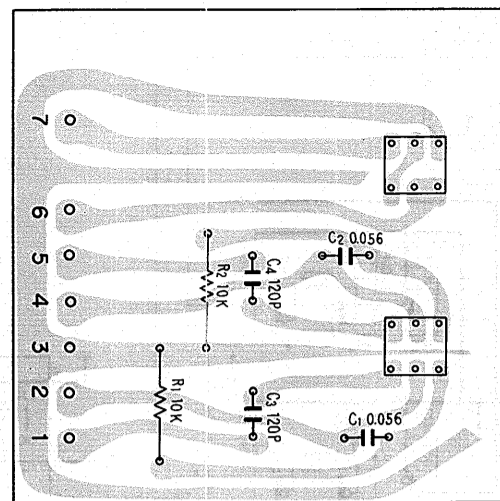
Speaker switch ass'y AWS-074



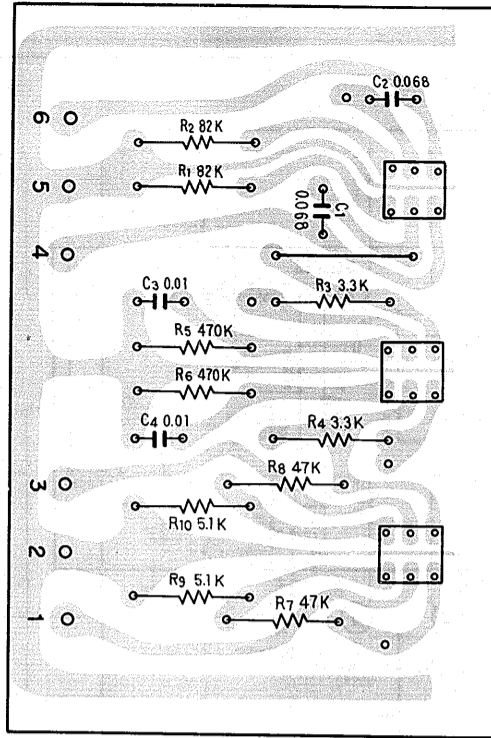
Control amp ass'y AWG-029



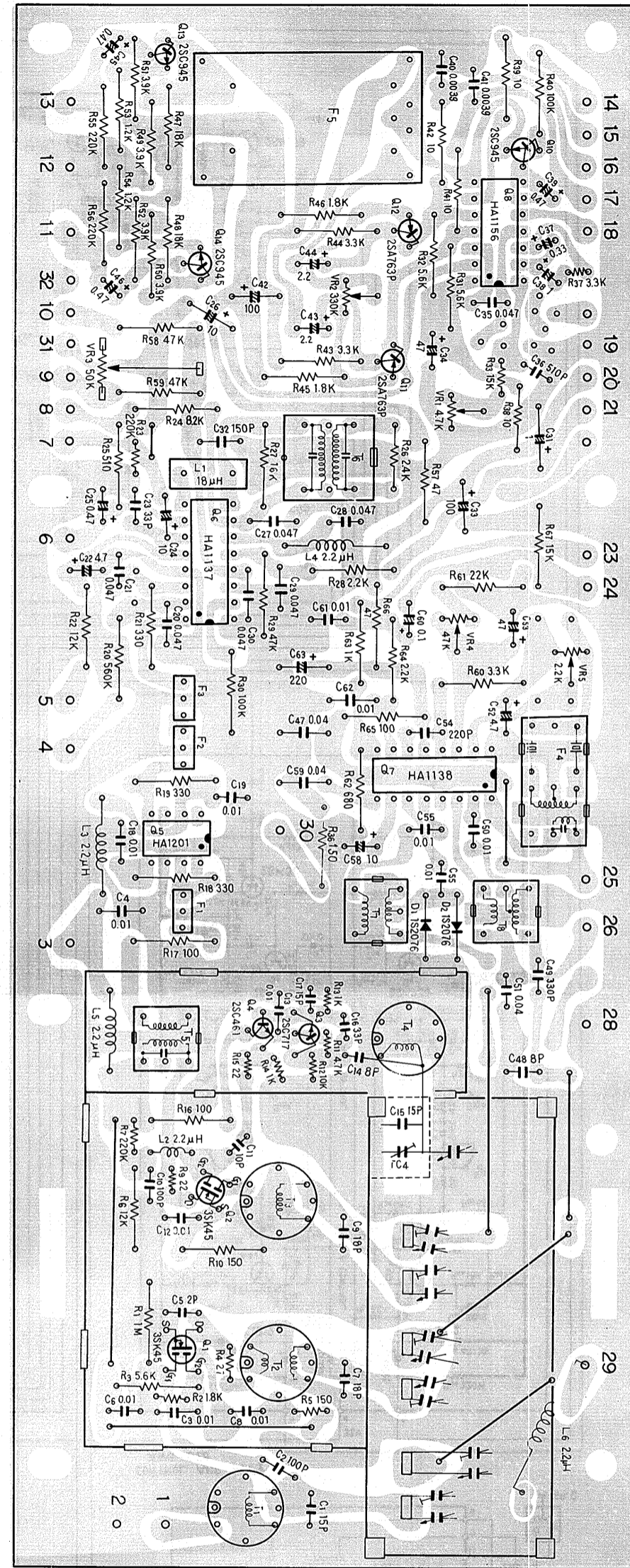
Switch ass'y AWS-065



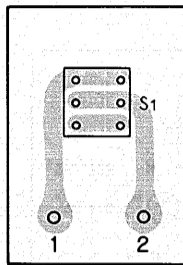
Filter and muting ass'y AWS-066



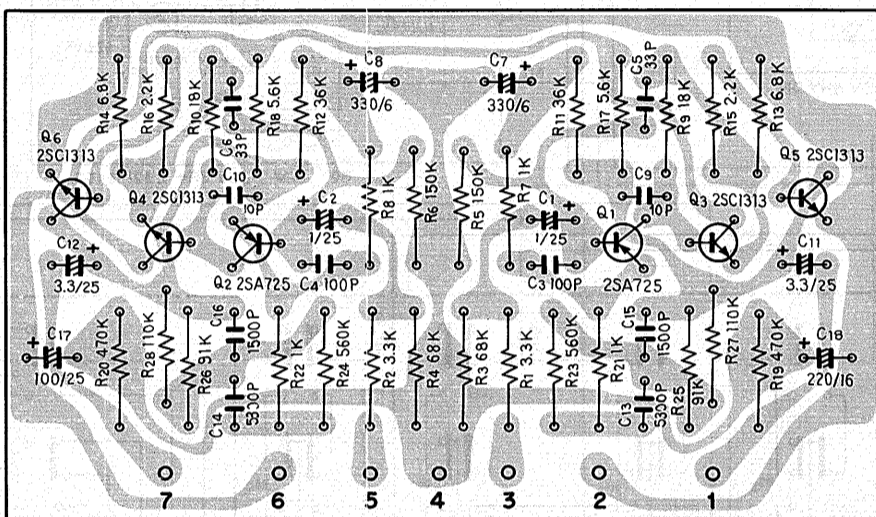
Tuner ass'y AWE-041



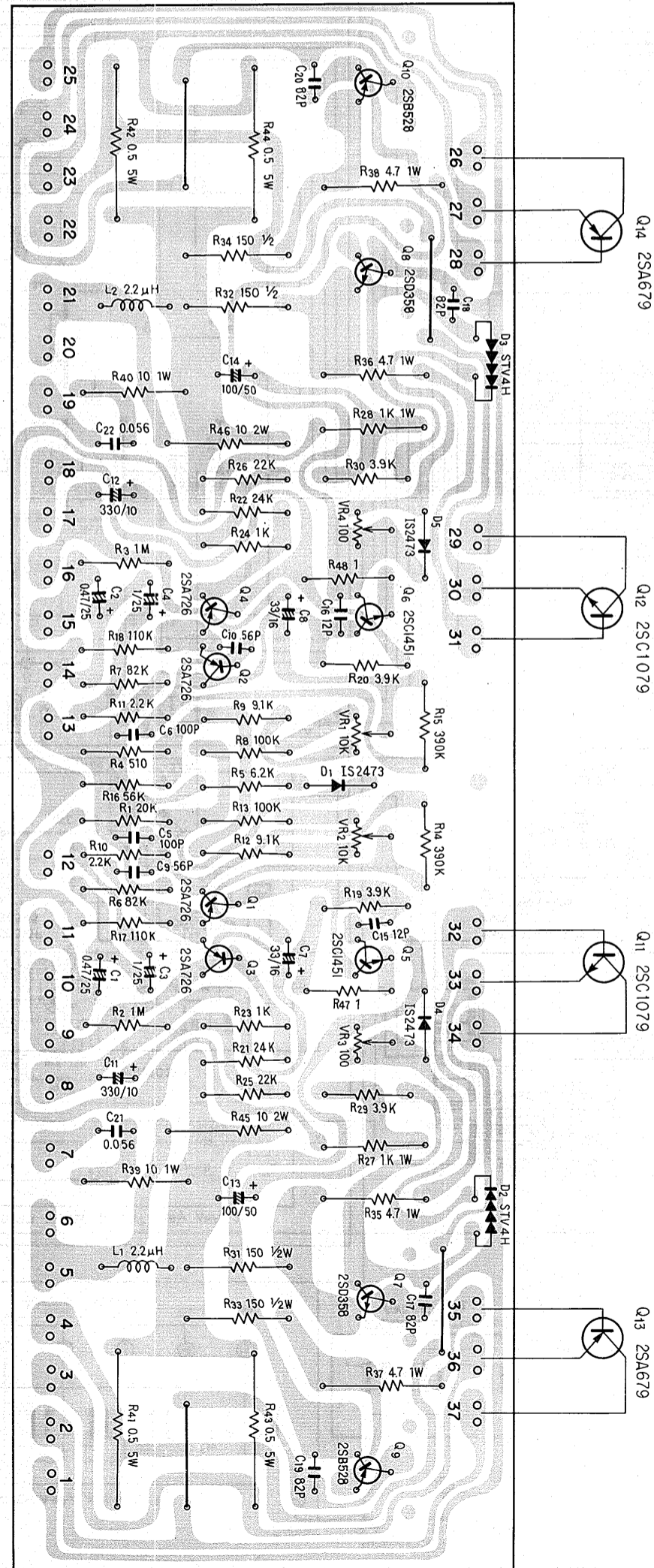
Switch circuit ass'y AWS-075



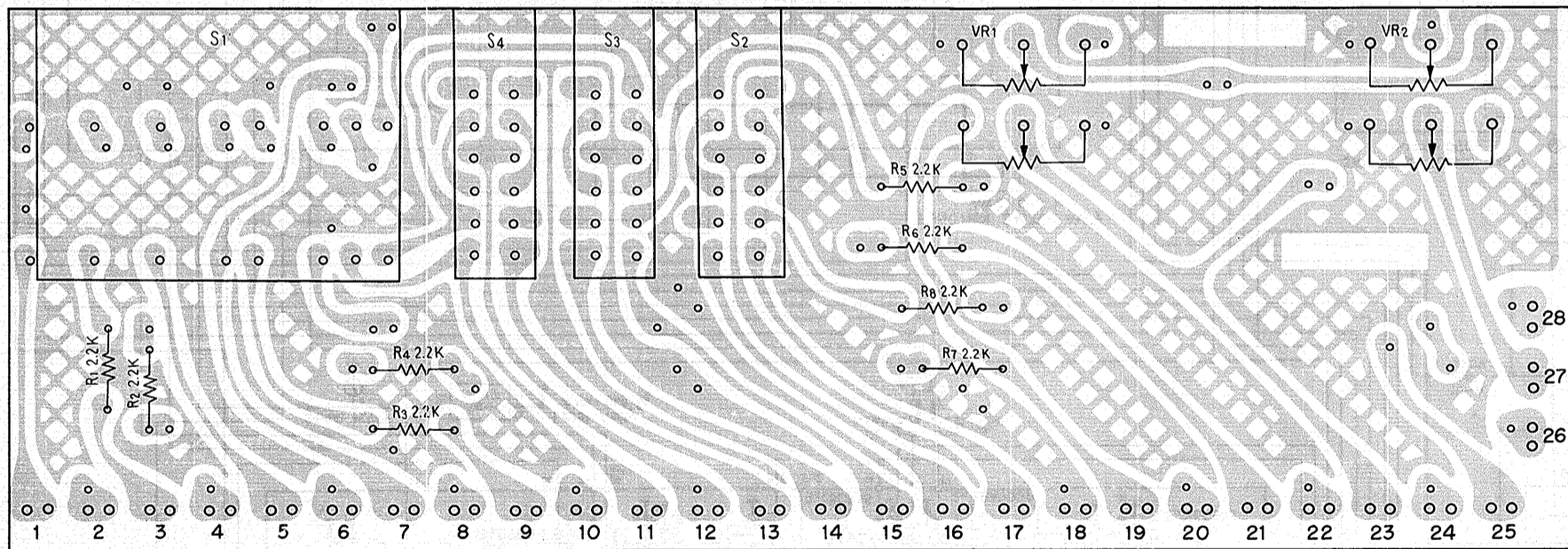
Equalizer amp ass'y AWF-011



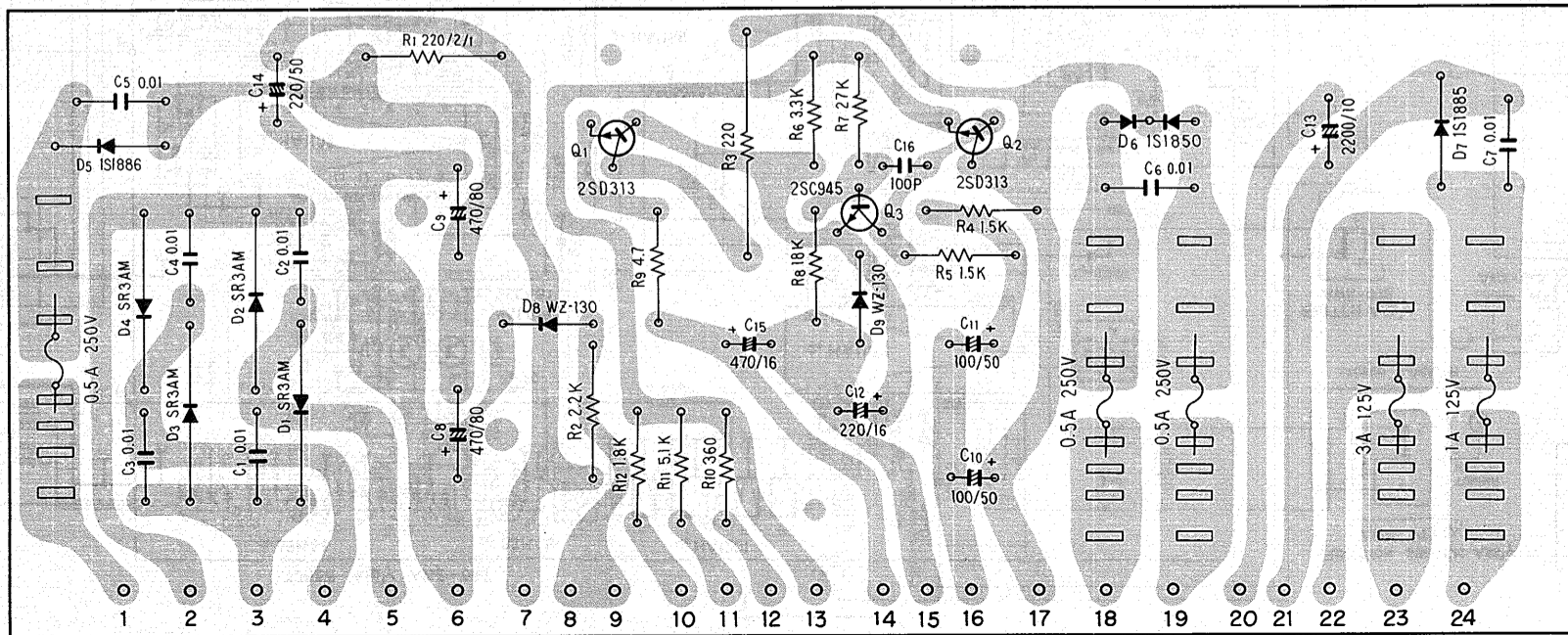
Power amp ass'y AWH-031



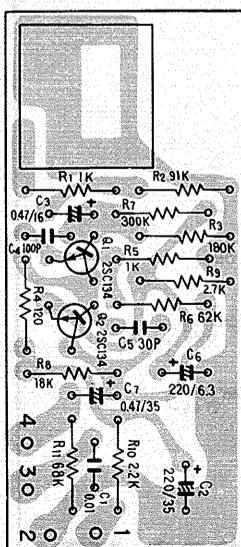
Switch and volume ass'y AWX-070



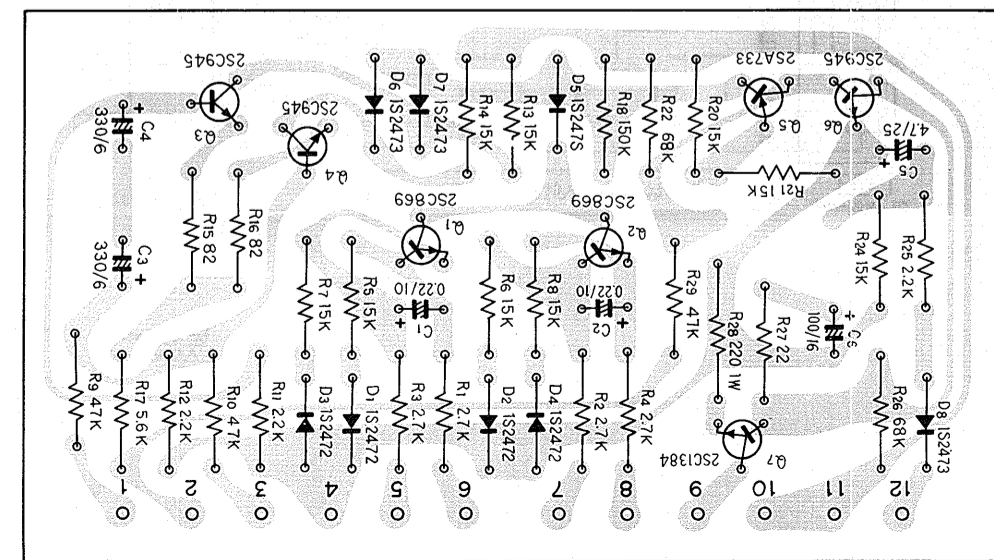
Power supply ass'y AWR-055

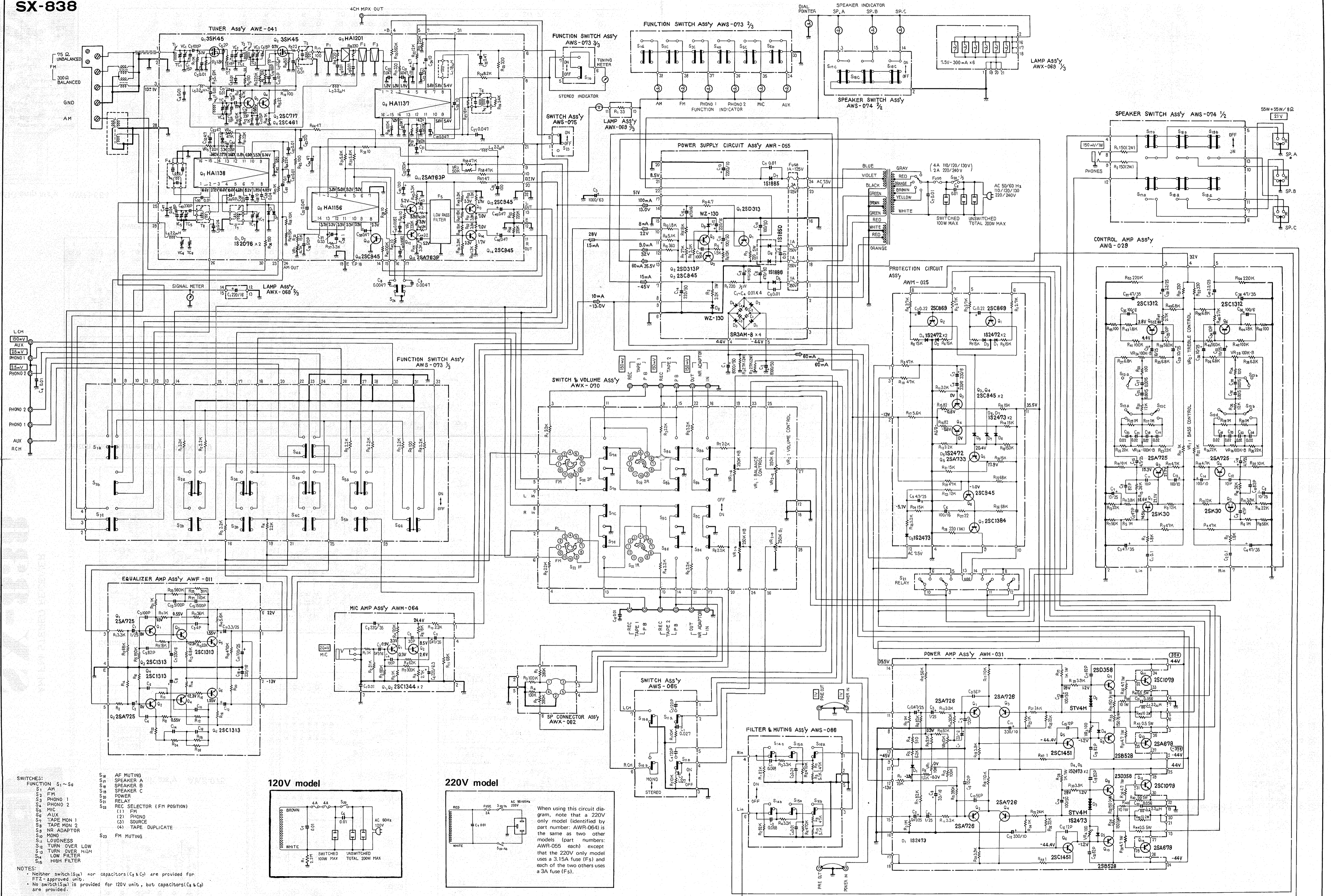


MIC amp ass'y AWM-064



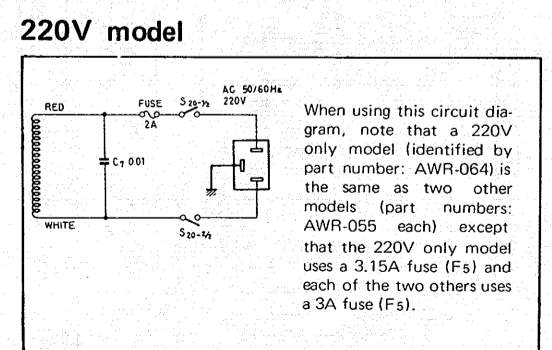
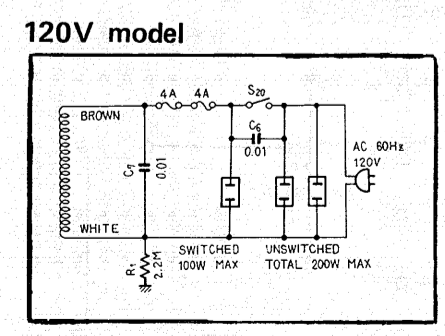
Protection circuit ass'y AWM-025

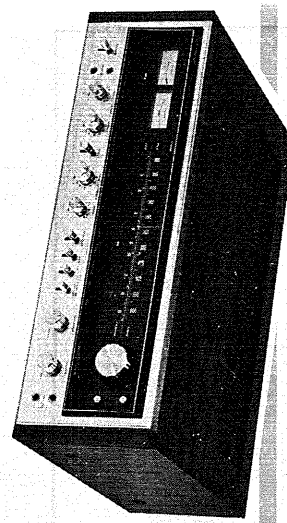




- LCH 150mV
- AUX 25mV
- PHONO 1 25mV
- PHONO 2 25mV
- RCH

- SWITCHES:**
- S₁ FUNCTION
 - S₂ AM
 - S₃ FM
 - S₄ PHONO 1
 - S₅ PHONO 2
 - S₆ MIC
 - S₇ AUX
 - S₈ TAPE MON 1
 - S₉ TAPE MON 2
 - S₁₀ NR ADAPTOR
 - S₁₁ MONO
 - S₁₂ LOUDNESS
 - S₁₃ TURN OVER LOW
 - S₁₄ TURN OVER HIGH
 - S₁₅ LOW FILTER
 - S₁₆ HIGH FILTER
 - S₁₇ AF MUTING
 - S₁₈ SPEAKER A
 - S₁₉ SPEAKER B
 - S₂₀ SPEAKER C
 - S₂₁ RELAY
 - S₂₂ REC SELECTOR (FM POSITION)
 - S₂₃ FM MUTING
- NOTES:**
- Neither switch (S₂₄) nor capacitors (C₄ & C₅) are provided for FTZ-approved unit.
 - No switch (S₂₄) is provided for 120V unit, but capacitors (C₄ & C₅) are provided.



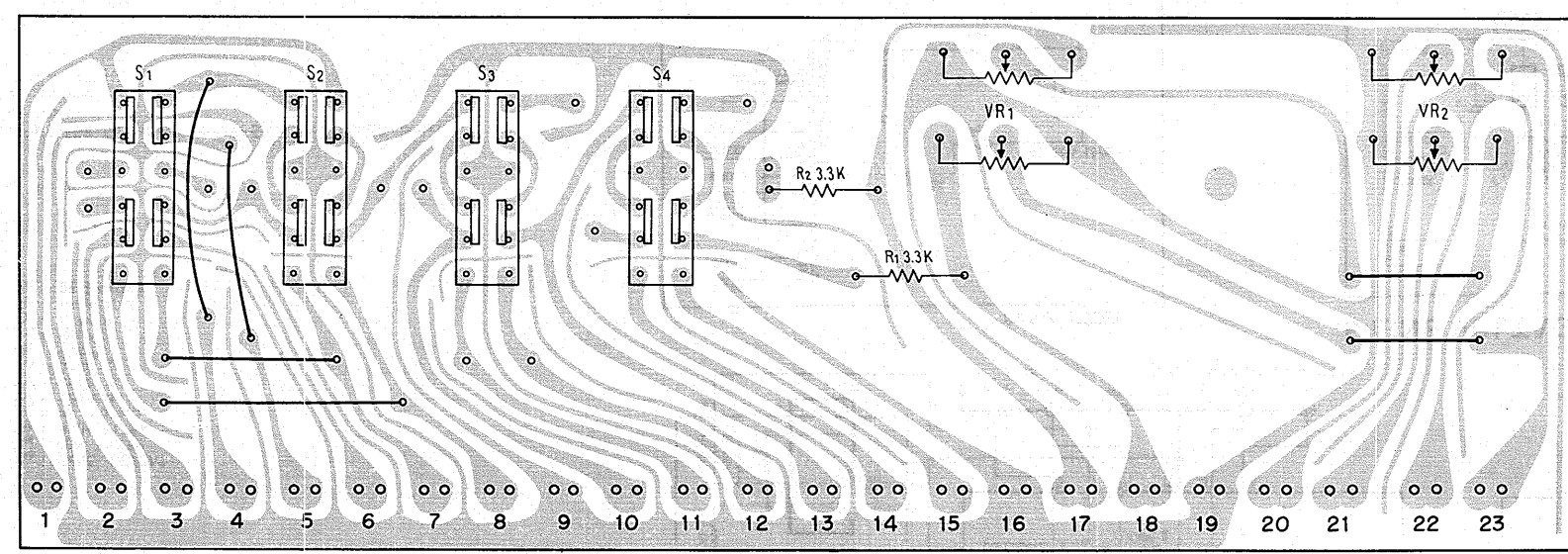


SX-939

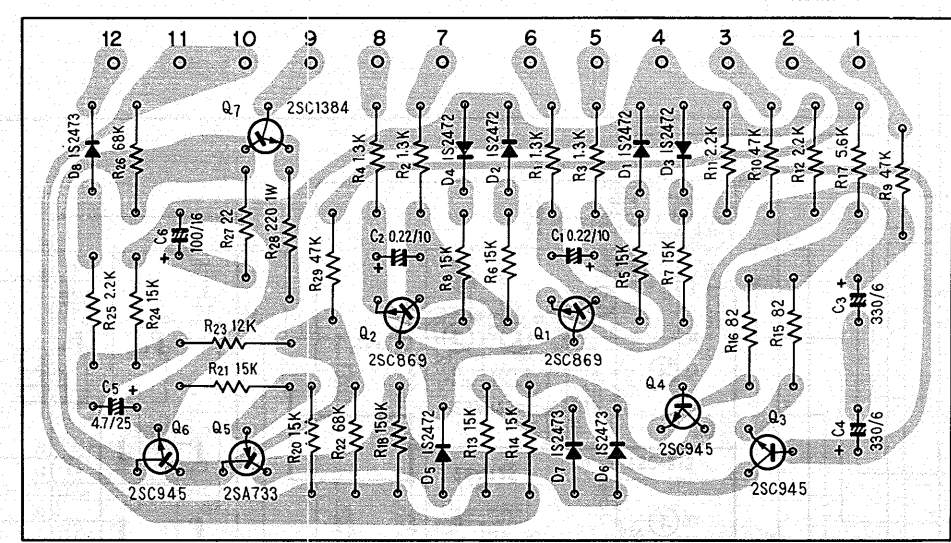
AM/FM STEREO RECEIVER
F GN KCU

12

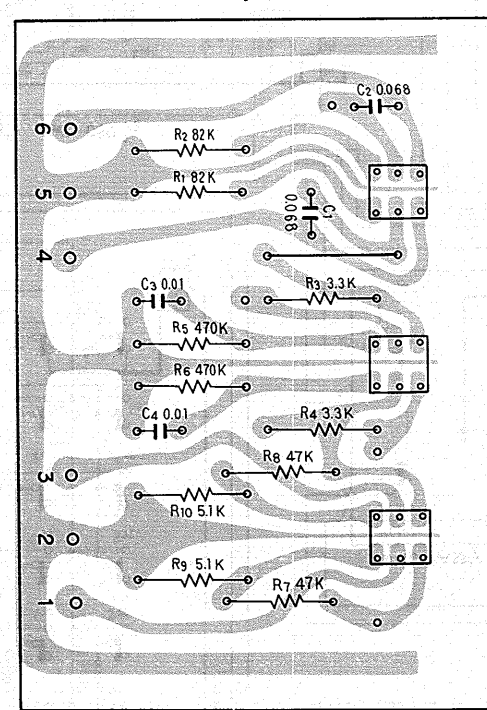
Switch circuit ass'y AWS-067



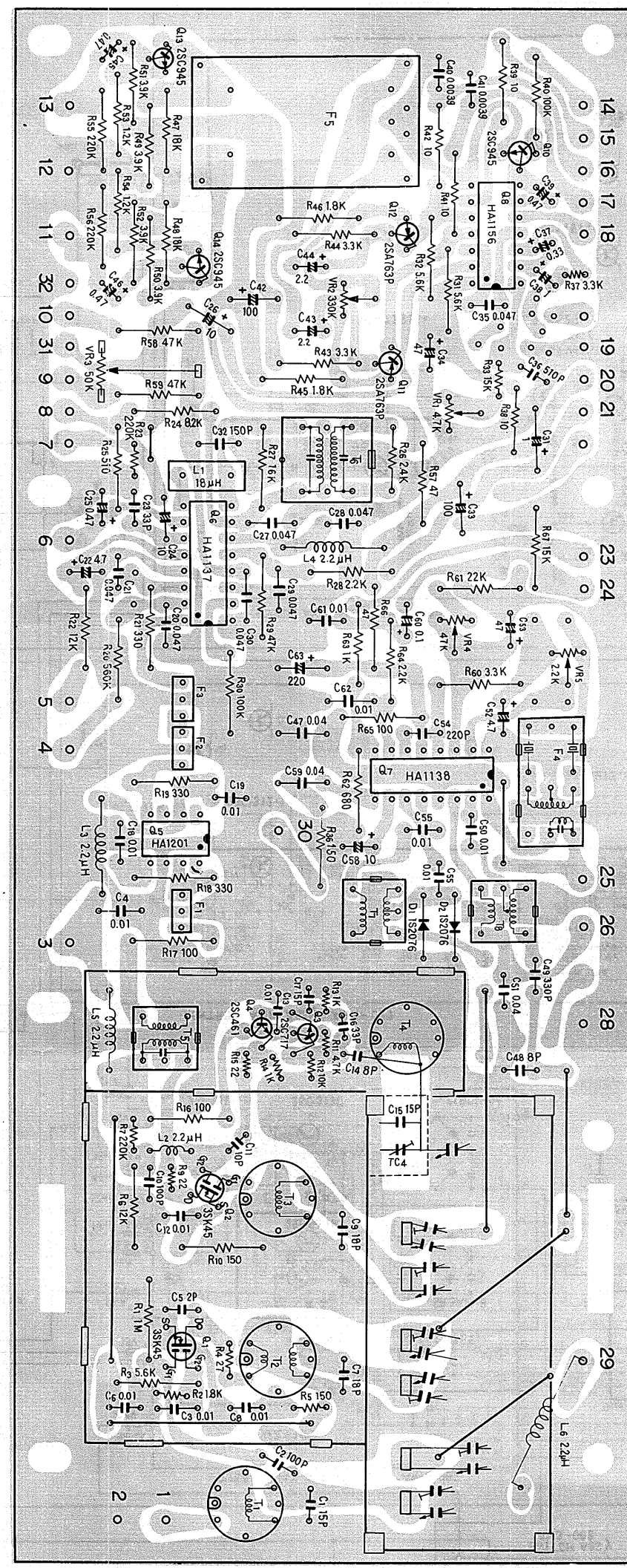
Protection circuit ass'y AWM-062



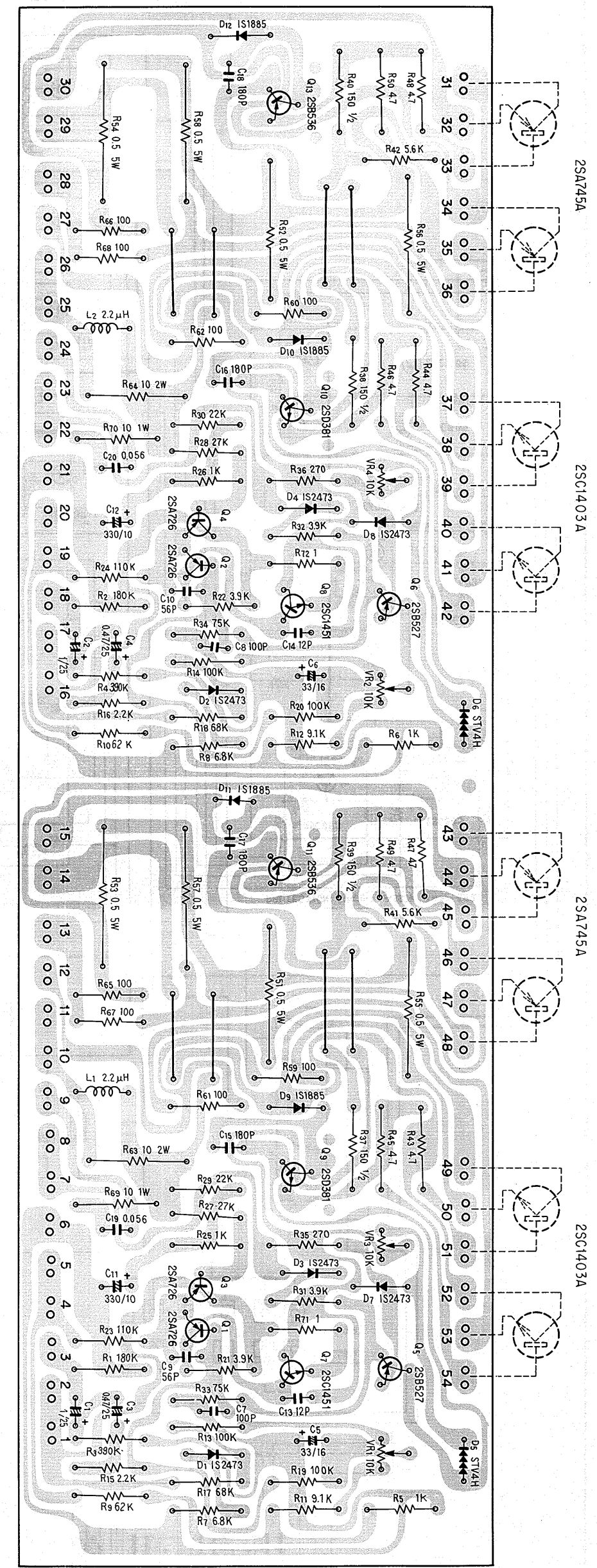
Switch circuit ass'y AWS-066



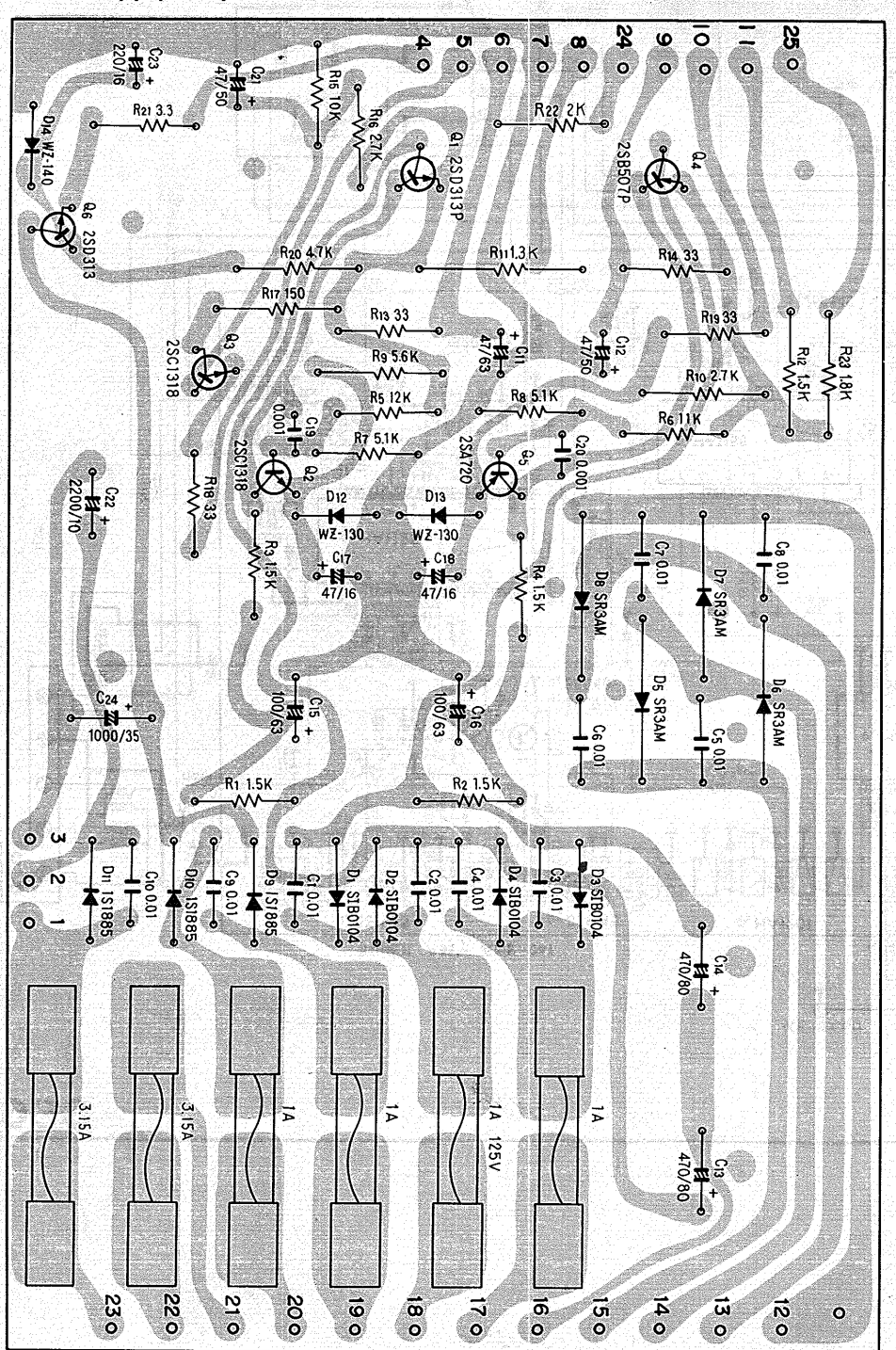
Tuner ass'y AWE-041



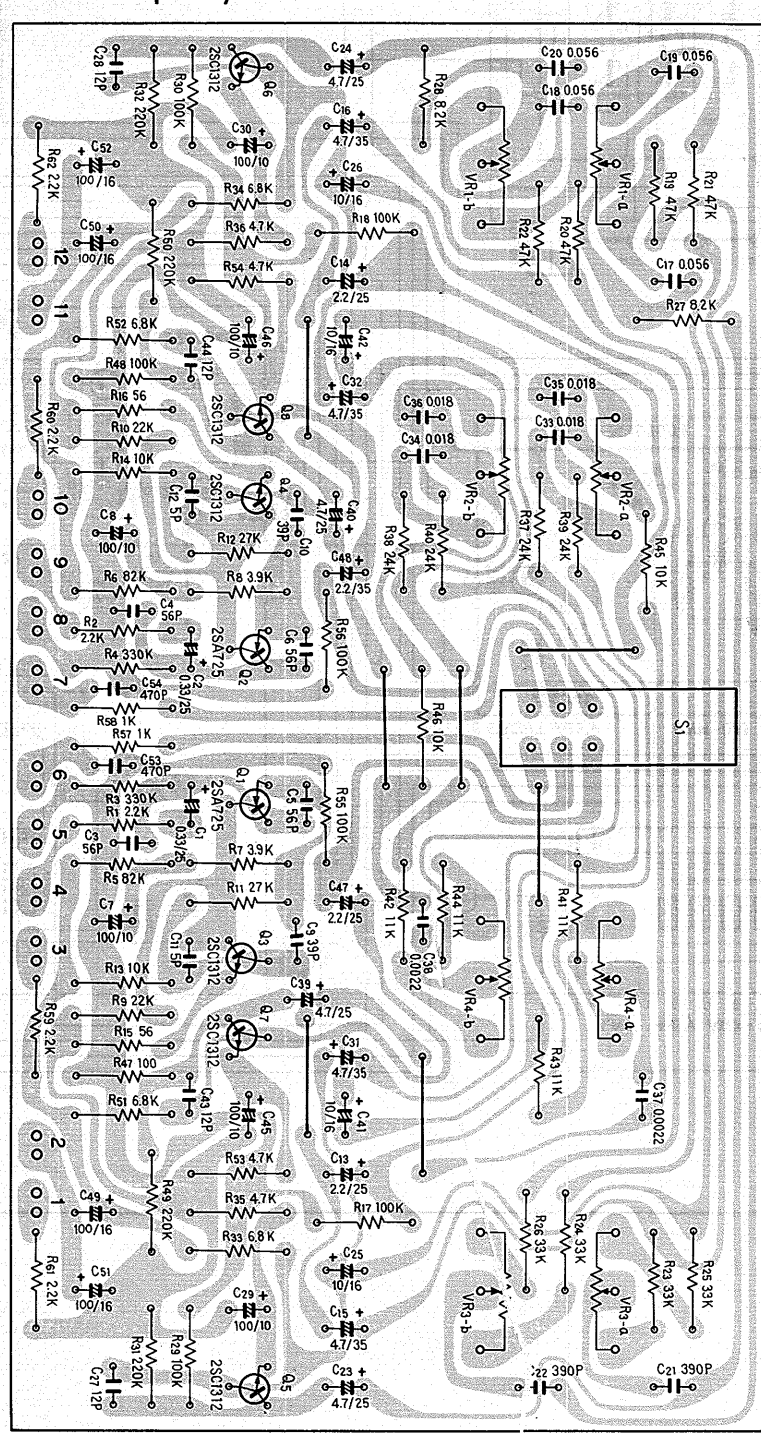
Power amp ass'y AWH-030



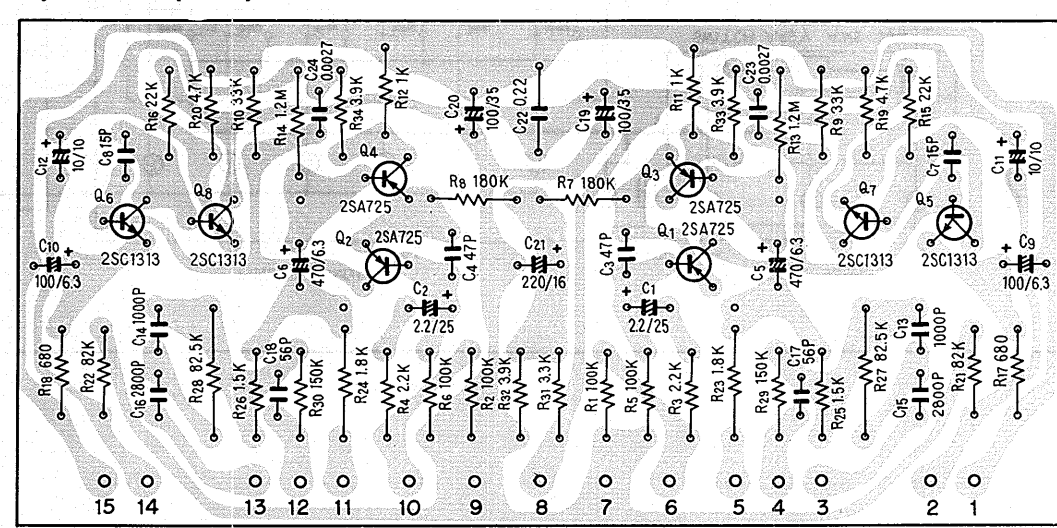
Power supply ass'y AWR-052



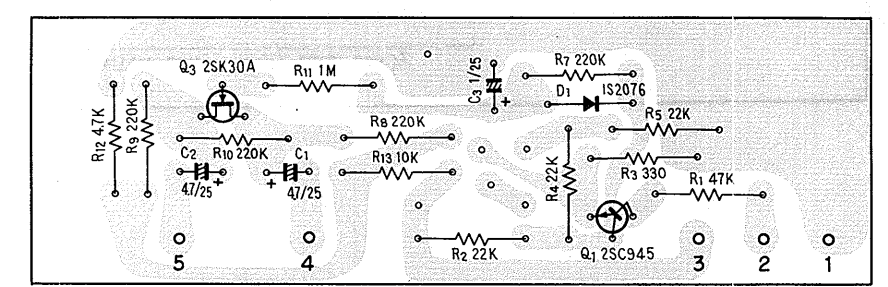
Control amp ass'y AWG-027



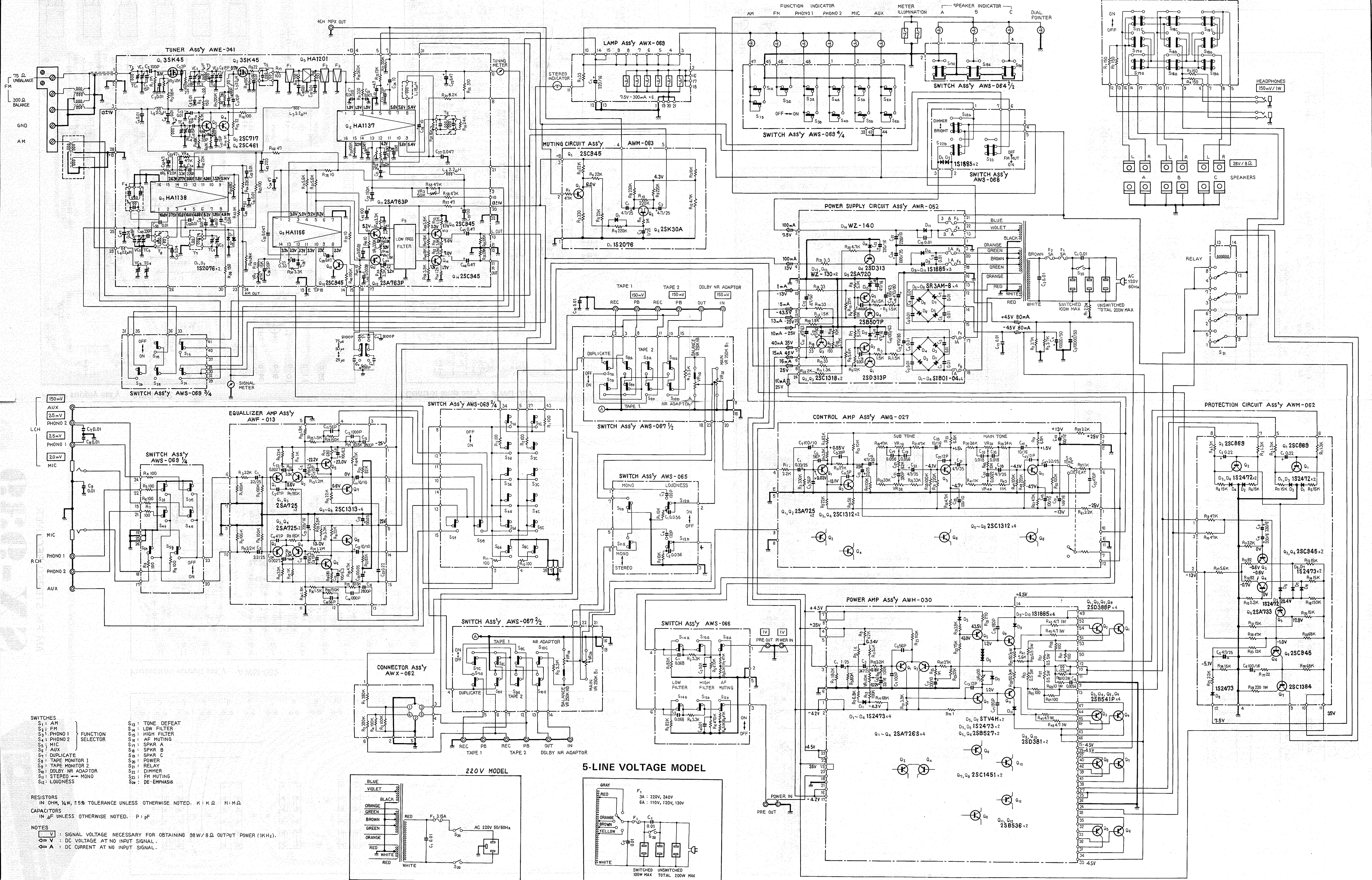
Equalizer amp ass'y AWF-013



Muting circuit ass'y AWM-063



SX-939



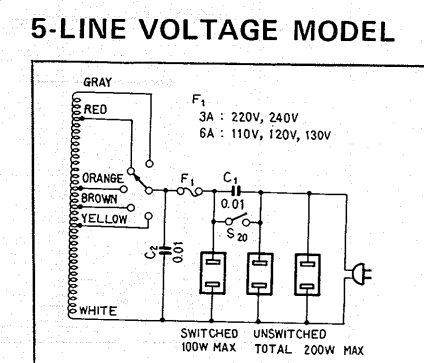
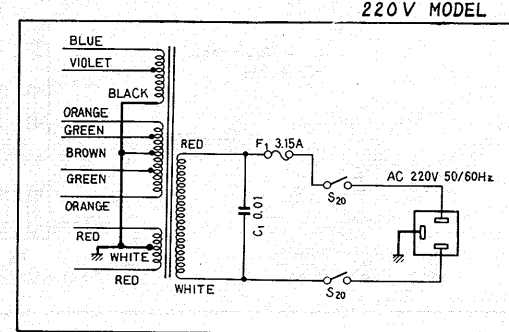
- SWITCHES**
- S1: AM
 - S2: FM
 - S3: PHONO 1
 - S4: PHONO 2
 - S5: MIC
 - S6: AUX
 - S7: DUPLICATE
 - S8: TAPE MONITOR 1
 - S9: TAPE MONITOR 2
 - S10: DOLBY NR ADAPTOR
 - S11: STEREO → MONO
 - S12: LOUDNESS
- FUNCTION SELECTOR**
- S13: TONE DEFEAT
 - S14: LOW FILTER
 - S15: HIGH FILTER
 - S16: AF MUTING
 - S17: SPKR A
 - S18: SPKR B
 - S19: SPKR C
 - S20: POWER
 - S21: RELAY
 - S22: DIMMER
 - S23: FM MUTING
 - S24: DE-EMPHASIS

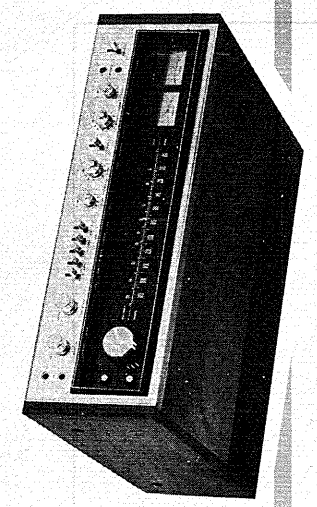
RESISTORS
IN OHM, 1/4W, ±5% TOLERANCE UNLESS OTHERWISE NOTED. K: KΩ N: MΩ

CAPACITORS
IN μF UNLESS OTHERWISE NOTED. P: pF

NOTES

- V: SIGNAL VOLTAGE NECESSARY FOR OBTAINING 98W/8Ω OUTPUT POWER (1KHz).
- V: DC VOLTAGE AT NO INPUT SIGNAL.
- A: DC CURRENT AT NO INPUT SIGNAL.



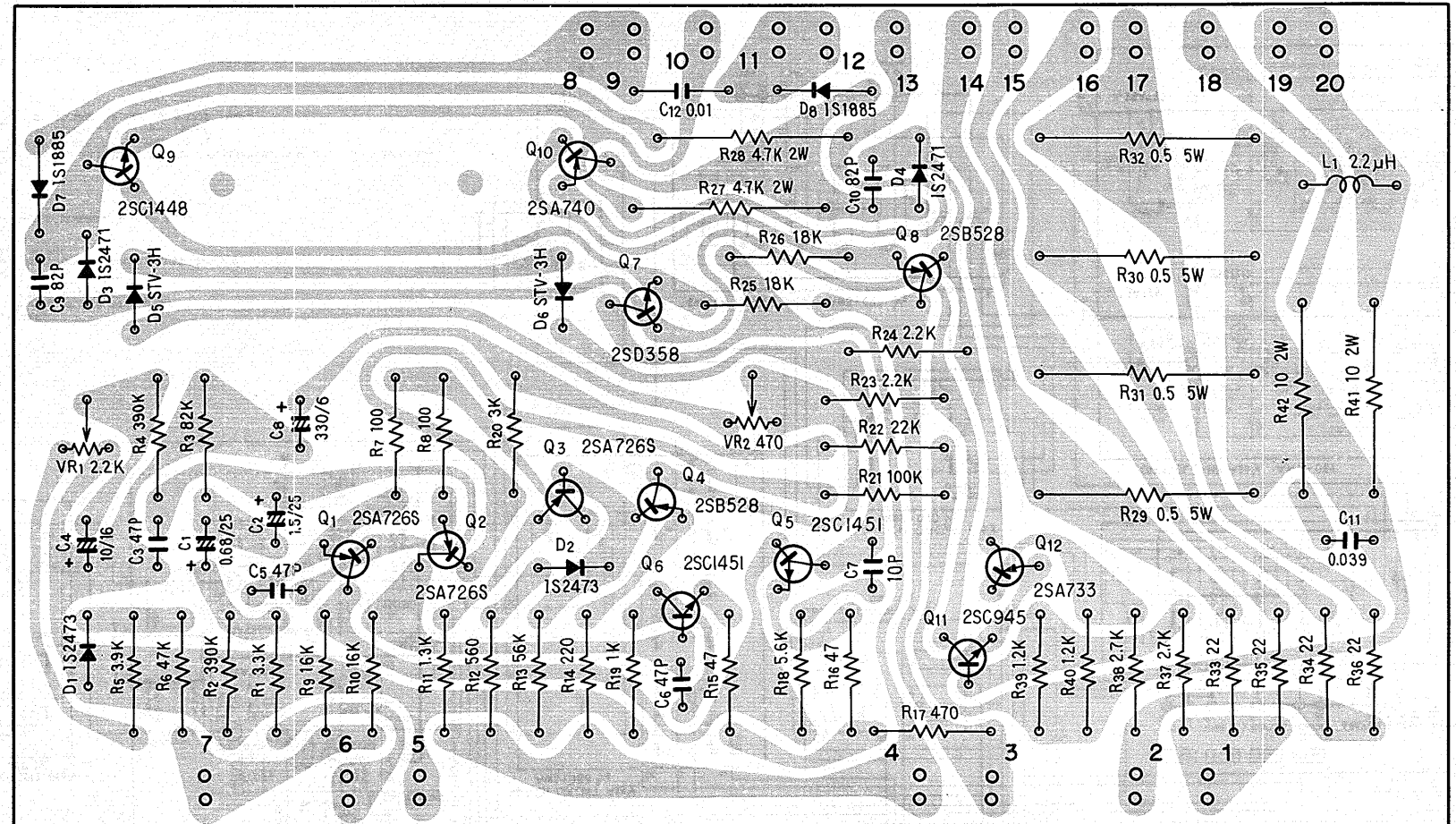


SX-1010

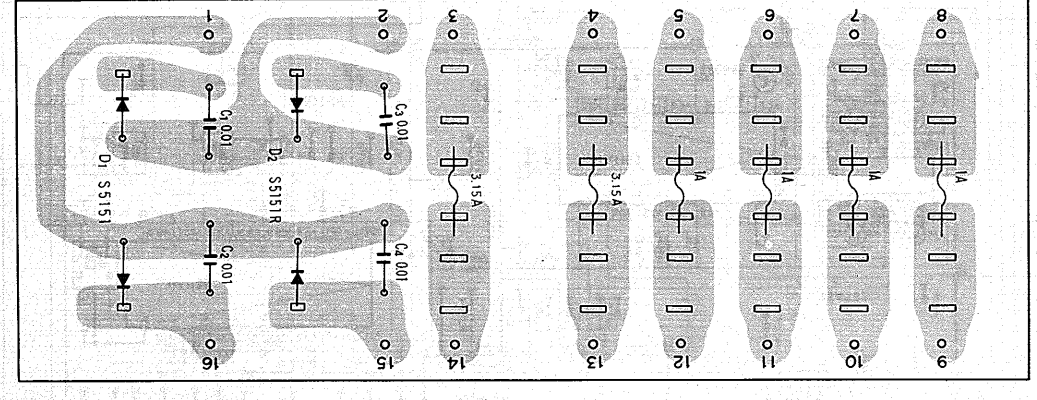
AM/FM STEREO RECEIVER
F GN KCU



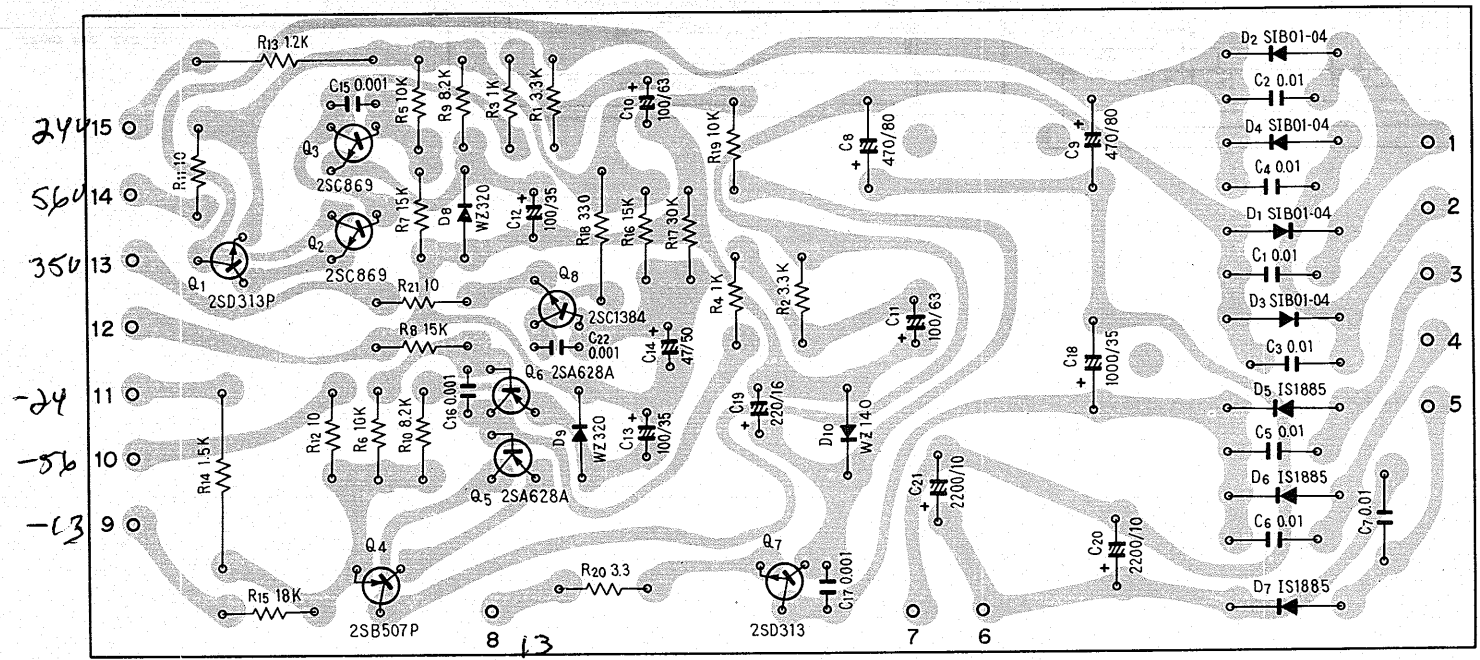
Power amp ass'y AWH-032



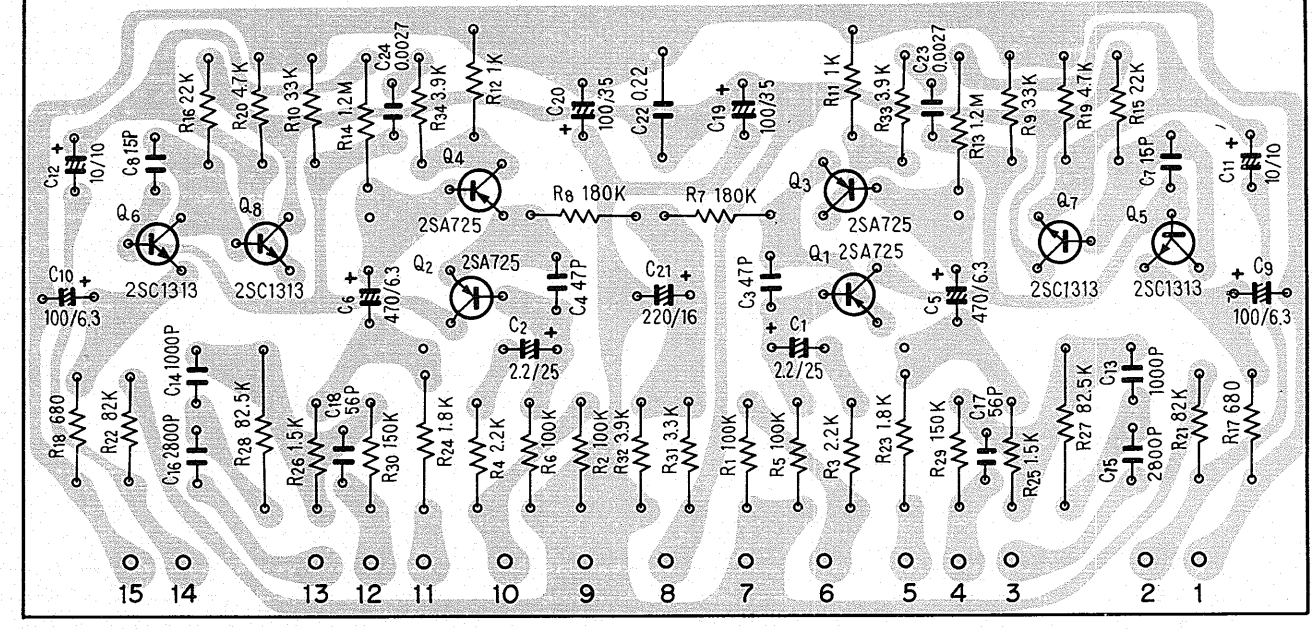
Power supply ass'y A AWR-053



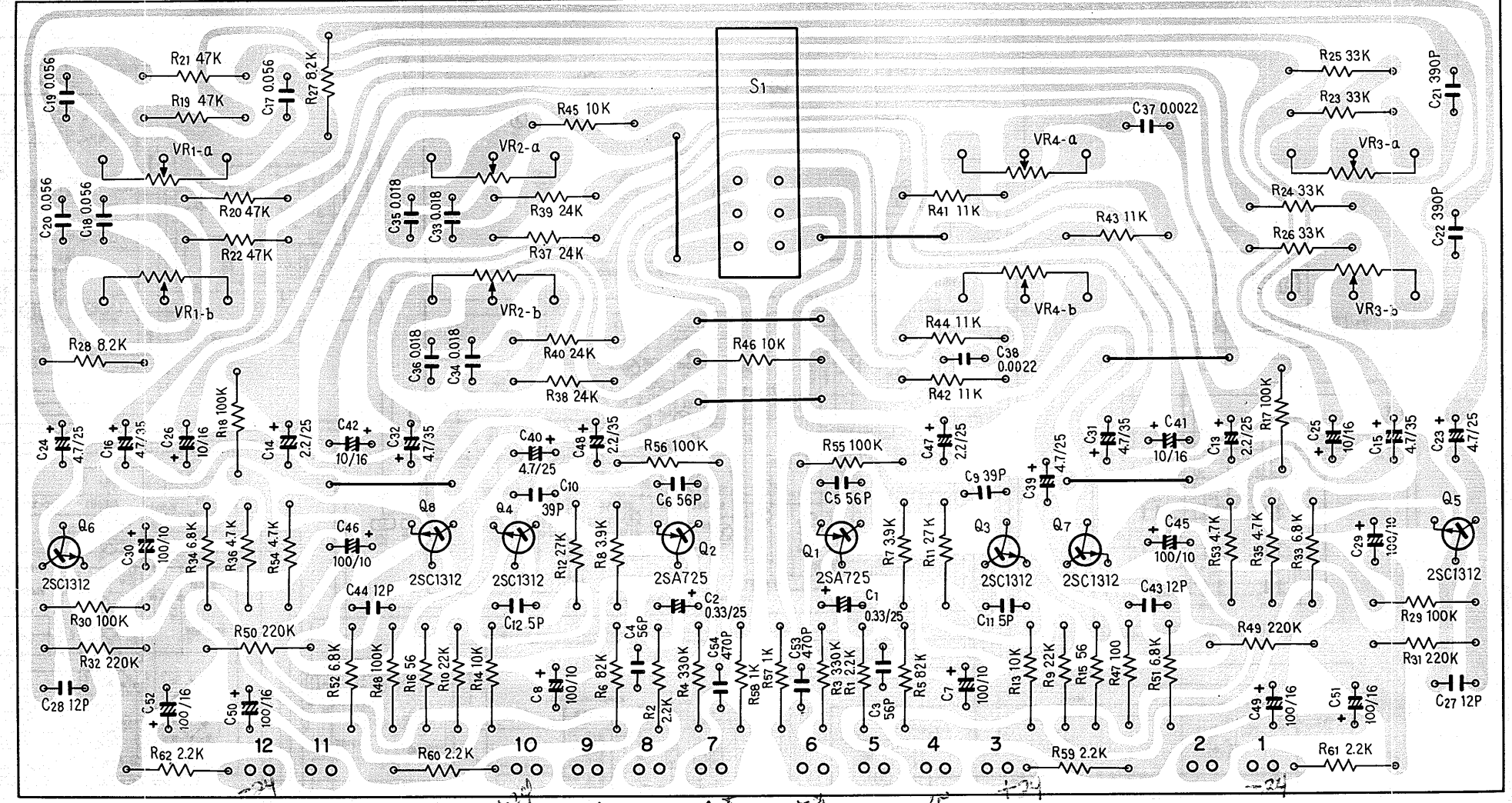
Power supply ass'y B AWR-054



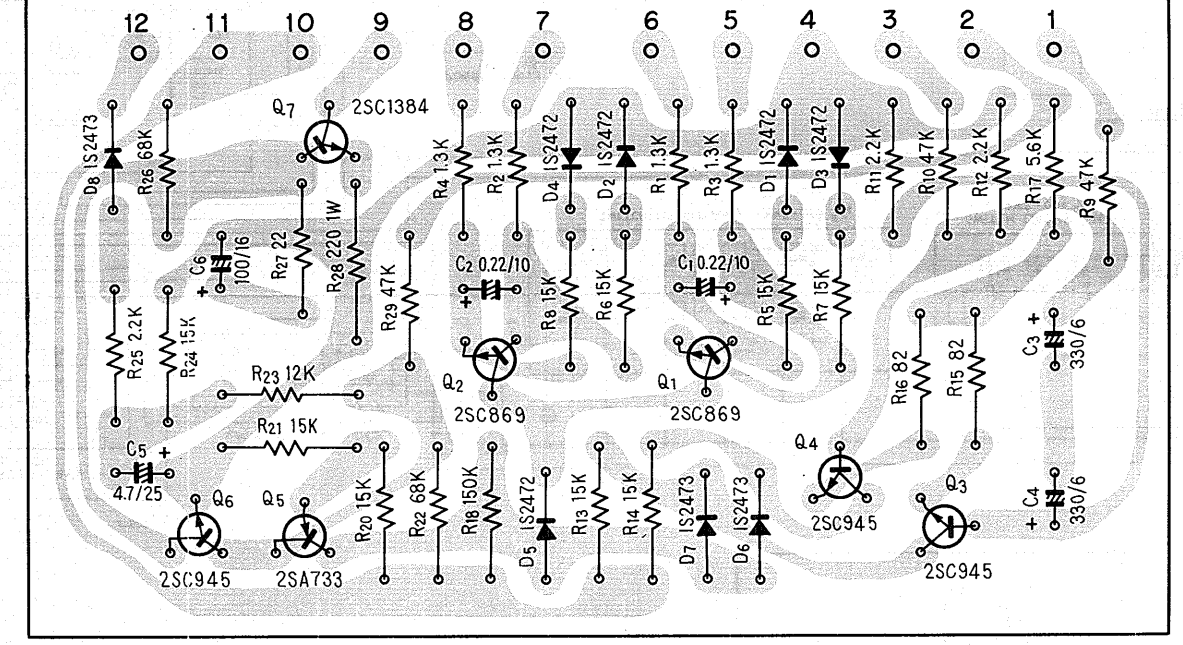
Equalizer amp ass'y AWF-013



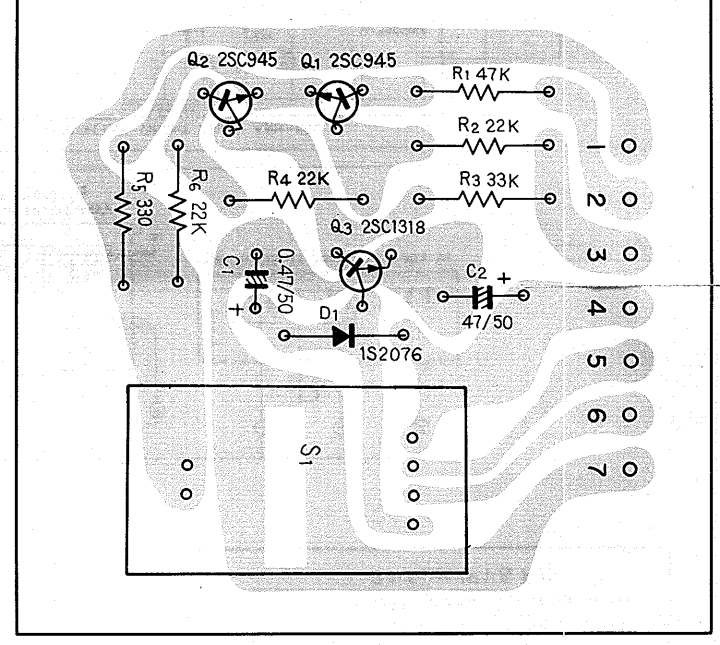
Control amp ass'y AWG-027



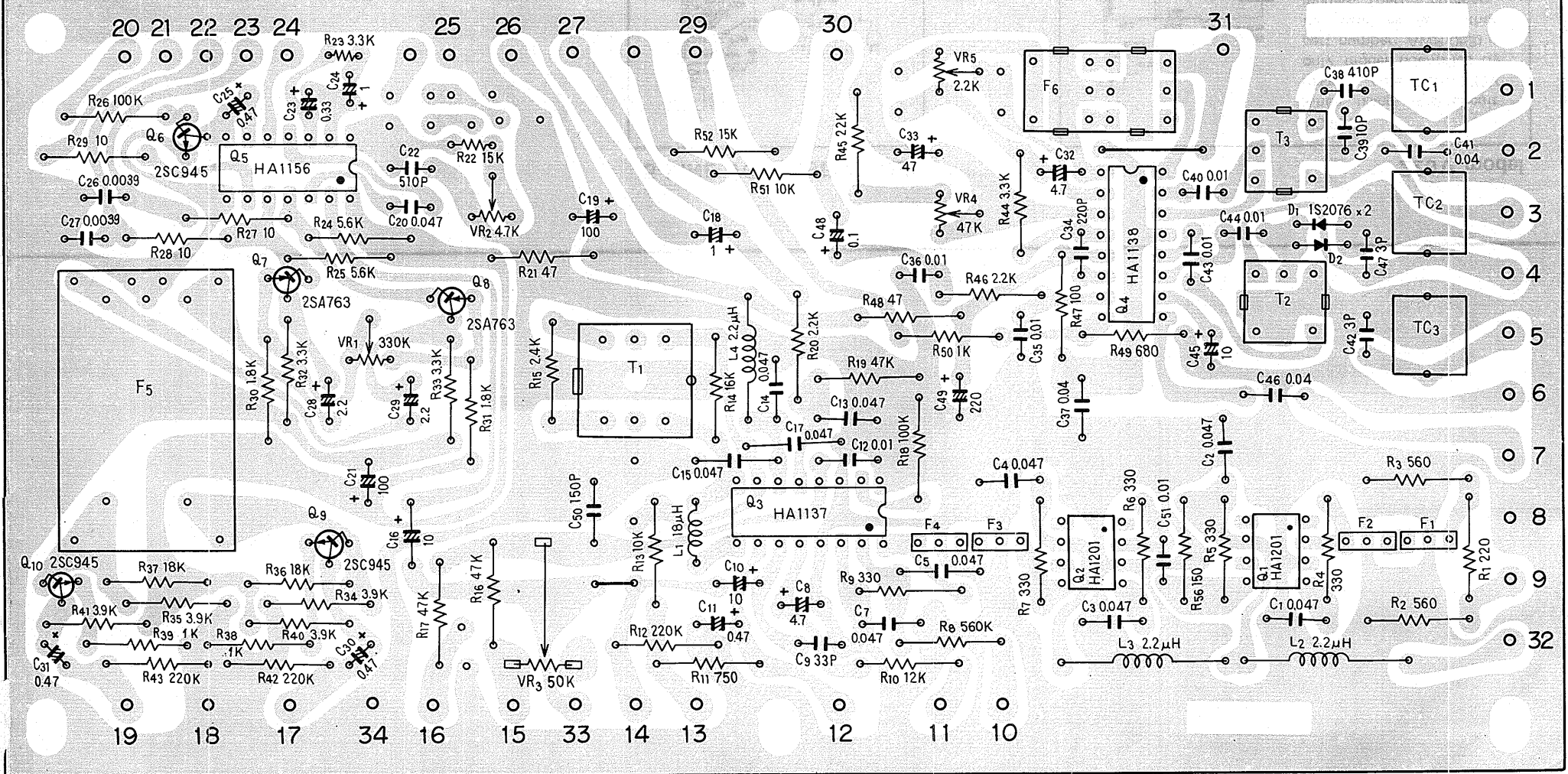
Protection circuit ass'y AWM-062



Muting circuit ass'y AWM-039



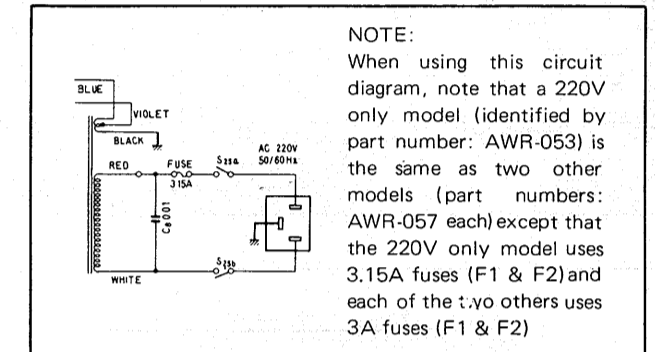
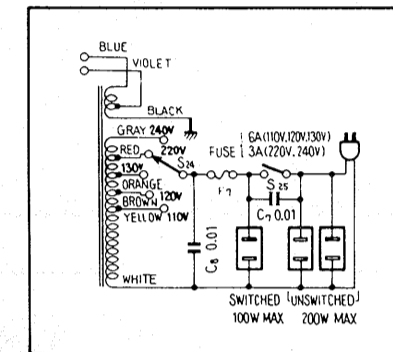
Tuner ass'y AWE-040



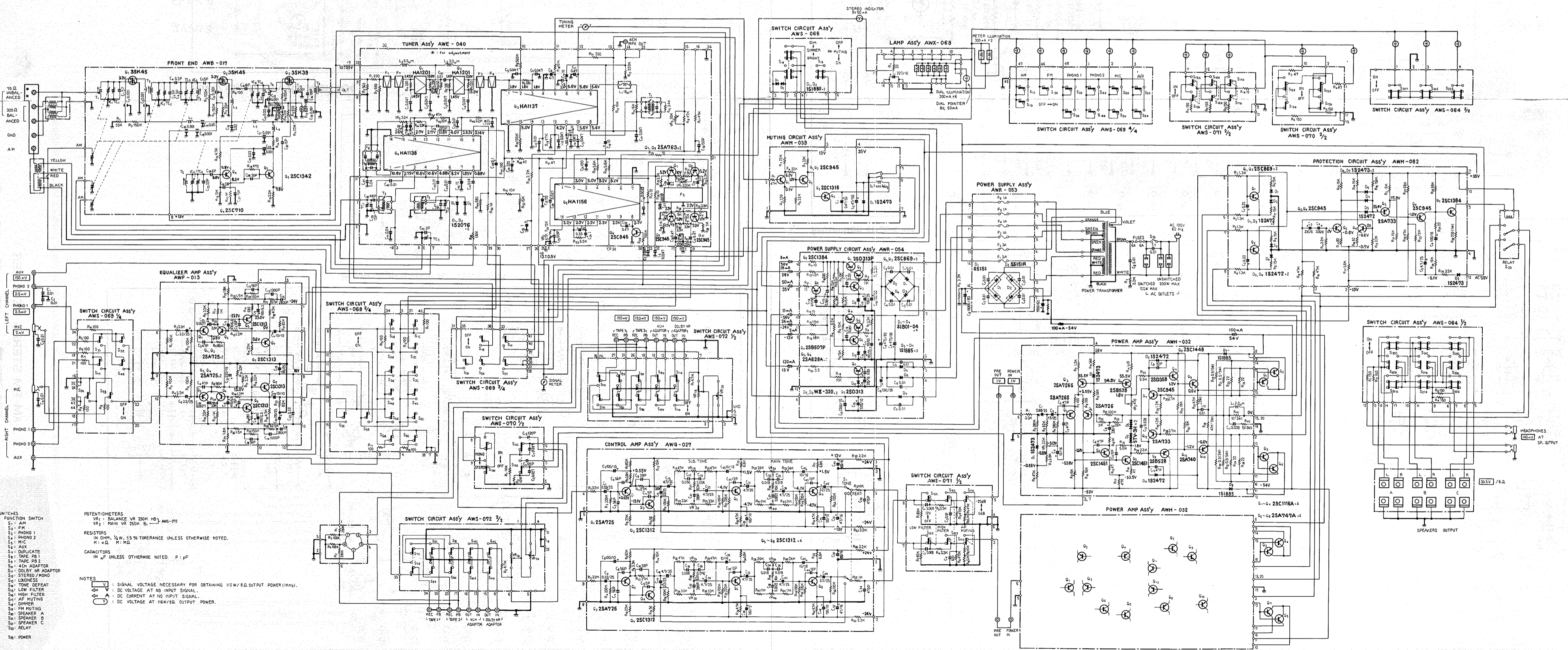
SX-1010

5-LINE VOLTAGE MODEL

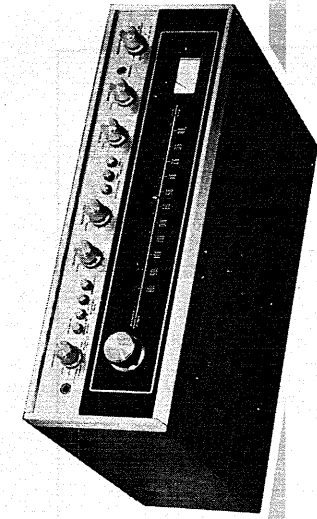
220V model



NOTE:
When using this circuit diagram, note that a 220V only model (identified by part number: AWR-053) is the same as two other models (part numbers: AWR-057 each) except that the 220V only model uses 3.15A fuses (F1 & F2) and each of the two others uses 3A fuses (F1 & F2)



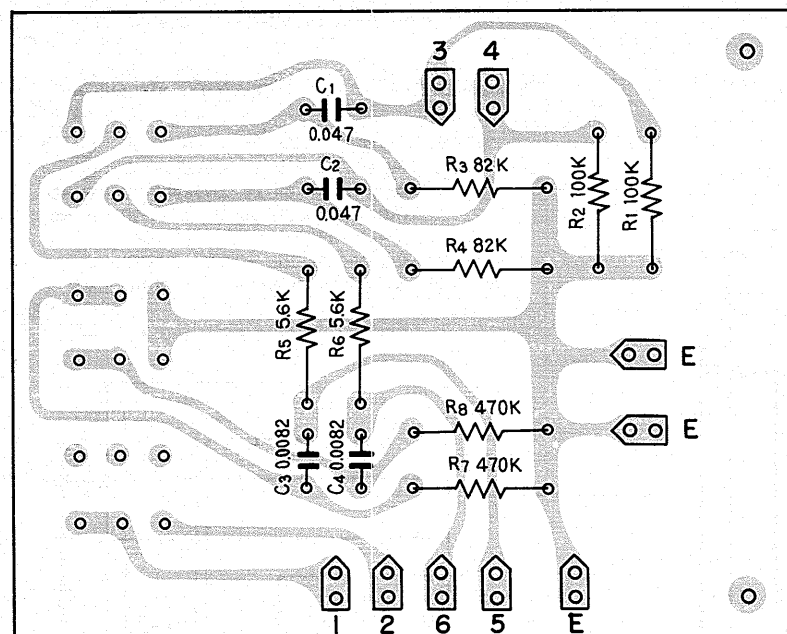
- SWITCHES**
FUNCTION SWITCH
S1 AM
S2 FM
S3 PHONO 1
S4 PHONO 2
S5 MIC
S6 AUX
S7 DUPLICATE
S8 TAPE PB1
S9 TAPE PB2
S10 CH. ADAPTOR
S11 DOLBY NR ADAPTOR
S12 STEREO/MONO
S13 LOWNESS
S14 TONE DEFEAT
S15 LOW FILTER
S16 HIGH FILTER
S17 AF MUTING
S18 DIMMER
S19 FM MUTING
S20 SPEAKER A
S21 SPEAKER B
S22 RELAY
S23 POWER
- POTENTIOMETERS**
VR1 BALANCE VR 200K H5-AWS-071
VR2 MAIN VR 200K BL
- RESISTORS**
IN OHM, 1/2W, 15% TOLERANCE UNLESS OTHERWISE NOTED.
R1-K, R2-10, R3-10K
- CAPACITORS**
IN μF UNLESS OTHERWISE NOTED. P: pF
- NOTES**
V: SIGNAL VOLTAGE NECESSARY FOR OBTAINING 15W/EG OUTPUT POWER (1KHz).
A: DC VOLTAGE AT NO INPUT SIGNAL.
I: DC CURRENT AT NO INPUT SIGNAL.
V: DC VOLTAGE AT 15W/EG OUTPUT POWER.



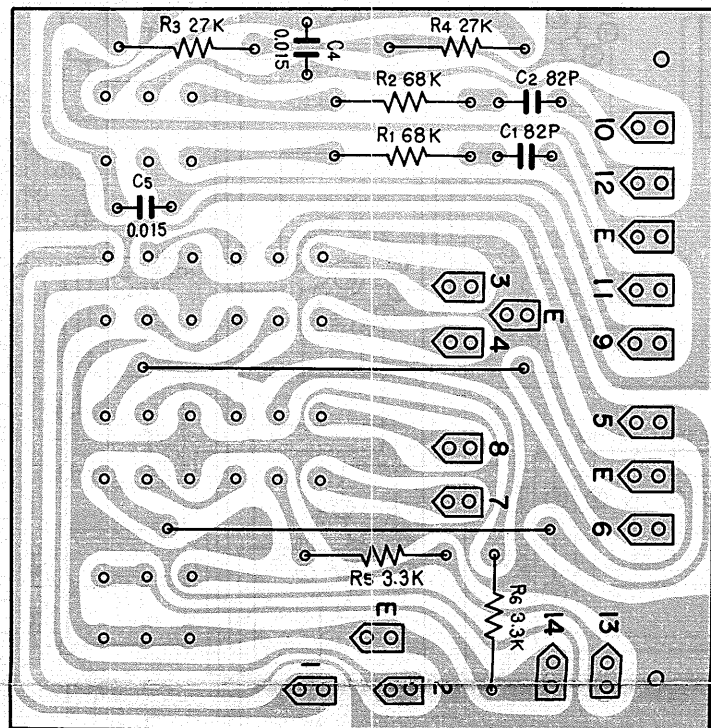
SX-3000

AM/FM STEREO RECEIVER

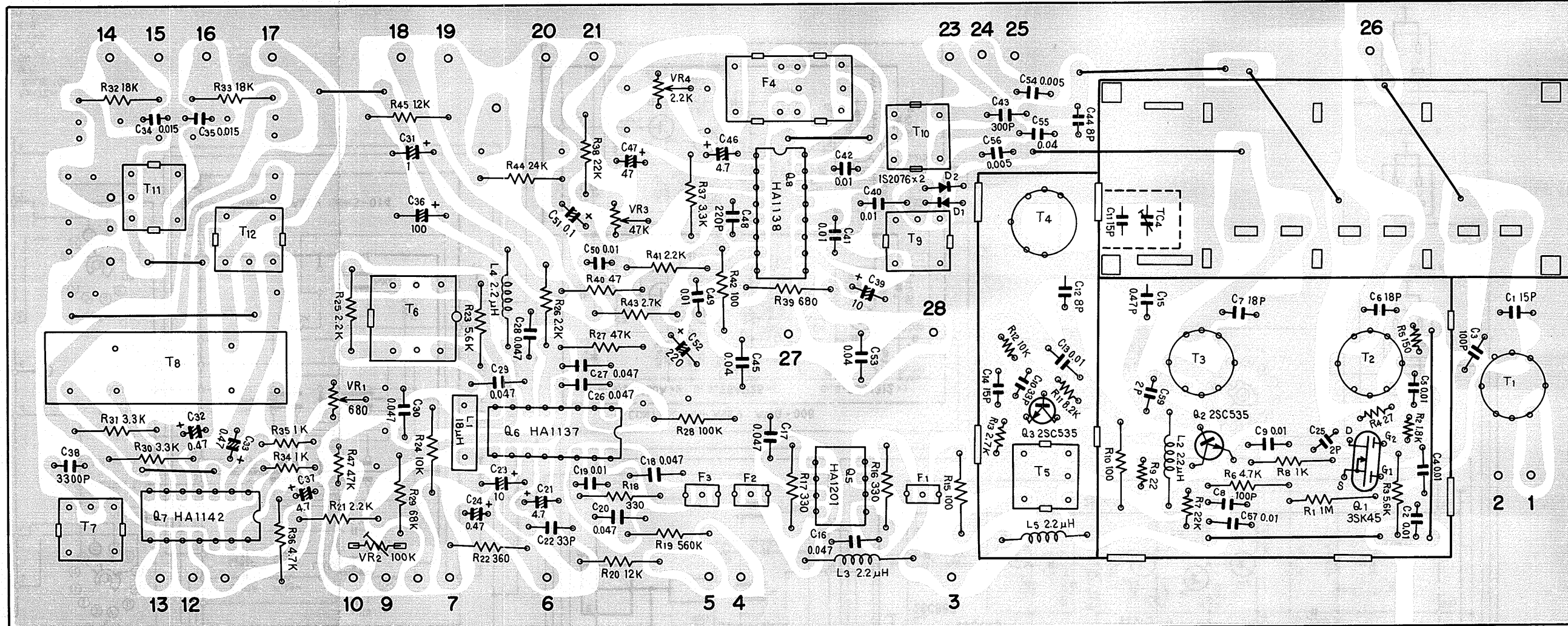
Switch circuit ass'y AWS-013



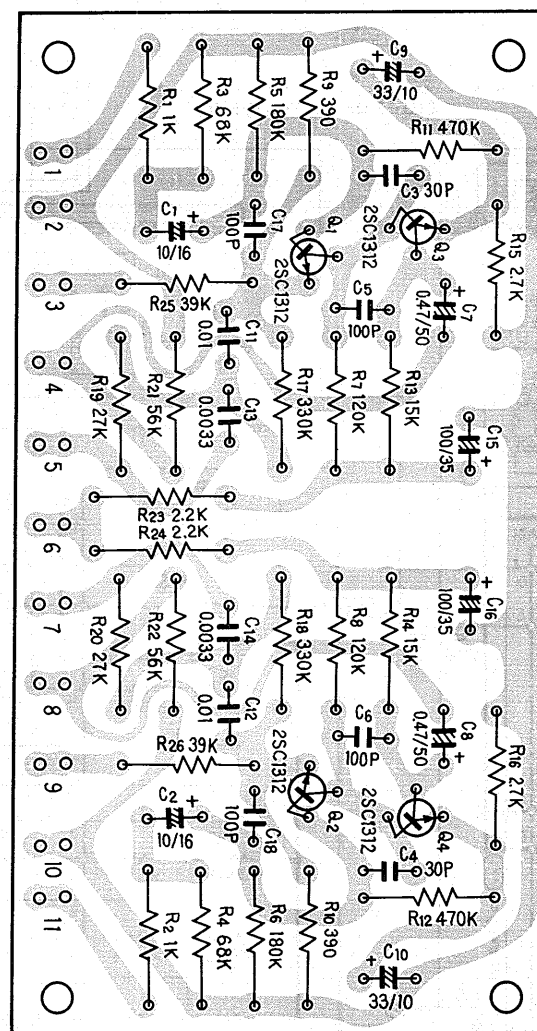
Switch circuit ass'y AWS-014



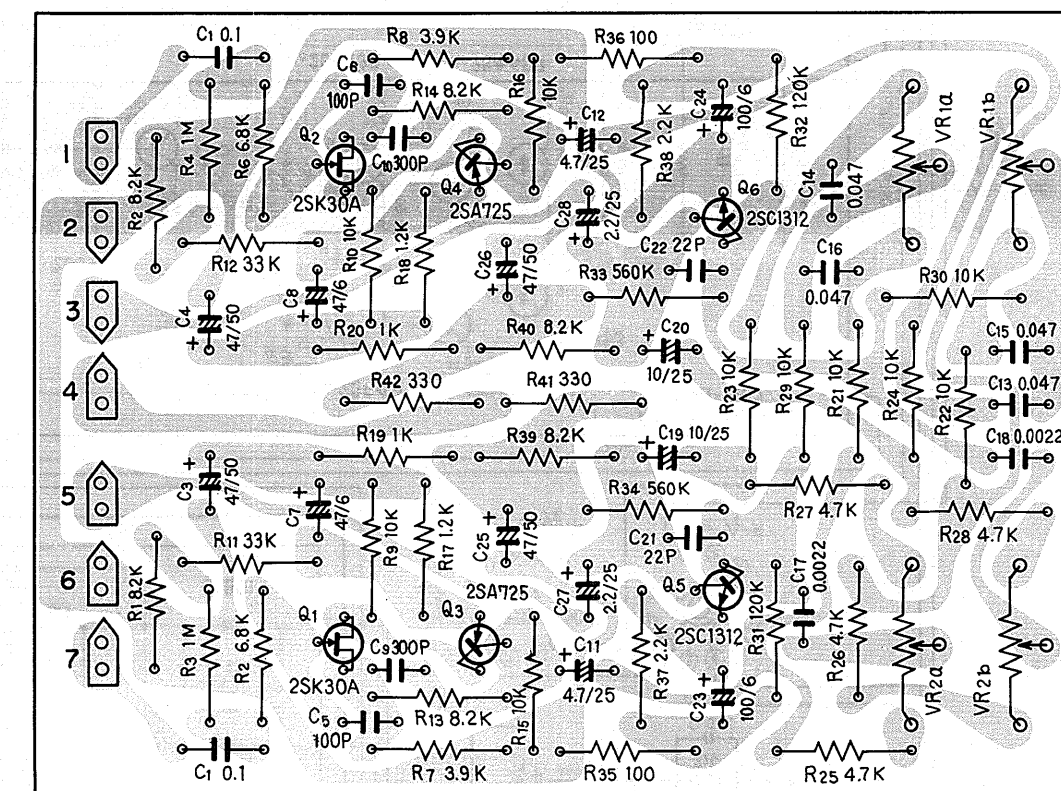
Tuner ass'y AWE-031



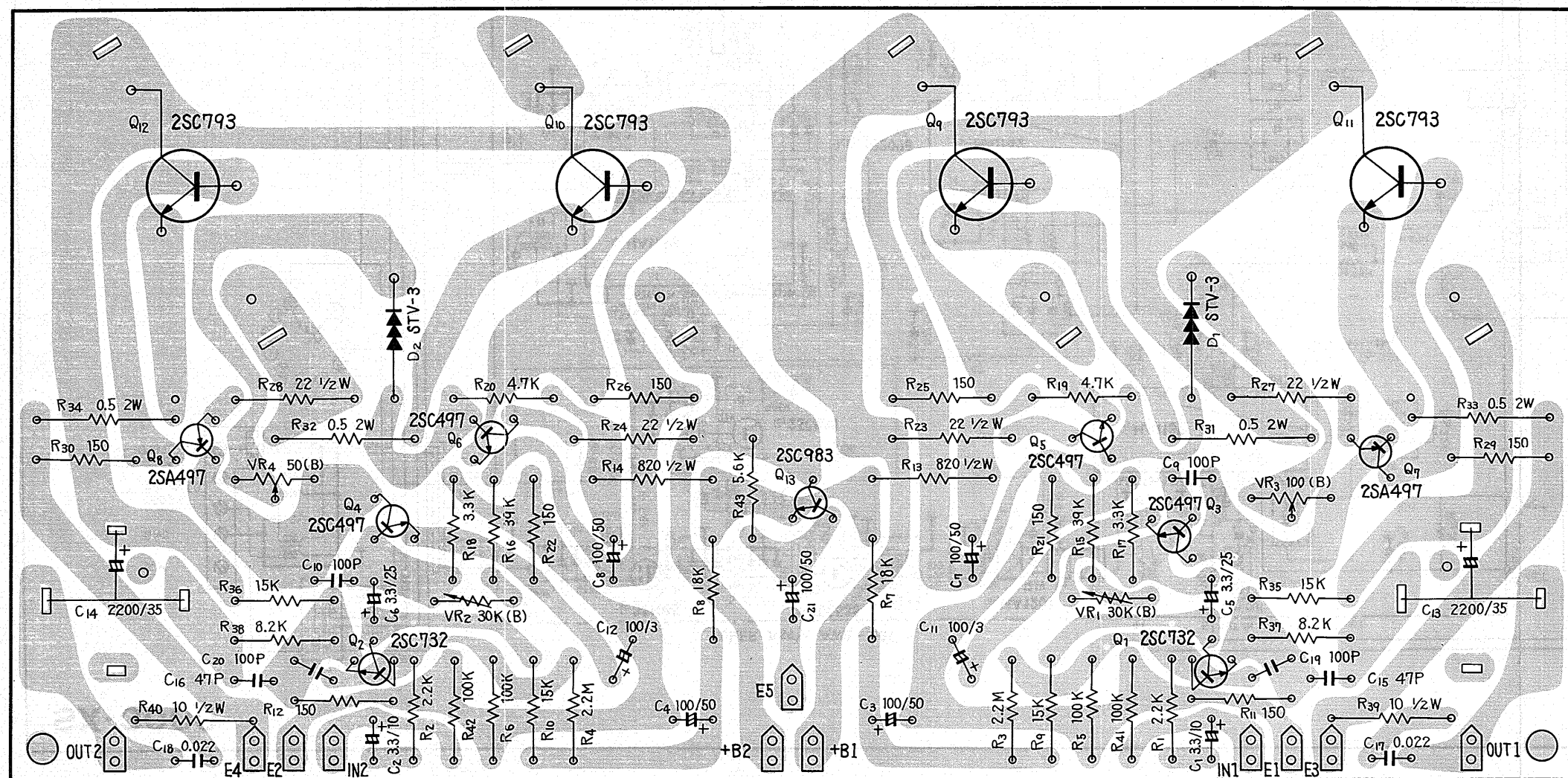
Equalizer amp ass'y W21-004



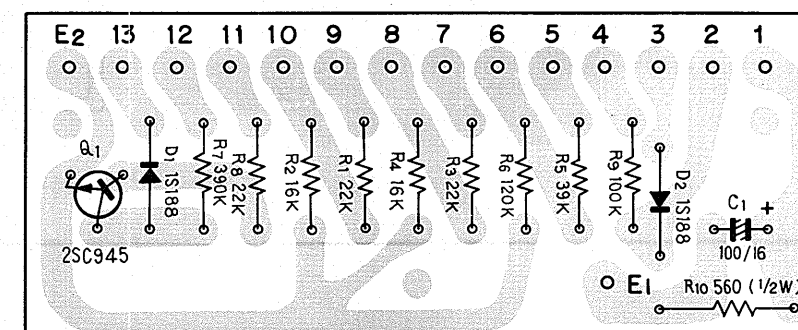
Control amp ass'y AWG-008



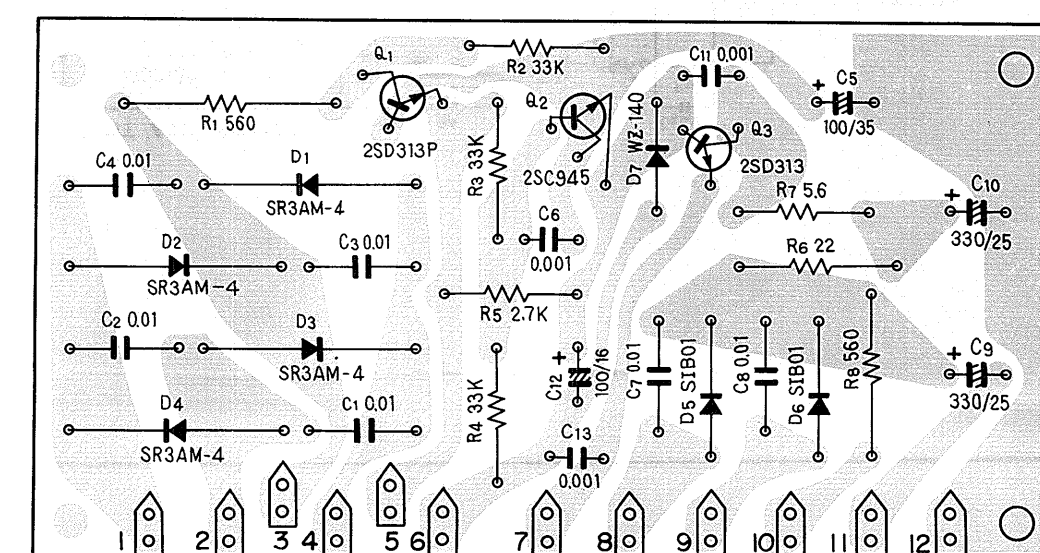
Power amp ass'y AWH-002



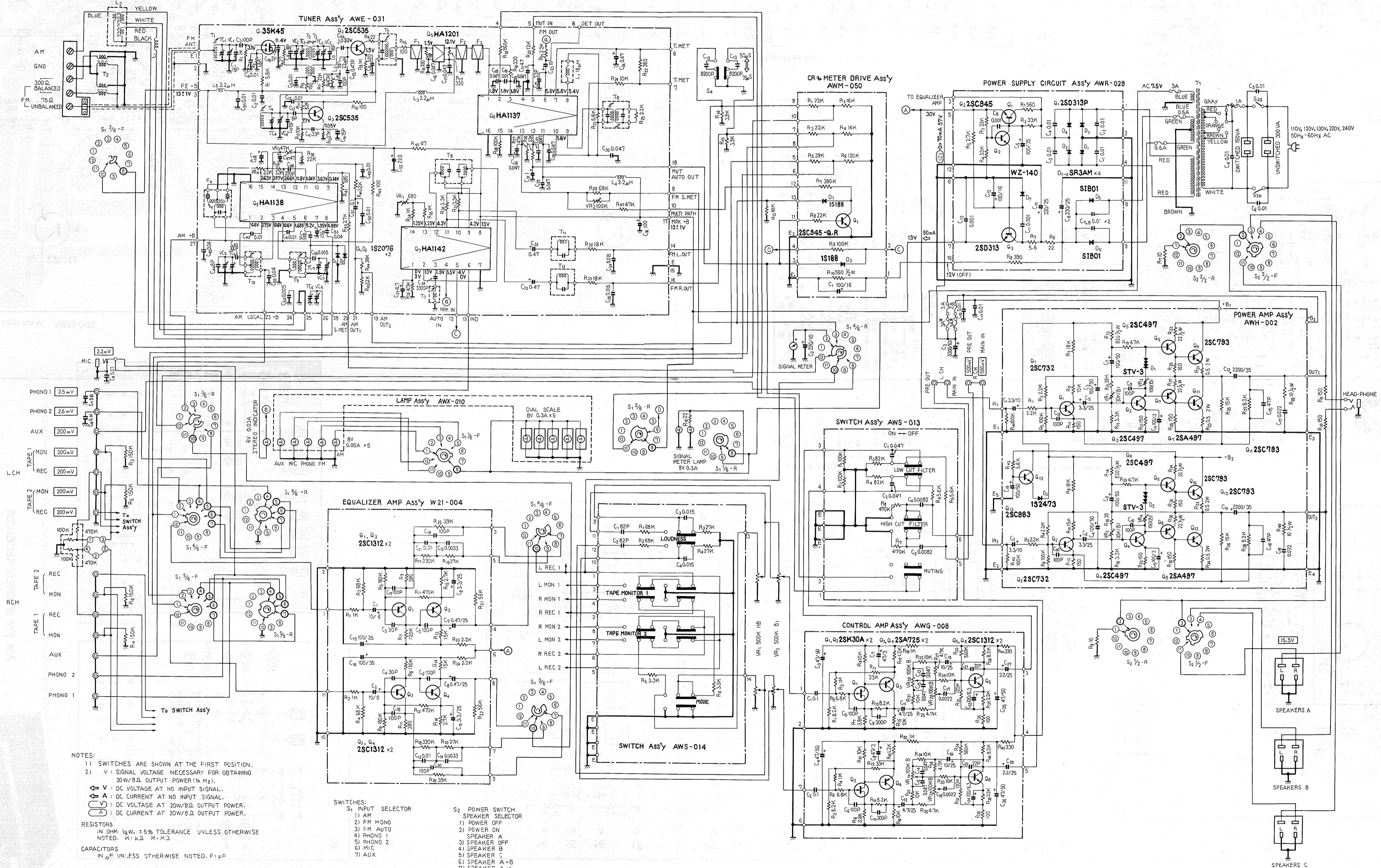
CR, meter drive ass'y AWM-050



Power supply ass'y AWR-029



SX-3000

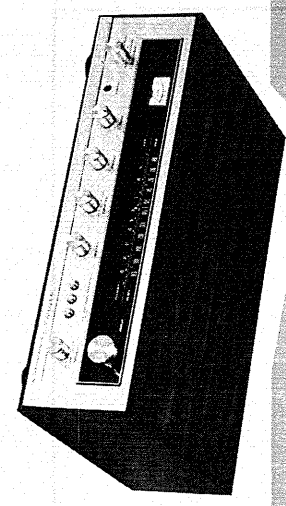


NOTES:
 1) SWITCHES ARE SHOWN AT THE FIRST POSITION.
 2) V: SIGNAL VOLTAGE NECESSARY FOR OBTAINING 20W/8Ω OUTPUT POWER (1K Hz).
 ⤴ V: DC VOLTAGE AT NO INPUT SIGNAL.
 ⤴ A: DC CURRENT AT NO INPUT SIGNAL.
 ⤴ V: DC VOLTAGE AT 20W/8Ω OUTPUT POWER.
 ⤴ A: DC CURRENT AT 20W/8Ω OUTPUT POWER.

RESISTORS
 IN OHM 1/2W, ±5% TOLERANCE UNLESS OTHERWISE NOTED. K: k.Ω M: M.Ω

CAPACITORS
 IN μF UNLESS OTHERWISE NOTED. P: pF

- SWITCHES:
- S₁ INPUT SELECTOR
 - 1) AM
 - 2) FM MONO
 - 3) FM AUTO
 - 4) PHONO 1
 - 5) PHONO 2
 - 6) MIC
 - 7) AUX
 - S₂ POWER SWITCH
 SPEAKER SELECTOR
 - 1) POWER OFF
 - 2) POWER ON
 - 3) SPEAKER OFF
 - 4) SPEAKER A
 - 5) SPEAKER B
 - 6) SPEAKER A+B
 - 7) SPEAKER A+C

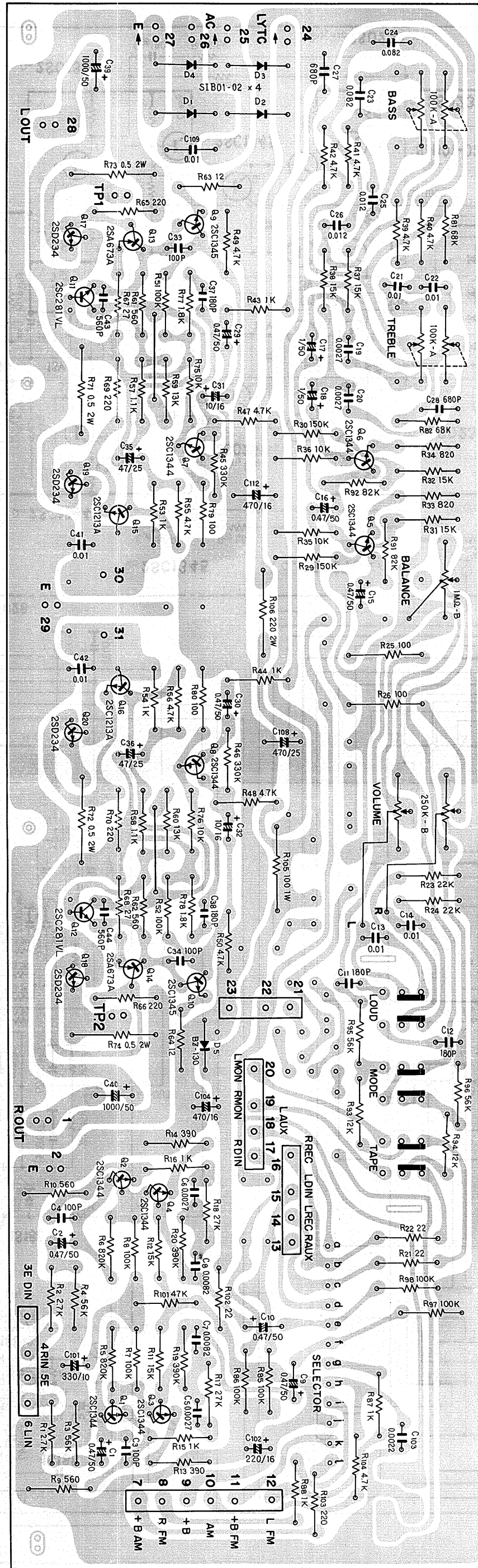


AM/FM STEREO RECEIVER
SOUND PROJECT
BY PIONEER MODEL 300
KCW KJW

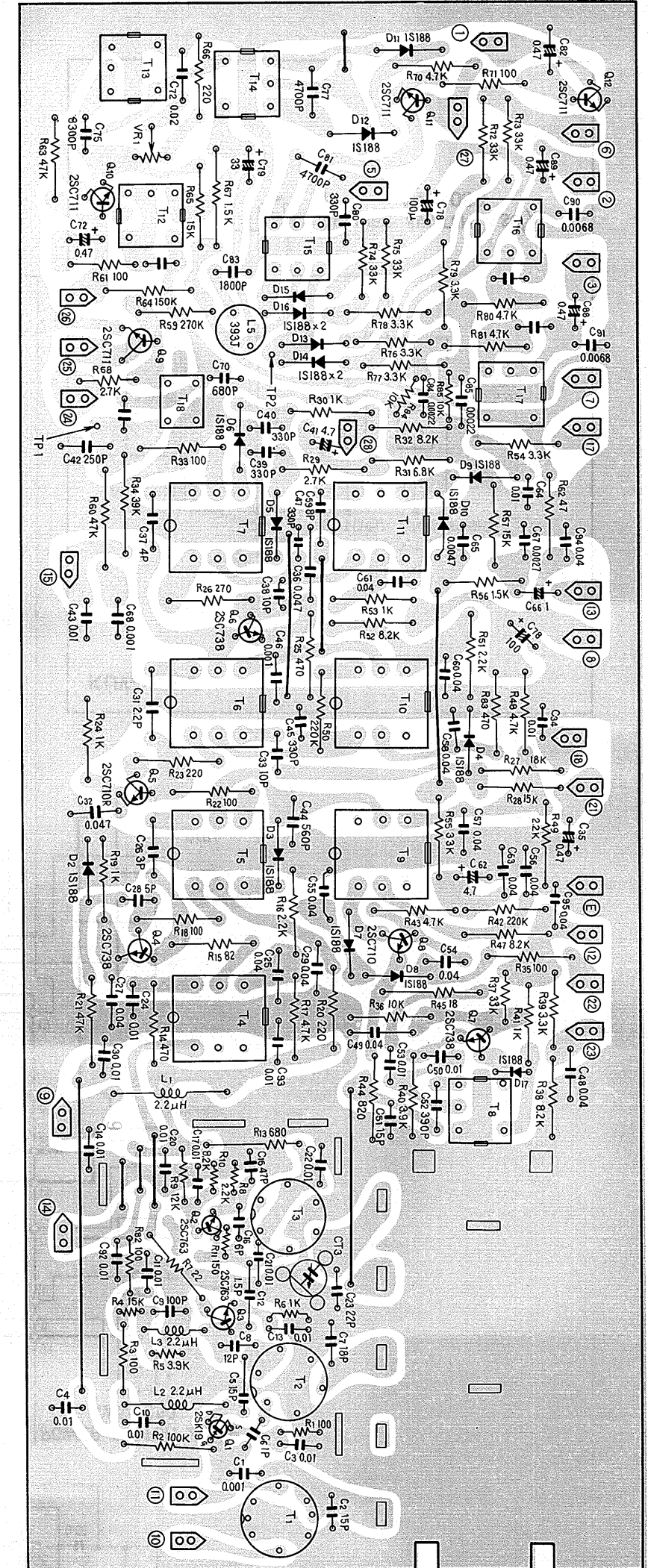
15

MODEL 300

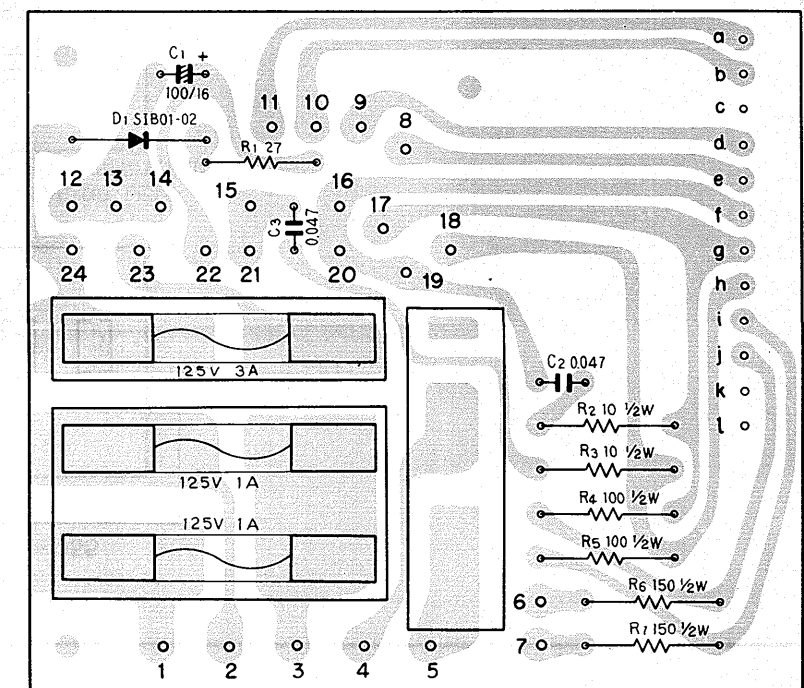
AF amp ass'y AWK-028



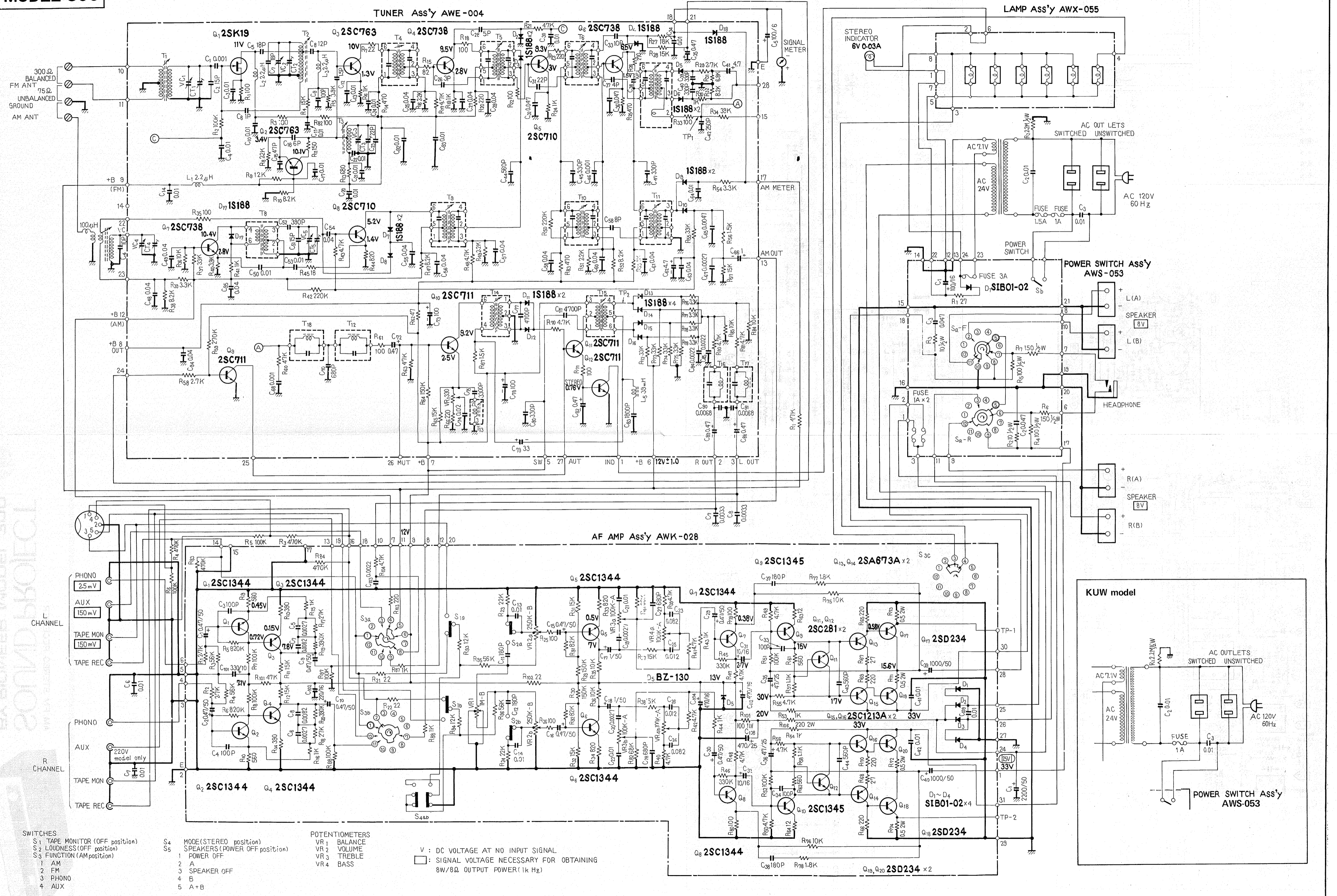
Tuner ass'y AWE-004



Power switch ass'y AWS-053



MODEL 300



PHONO 2.5 mV
 AUX 150 mV
 TAPE MON 150 mV
 TAPE REC

L CHANNEL

PHONO
 AUX
 TAPE MON
 TAPE REC

R CHANNEL

SWITCHES

S₁ TAPE MONITOR (OFF position)
 S₂ LOUDNESS (OFF position)
 S₃ FUNCTION (AM position)

1 AM
 2 FM
 3 PHONO
 4 AUX

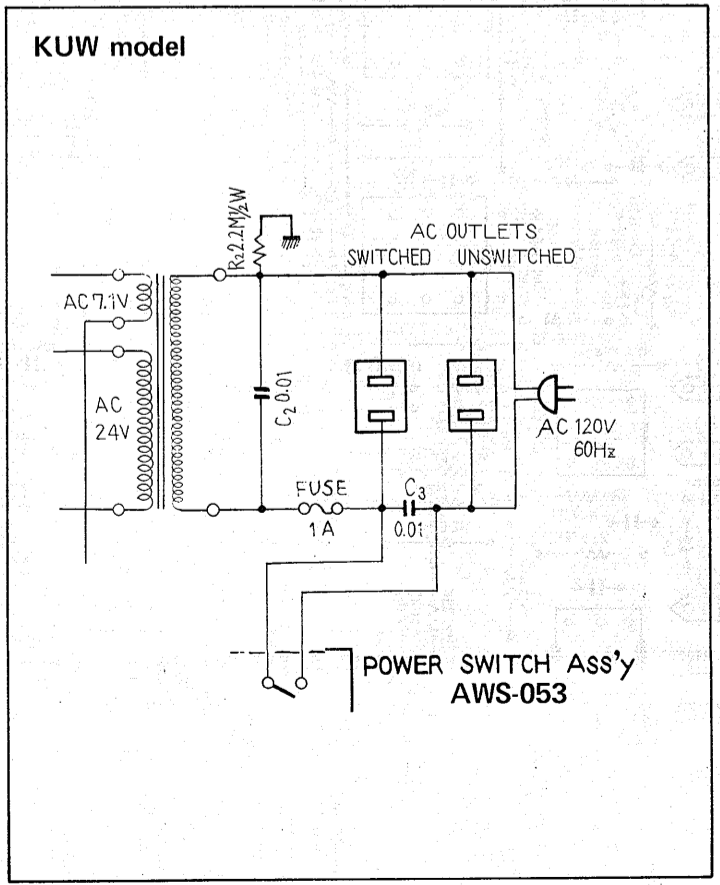
S₄ MODE (STEREO position)
 S₅ SPEAKERS (POWER OFF position)

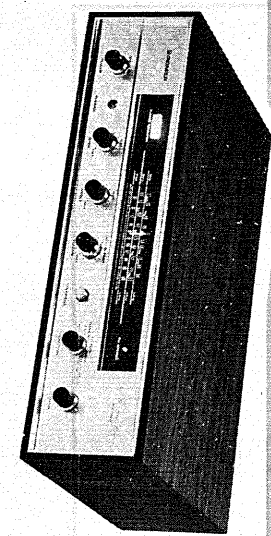
1 POWER OFF
 2 A
 3 SPEAKER OFF
 4 B
 5 A+B

POTENTIOMETERS

VR₁ BALANCE
 VR₂ VOLUME
 VR₃ TREBLE
 VR₄ BASS

V : DC VOLTAGE AT NO INPUT SIGNAL
 □ : SIGNAL VOLTAGE NECESSARY FOR OBTAINING 8W/8Ω OUTPUT POWER (1k Hz)

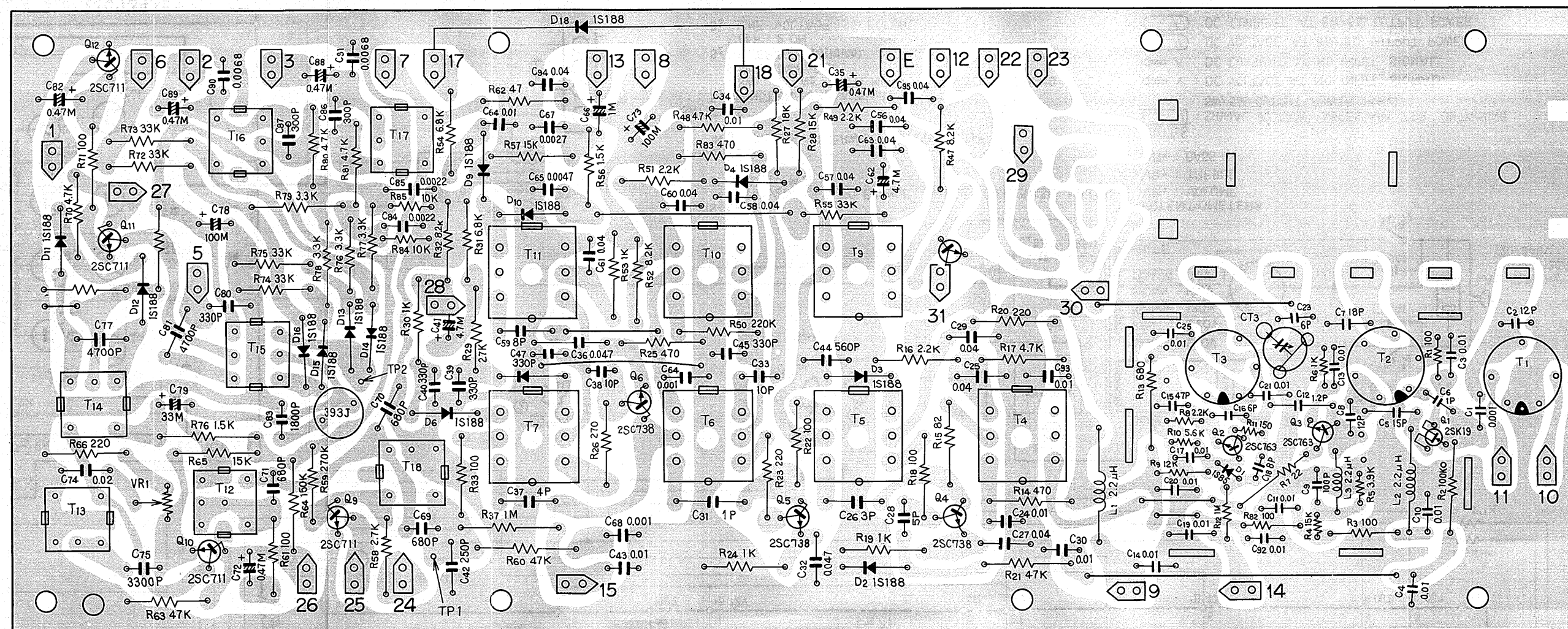




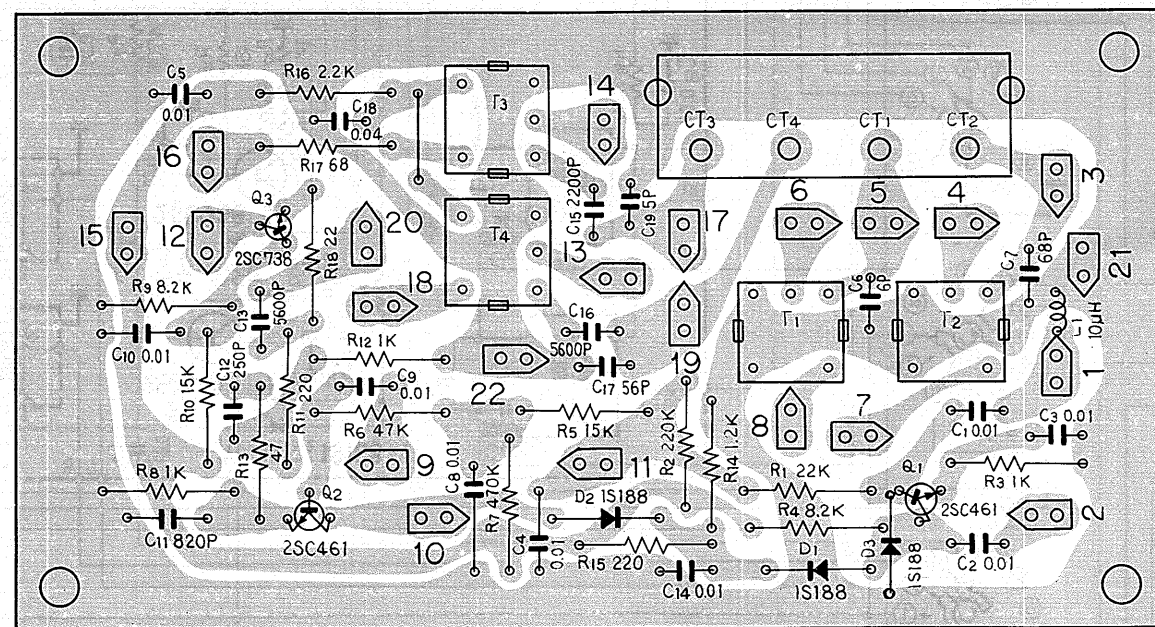
SW/MW/FM STEREO RECEIVER
KX-303
FSAW

16

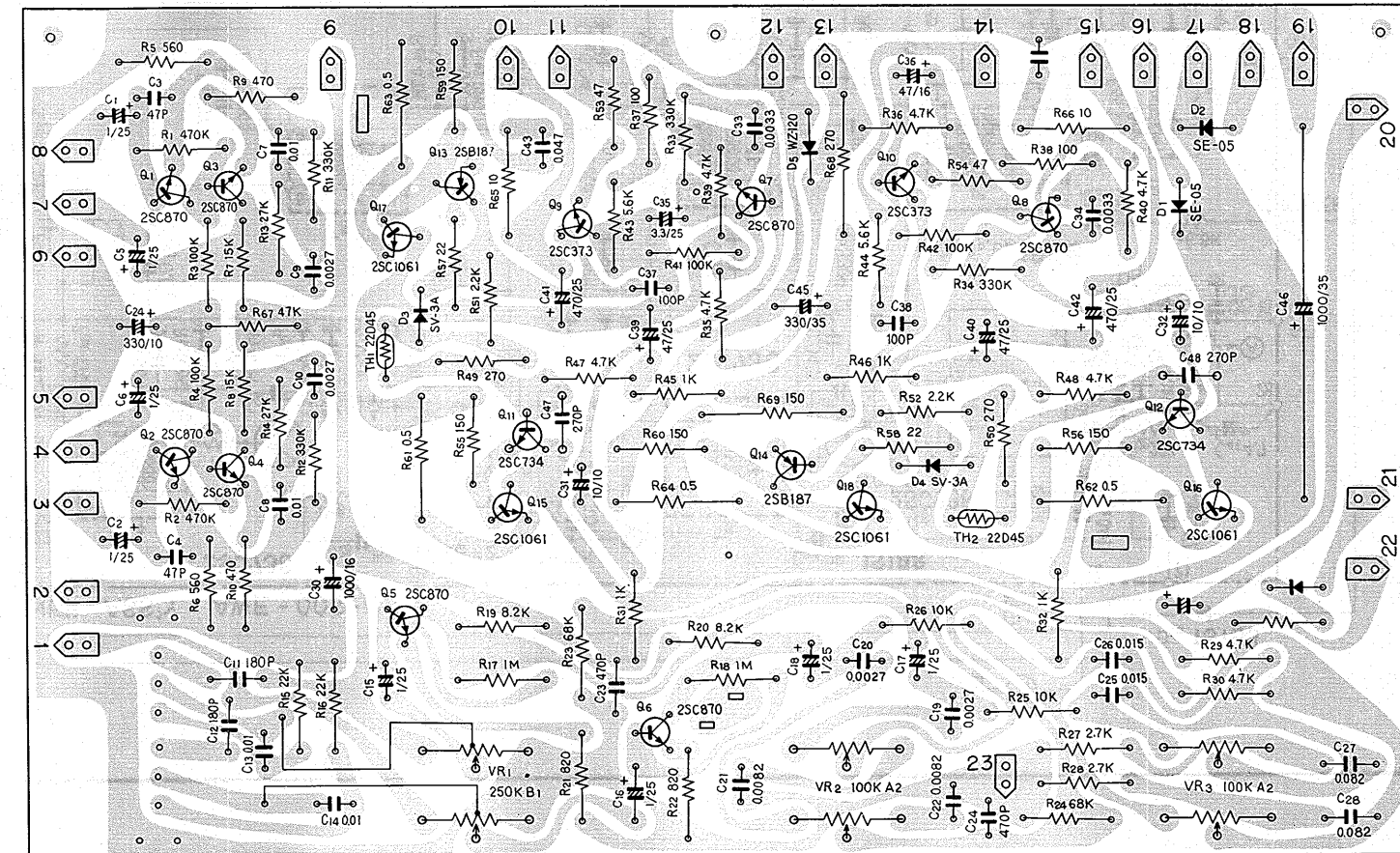
Tuner ass'y AWE-006



AM front end ass'y AWA-001

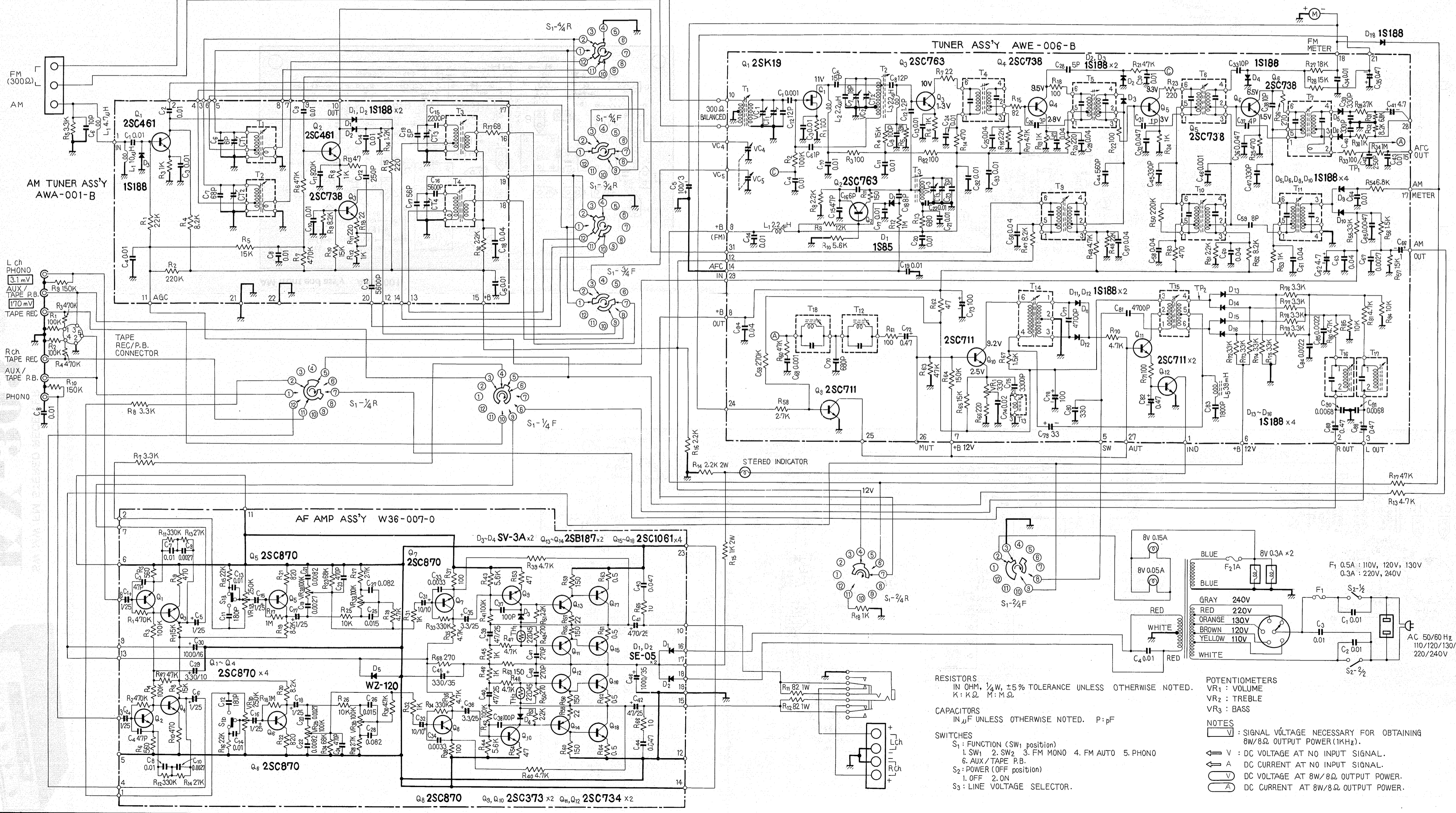


AF amp ass'y W36-007



KX-303

KX-303



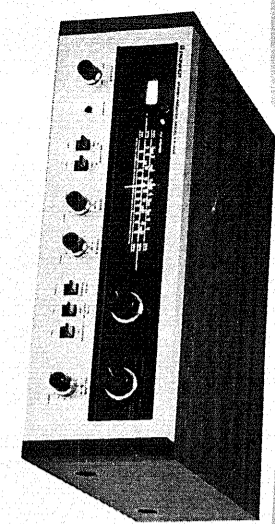
RESISTORS
 IN OHM, 1/4W, ±5% TOLERANCE UNLESS OTHERWISE NOTED.
 K: K.Ω M: M.Ω

CAPACITORS
 IN μF UNLESS OTHERWISE NOTED. P: pF

SWITCHES
 S₁: FUNCTION (SW₁ POSITION)
 1. SW₁ 2. SW₂ 3. FM MONO 4. FM AUTO 5. PHONO
 6. AUX/TAPE P.B.
 S₂: POWER (OFF POSITION)
 1. OFF 2. ON
 S₃: LINE VOLTAGE SELECTOR.

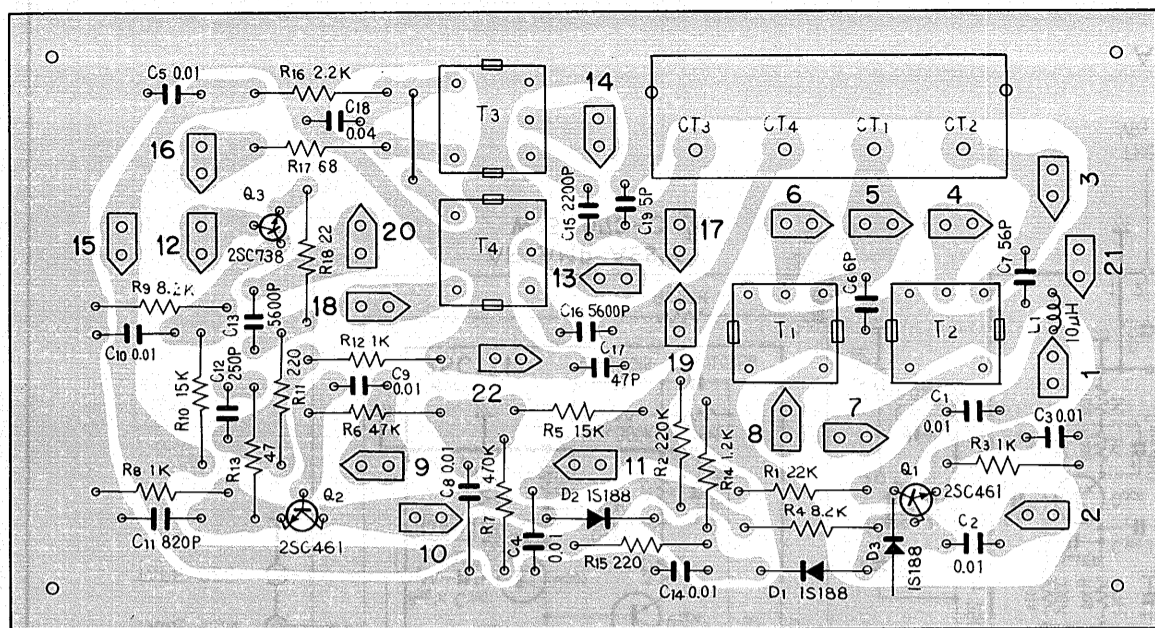
POTENTIOMETERS
 VR₁: VOLUME
 VR₂: TREBLE
 VR₃: BASS

NOTES
 [V]: SIGNAL VOLTAGE NECESSARY FOR OBTAINING 8W/8Ω OUTPUT POWER (1KHz).
 [← V]: DC VOLTAGE AT NO INPUT SIGNAL.
 [← A]: DC CURRENT AT NO INPUT SIGNAL.
 [V]: DC VOLTAGE AT 8W/8Ω OUTPUT POWER.
 [A]: DC CURRENT AT 8W/8Ω OUTPUT POWER.

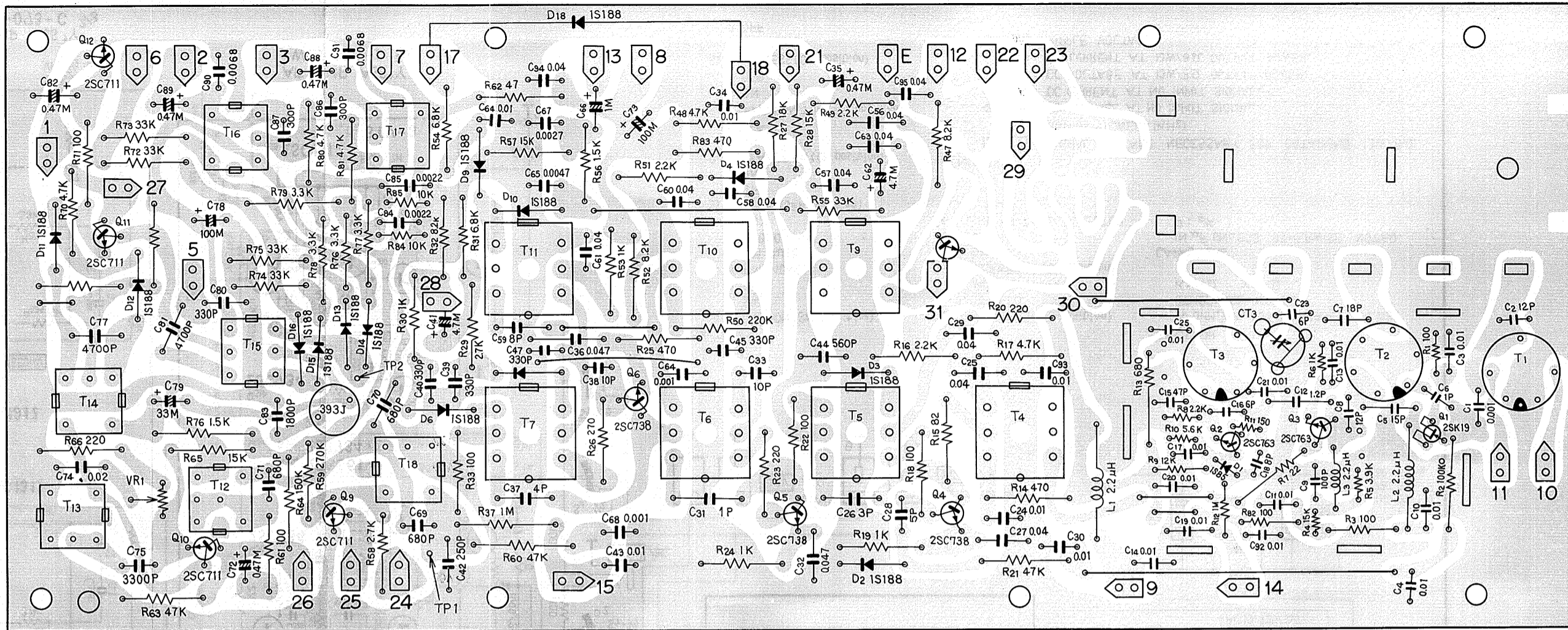


SW/MW/FM STEREO RECEIVER
KX-404
FSAW

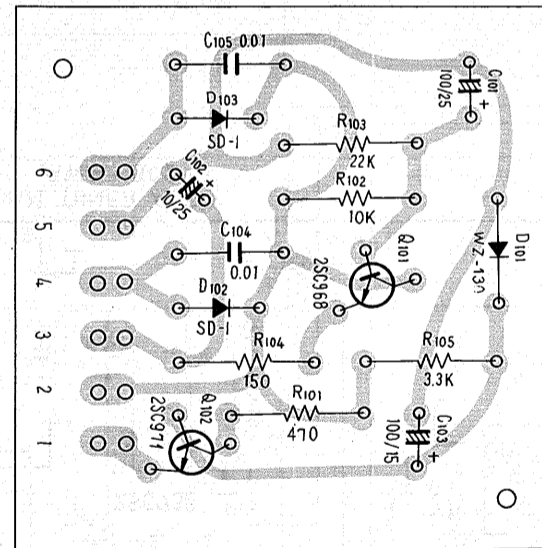
AM front end ass'y AWA-002



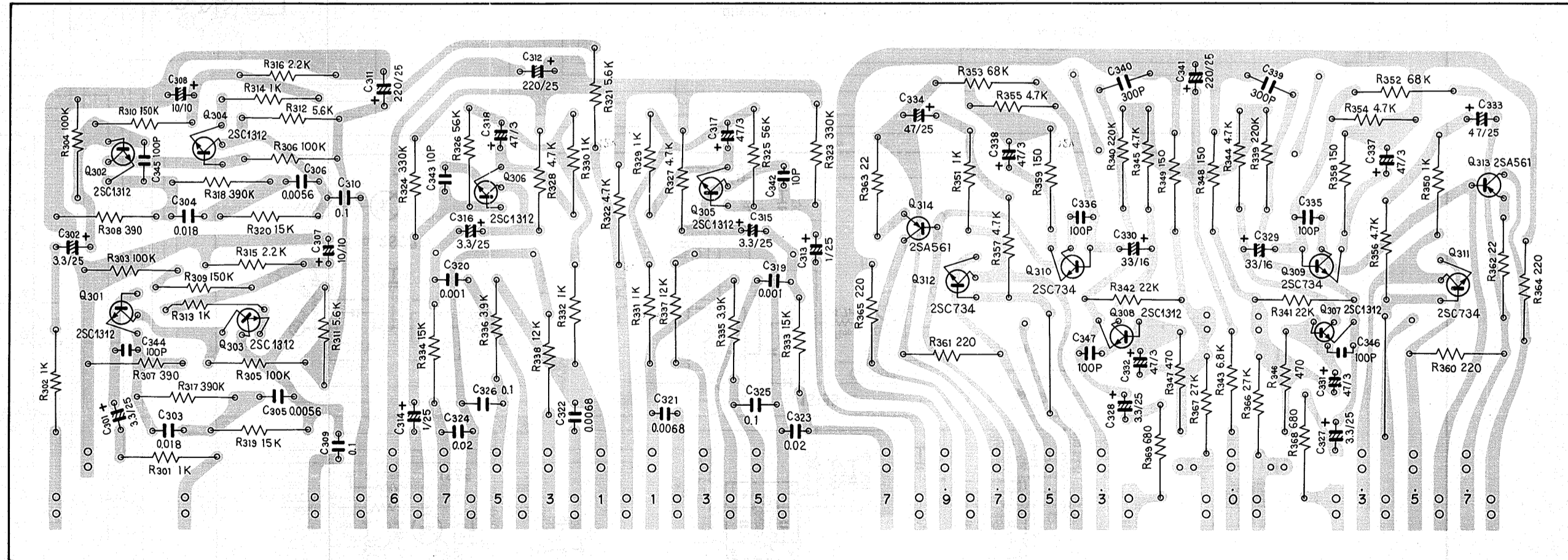
Tuner ass'y AWE-006

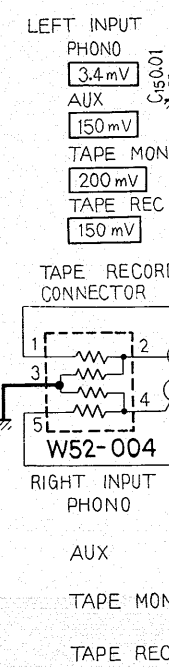
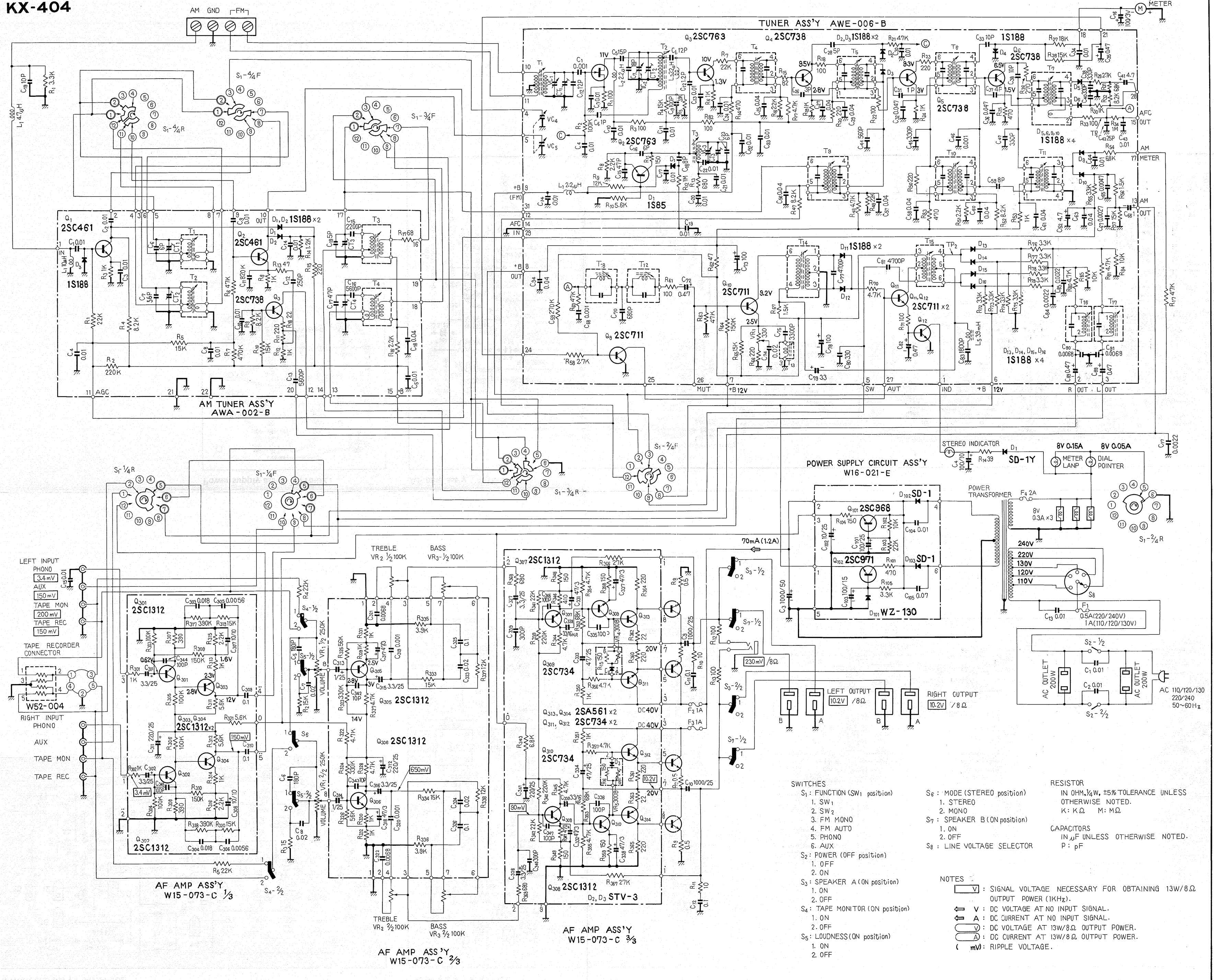


Power supply ass'y W16-021



AF amp ass'y W15-073

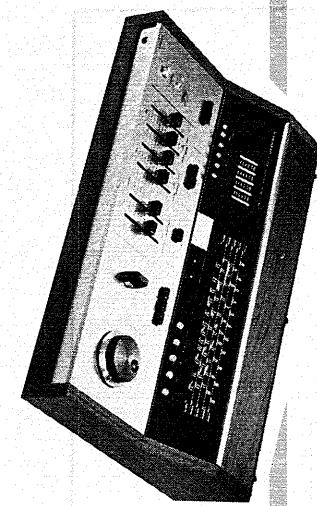




- SWITCHES**
- S₁: FUNCTION (SW₁ position)
 - 1. SW₁
 - 2. SW₂
 - 3. FM MONO
 - 4. FM AUTO
 - 5. PHONO
 - 6. AUX
 - S₂: POWER (OFF position)
 - 1. OFF
 - 2. ON
 - S₃: SPEAKER A (ON position)
 - 1. ON
 - 2. OFF
 - S₄: TAPE MONITOR (ON position)
 - 1. ON
 - 2. OFF
 - S₅: LOUDNESS (ON position)
 - 1. ON
 - 2. OFF

- RESISTOR**
- IN OHM, ¼W, ±5% TOLERANCE UNLESS OTHERWISE NOTED.
K: KΩ M: MΩ
- CAPACITORS**
- IN μF UNLESS OTHERWISE NOTED.
P: pF

- NOTES**
- ⎓: SIGNAL VOLTAGE NECESSARY FOR OBTAINING 13W/8.0 OUTPUT POWER (1KHz).
 - ⎓ V: DC VOLTAGE AT NO INPUT SIGNAL.
 - ⎓ A: DC CURRENT AT NO INPUT SIGNAL.
 - ⎓ V: DC VOLTAGE AT 13W/8.0 OUTPUT POWER.
 - ⎓ A: DC CURRENT AT 13W/8.0 OUTPUT POWER.
 - (mV): RIPPLE VOLTAGE.

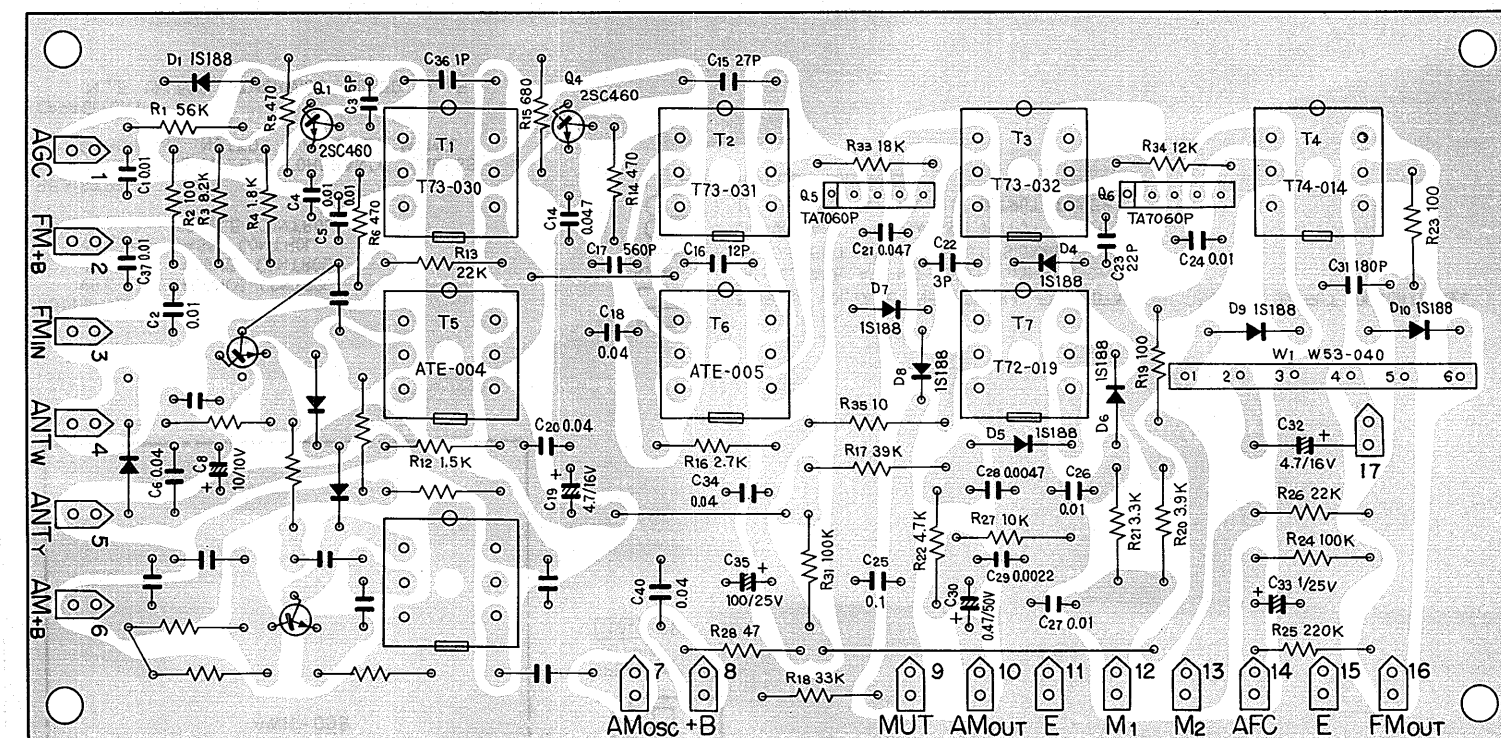


KX-505

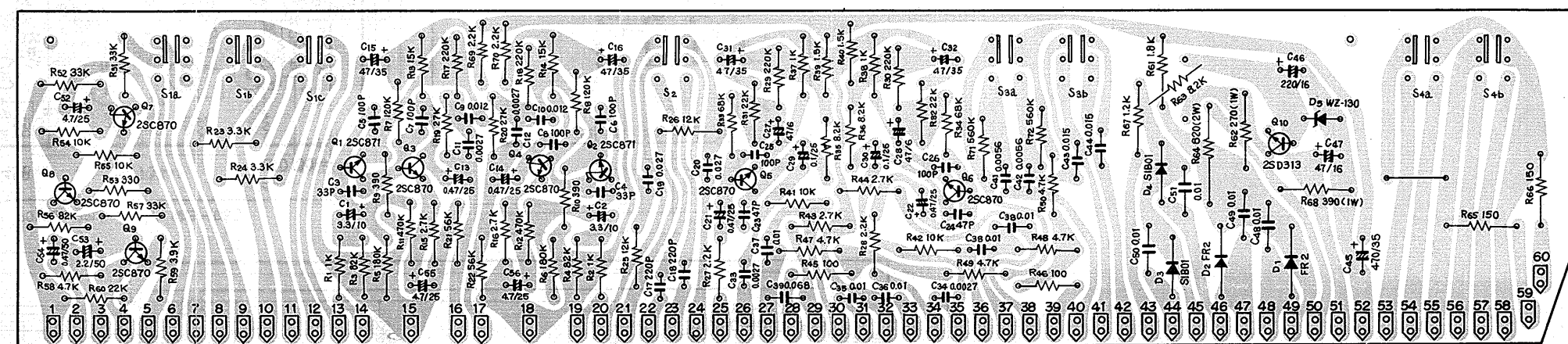
SW/MW/FM STEREO RECEIVER
FSAW

18

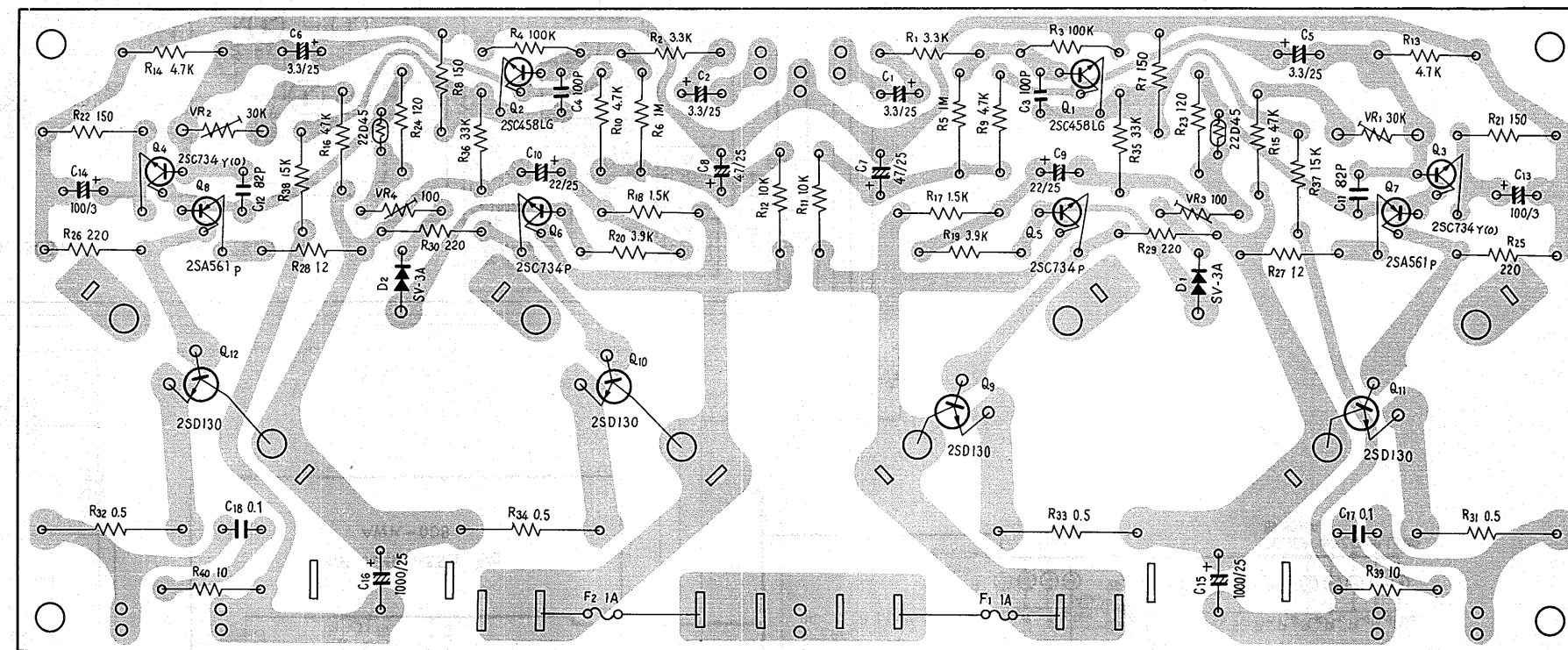
Tuner ass'y AWE-014



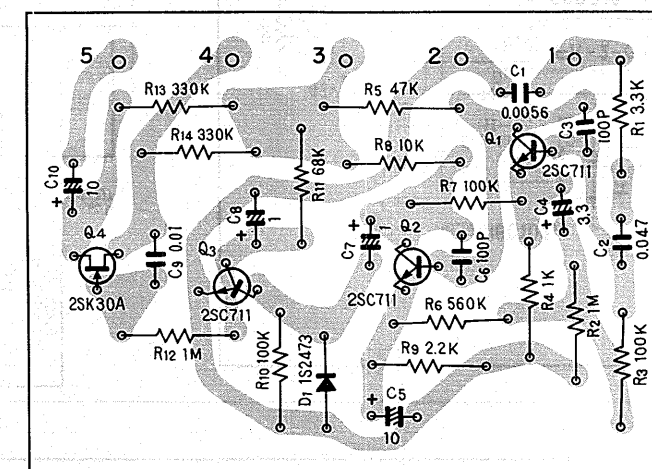
AF amp ass'y AWK-009



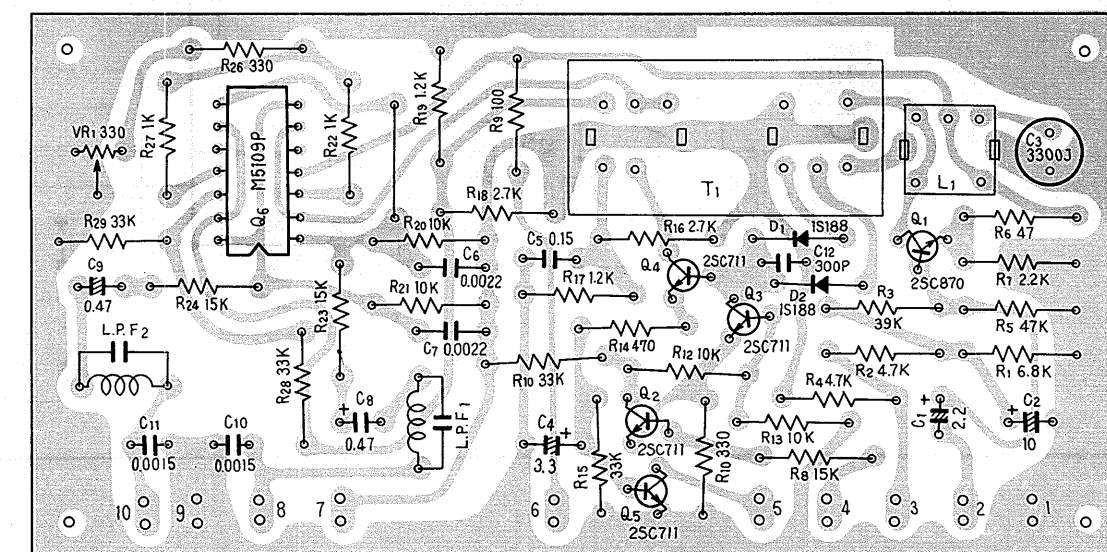
Power amp ass'y W15-055



Switching circuit ass'y AWX-031



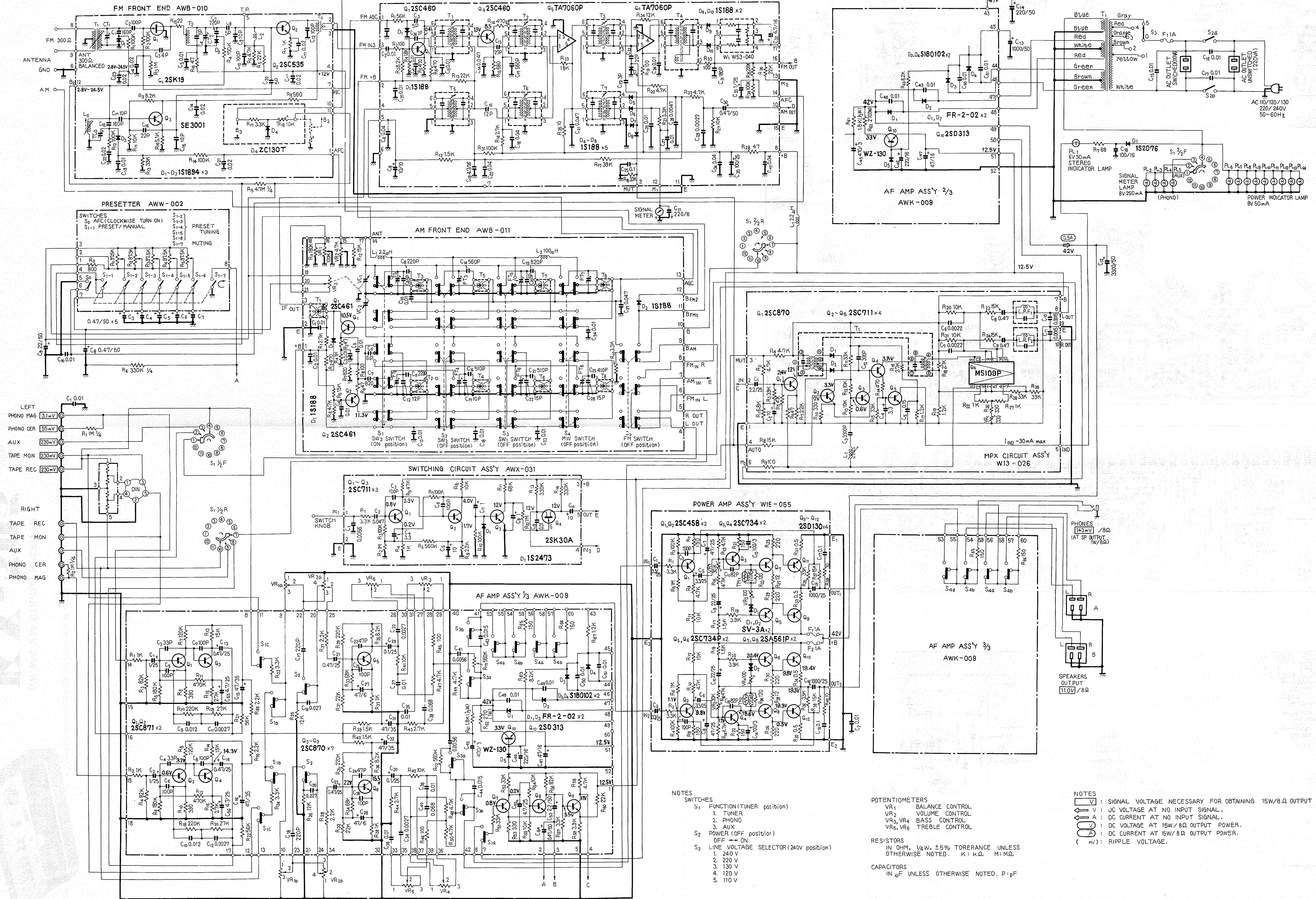
MPX circuit ass'y W13-026



KX-202

KX-505

TUNER ASS'Y AWE-014



NOTES
 SWITCHES
 S1 FUNCTION (TUNER position)
 1. TUNER
 2. PHONO
 3. AUX
 S2 POWER (OFF position)
 OFF
 ON
 S3 LINE VOLTAGE SELECTOR (240V position)
 1. 240 V
 2. 220 V
 3. 130 V
 4. 120 V
 5. 110 V

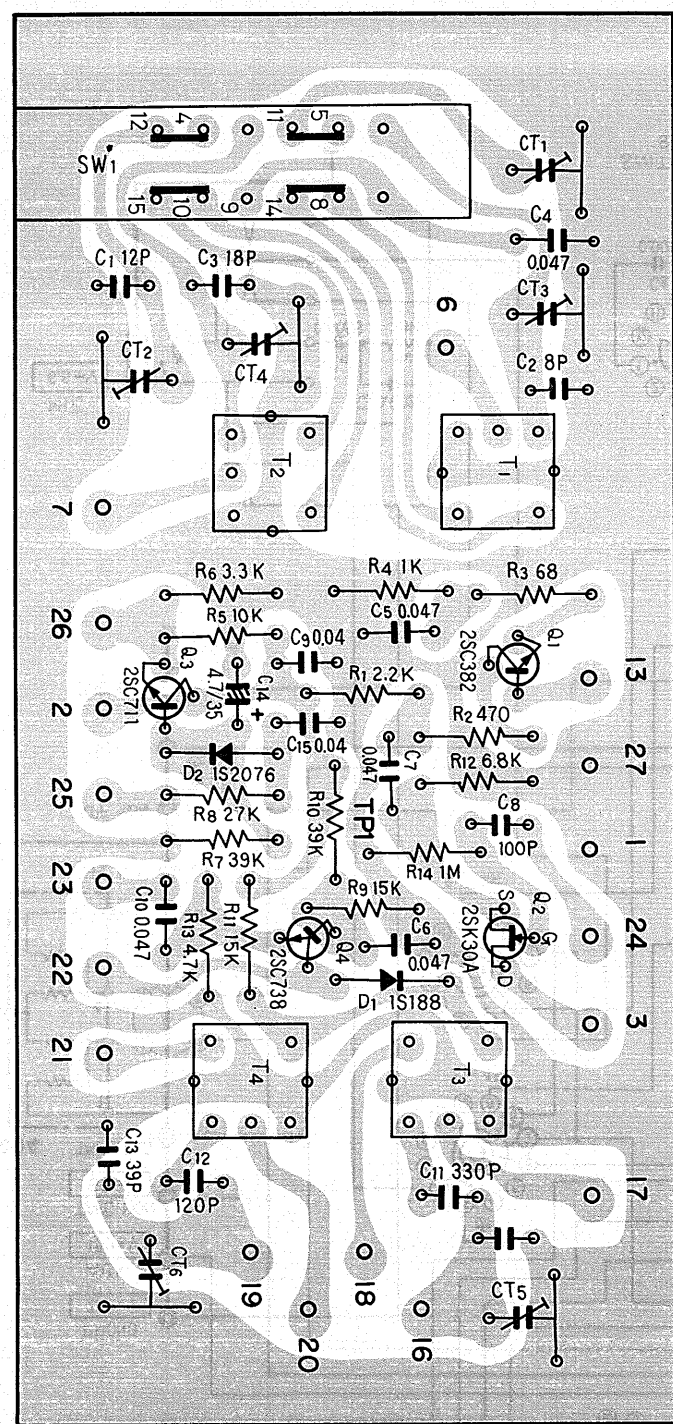
POTENTIOMETERS
 VR1 BALANCE CONTROL
 VR2 VOLUME CONTROL
 VR3, VR4 BASS CONTROL
 VR5, VR6 TREBLE CONTROL

RESISTORS
 IN OHM, 1/4W, ±5% TOLERANCE UNLESS OTHERWISE NOTED. K: kΩ M: MΩ

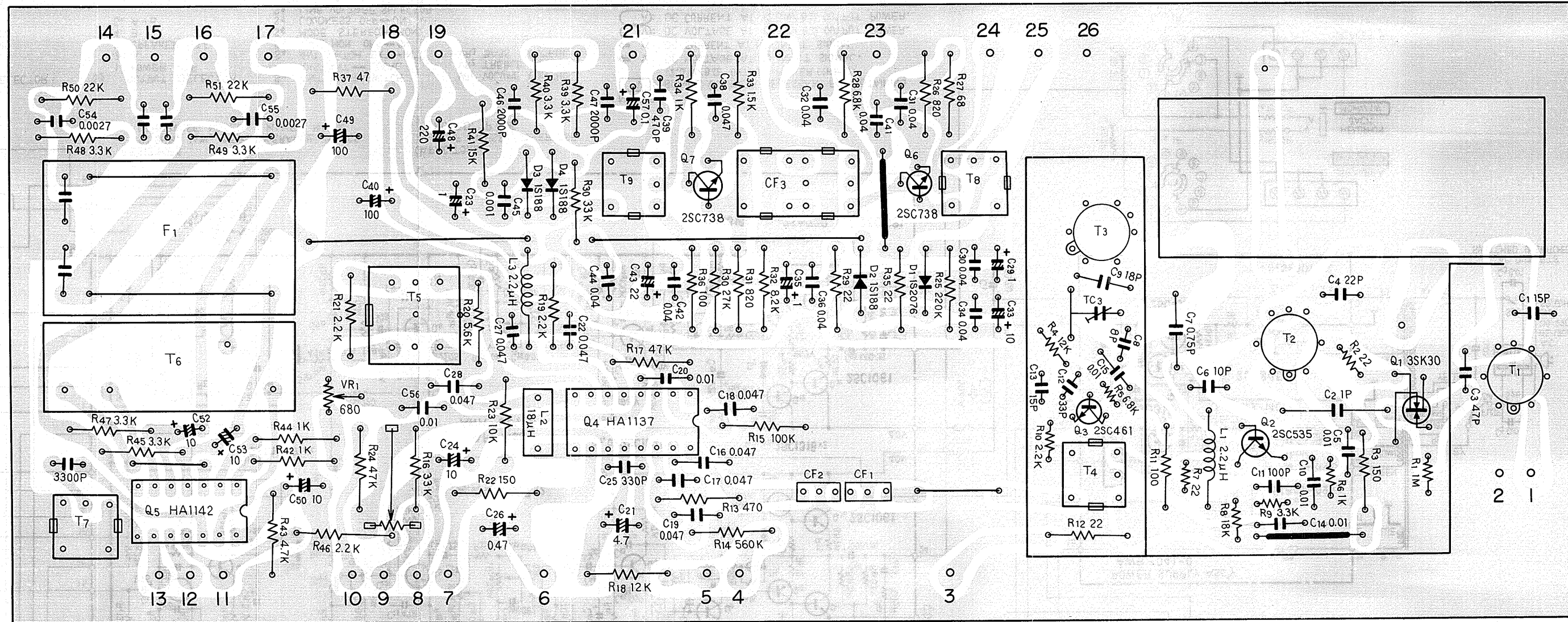
CAPACITORS
 IN μF UNLESS OTHERWISE NOTED. P: pF

NOTES
 V: SIGNAL VOLTAGE NECESSARY FOR OBTAINING 15W/8Ω OUTPUT POWER (1KHz).
 V: VOLTAGE AT NO INPUT SIGNAL.
 A: DC CURRENT AT NO INPUT SIGNAL.
 A: DC CURRENT AT 15W/8Ω OUTPUT POWER.
 (mv): RIPPLE VOLTAGE.

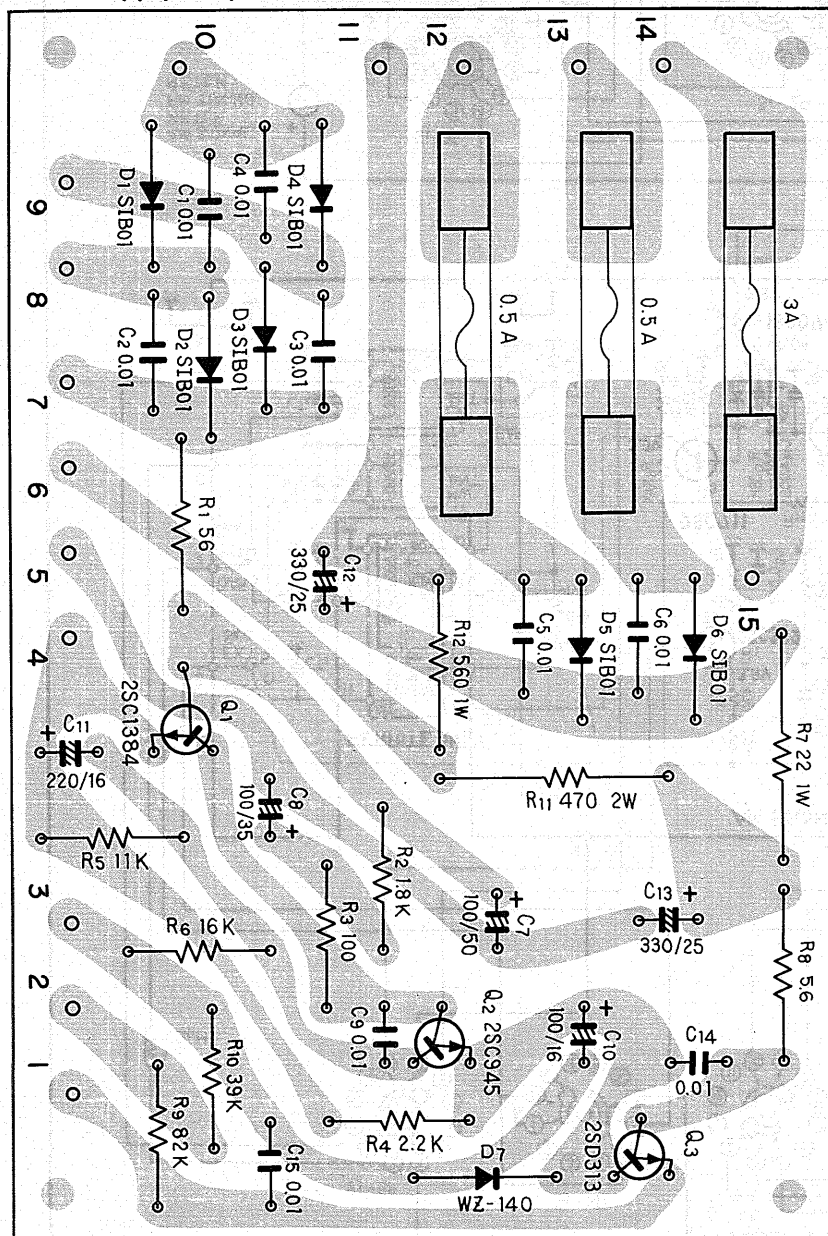
AM front end ass'y AWA-006



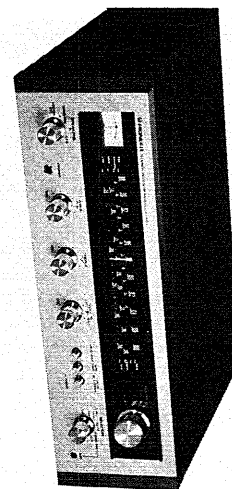
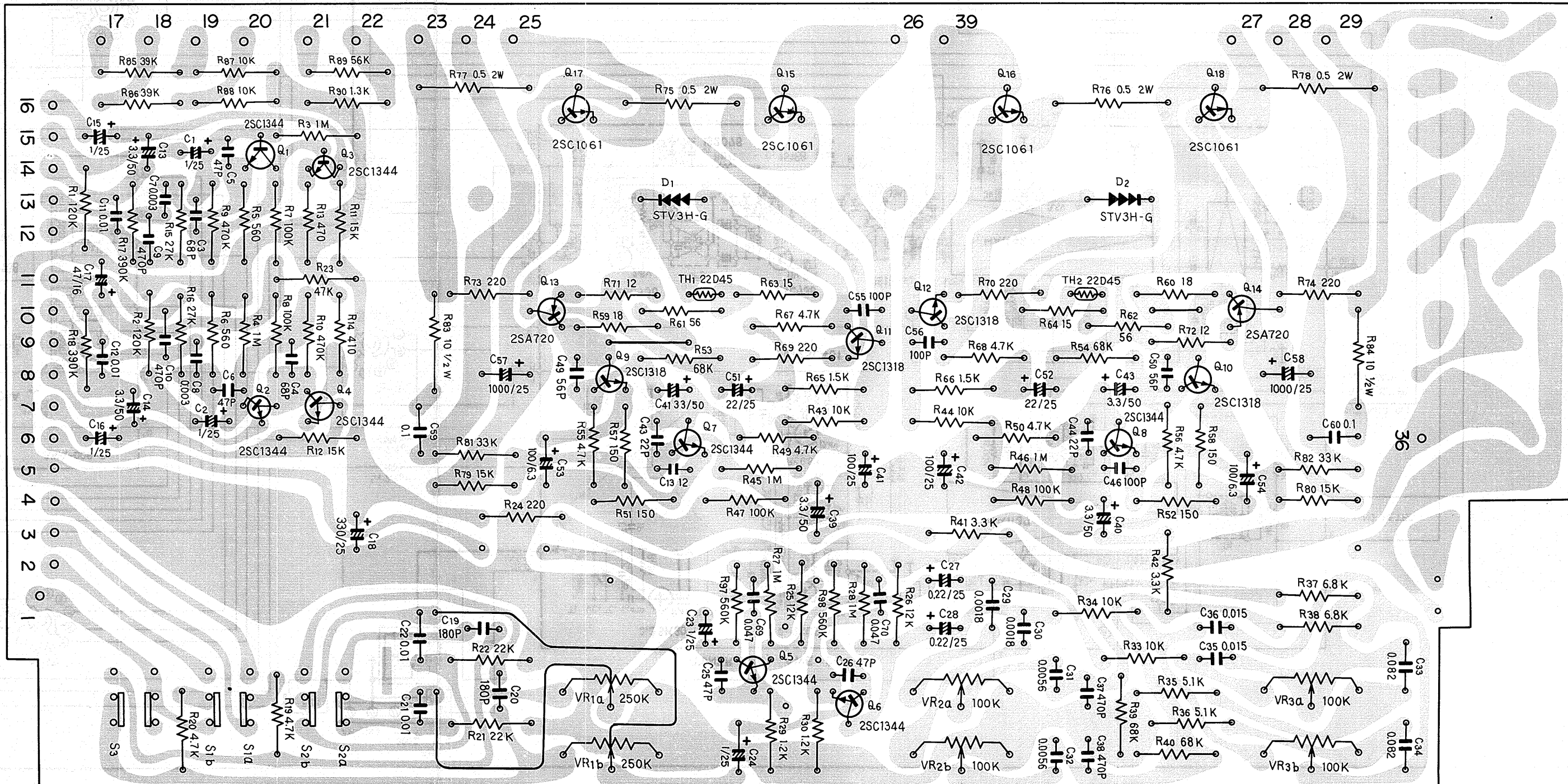
FM tuner ass'y AWE-034



Power supply ass'y AWR-041

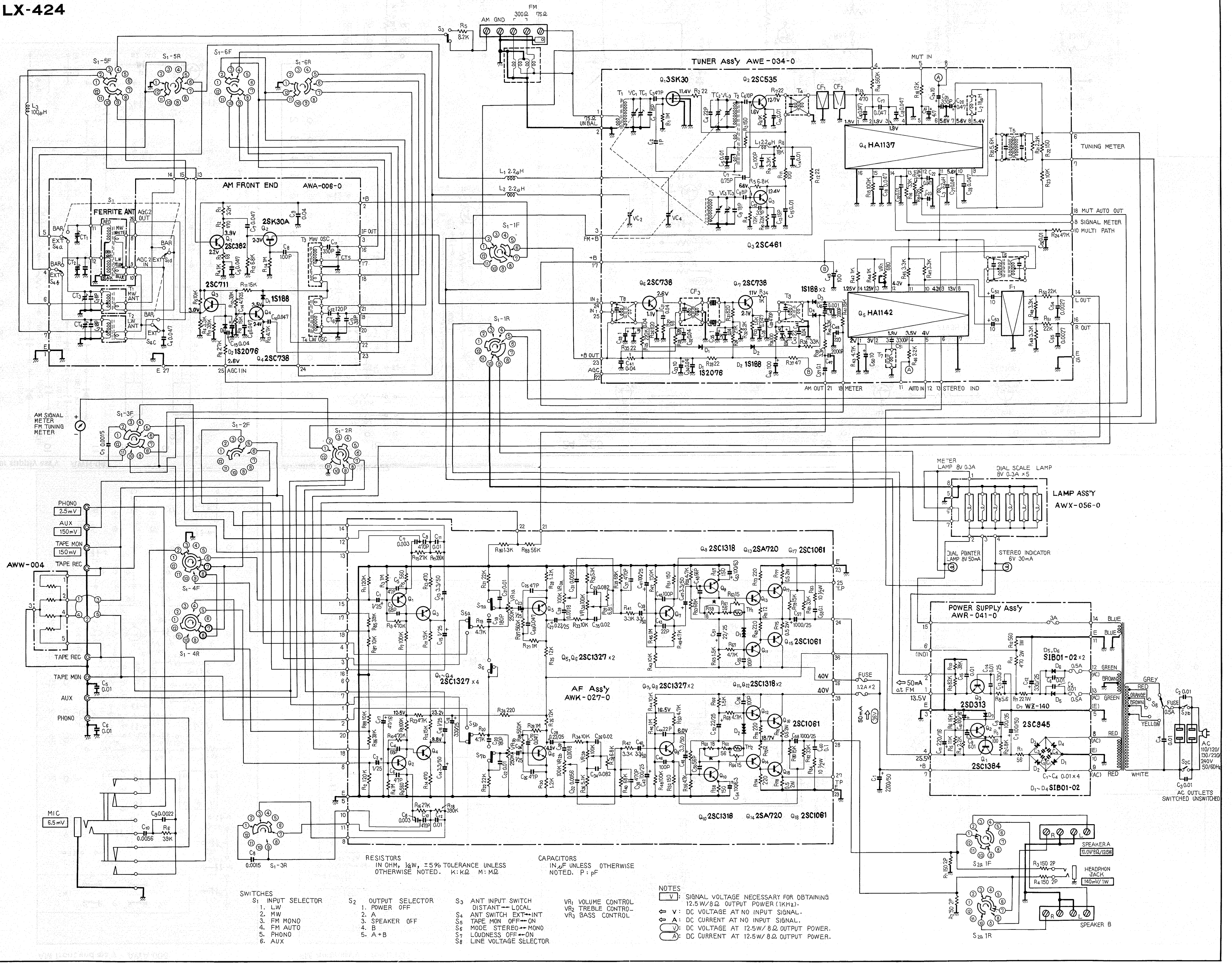


AF amp ass'y AWK-027



LW/MW/FM STEREO RECEIVER
IX-424
 FWW

19



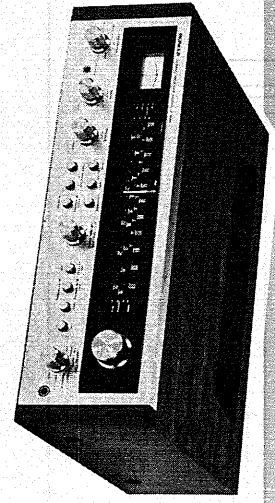
RESISTORS
IN OHM, 1/4W, ±5% TOLERANCE UNLESS
OTHERWISE NOTED. K: KΩ M: MΩ

CAPACITORS
IN μF UNLESS OTHERWISE
NOTED. P: pF

- SWITCHES
- | | | | |
|-------------------|--------------------|--------------------------|--------------------|
| S1 INPUT SELECTOR | S2 OUTPUT SELECTOR | S3 ANT INPUT SWITCH | VR1 VOLUME CONTROL |
| 1. LW | 1. POWER OFF | DISTANT → LOCAL | VR2 TREBLE CONTROL |
| 2. MW | 2. A | S4 ANT SWITCH EXT → INT | VR3 BASS CONTROL |
| 3. FM MONO | 3. SPEAKER OFF | S5 TAPE MON OFF → ON | |
| 4. FM AUTO | 4. B | S6 MODE STEREO → MONO | |
| 5. PHONO | 5. A + B | S7 LOUDNESS OFF → ON | |
| 6. AUX | | S8 LINE VOLTAGE SELECTOR | |

NOTES

- (V): SIGNAL VOLTAGE NECESSARY FOR OBTAINING 12.5W/8Ω OUTPUT POWER (1kHz).
- ∇: DC VOLTAGE AT NO INPUT SIGNAL.
- ∇: DC CURRENT AT NO INPUT SIGNAL.
- (V): DC VOLTAGE AT 12.5W/8Ω OUTPUT POWER.
- (A): DC CURRENT AT 12.5W/8Ω OUTPUT POWER.

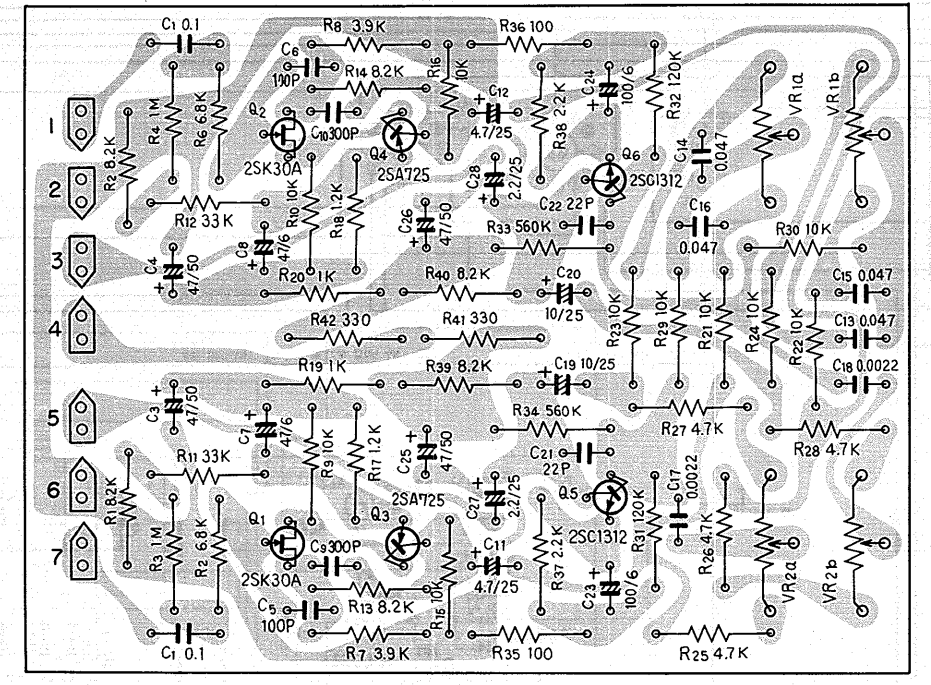


LX-626

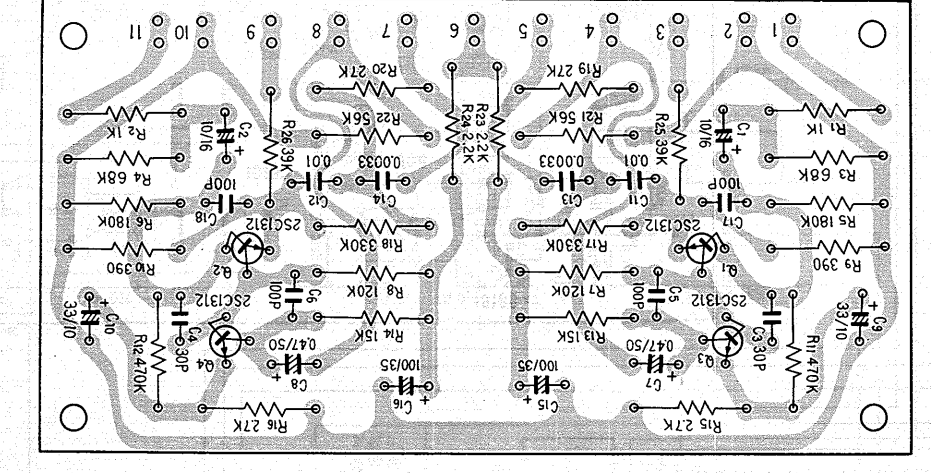
LW/MW/FM STEREO RECEIVER
FM

20

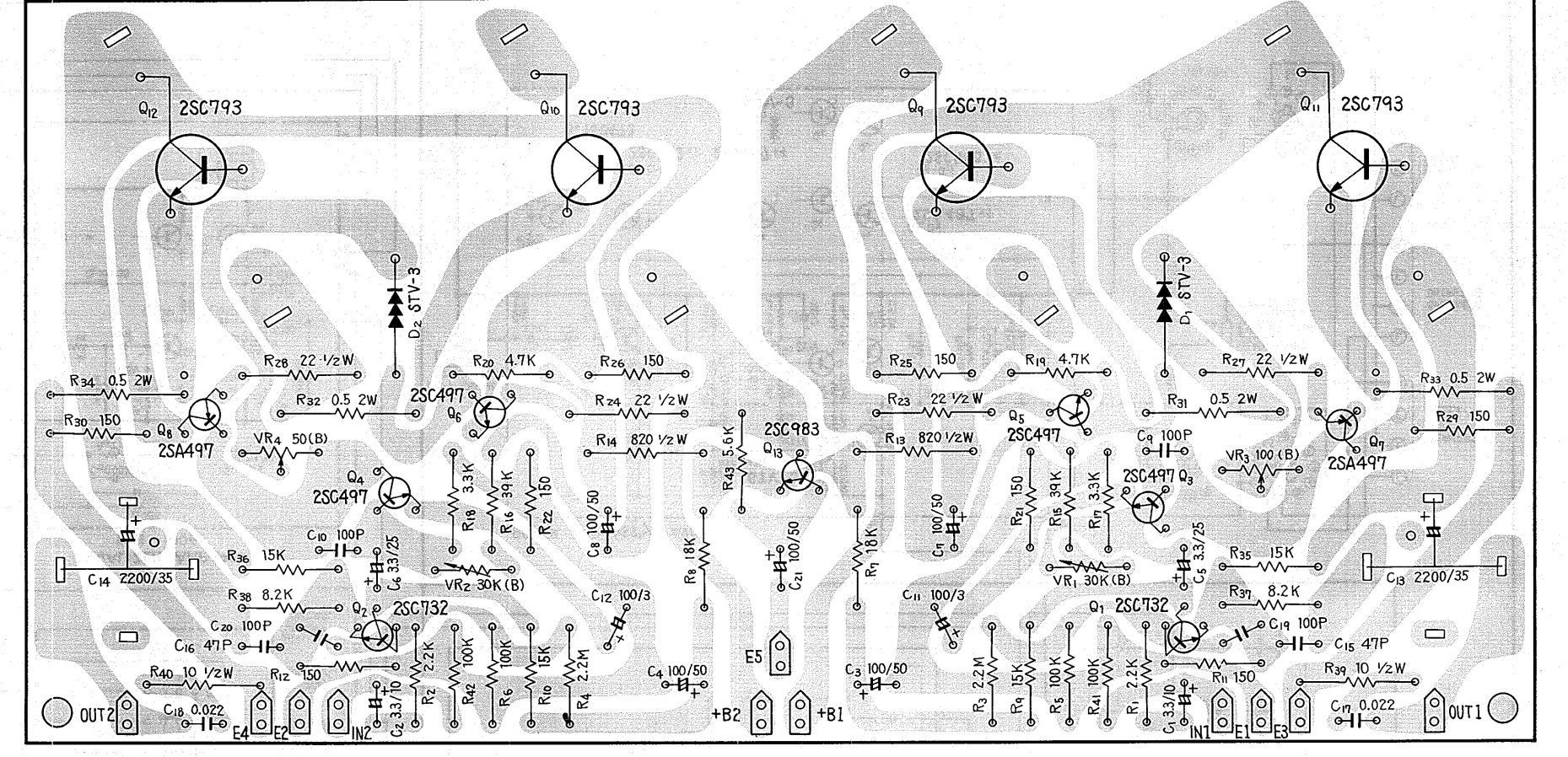
Control amp ass'y AWG-008



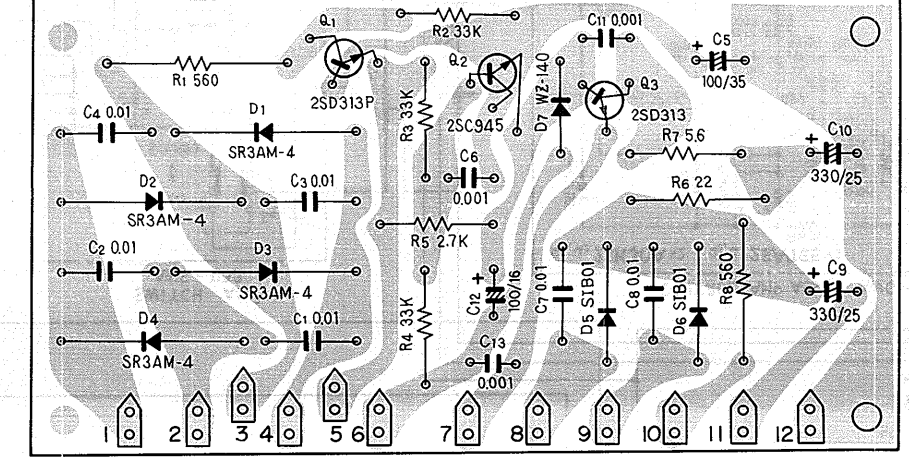
Equalizer amp ass'y W21-004



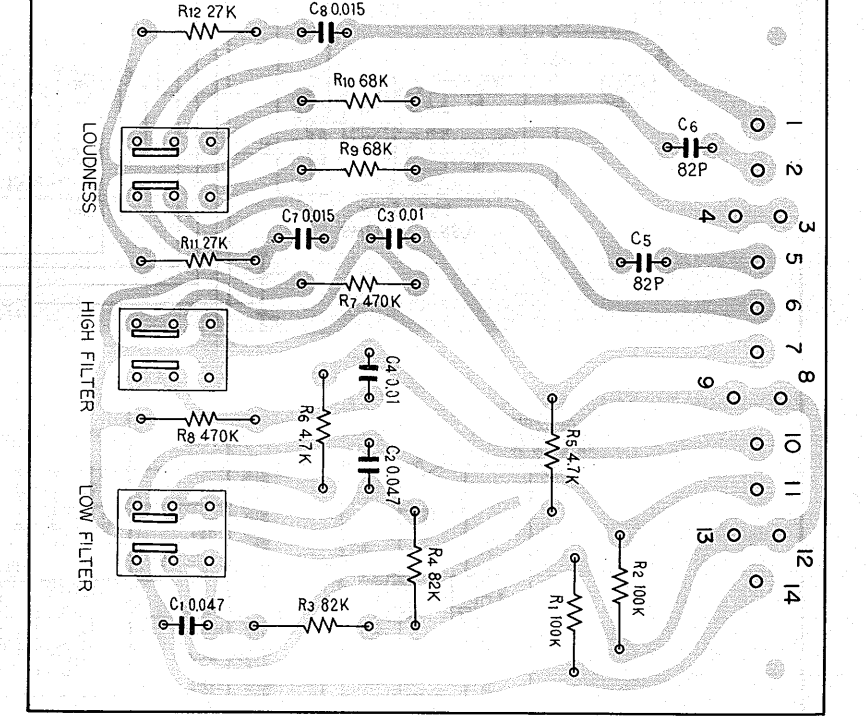
Power amp ass'y AWH-002



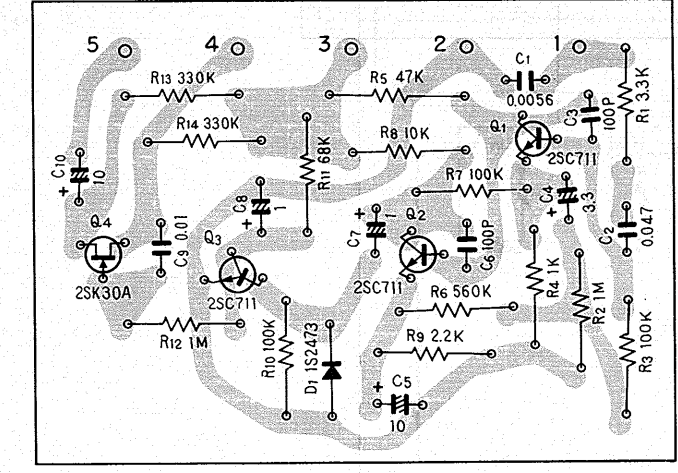
Power supply ass'y AWR-029



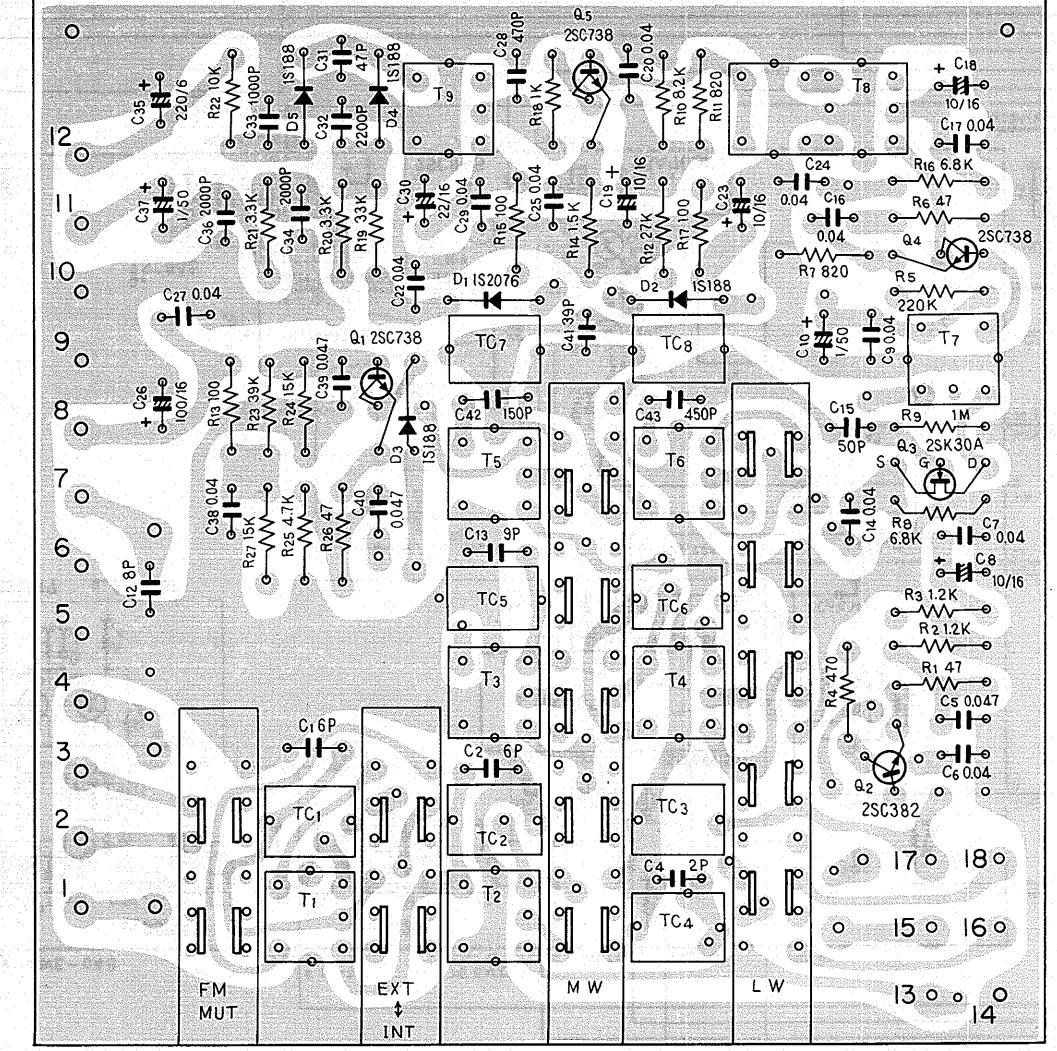
Switch circuit ass'y AWS-034



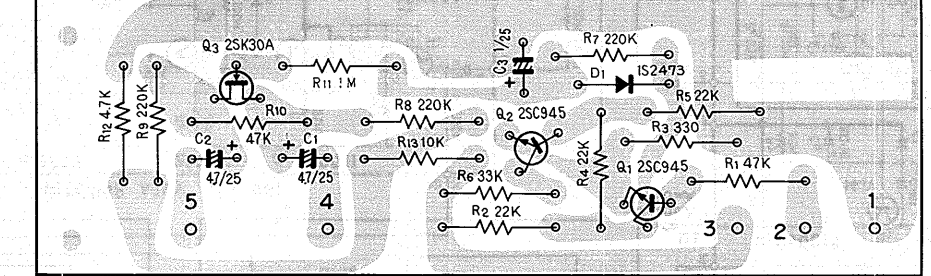
Switching circuit ass'y AWX-031



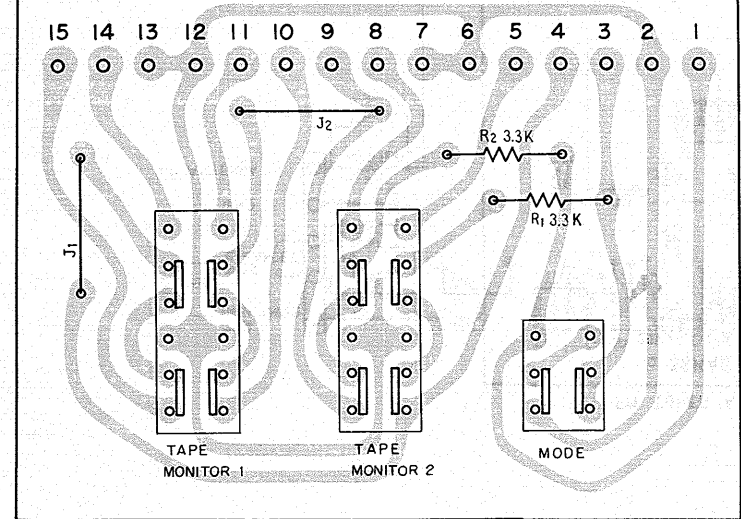
LW, MW tuner ass'y AWA-005



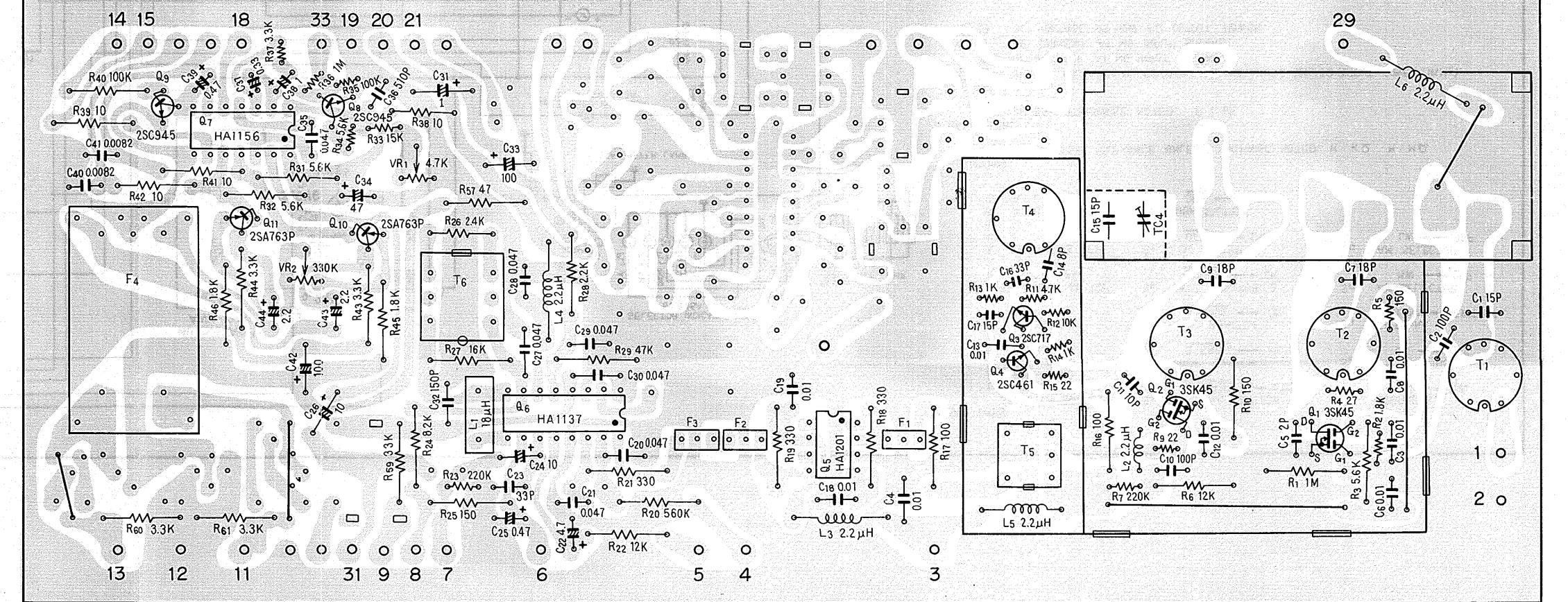
Muting circuit ass'y AWM-040



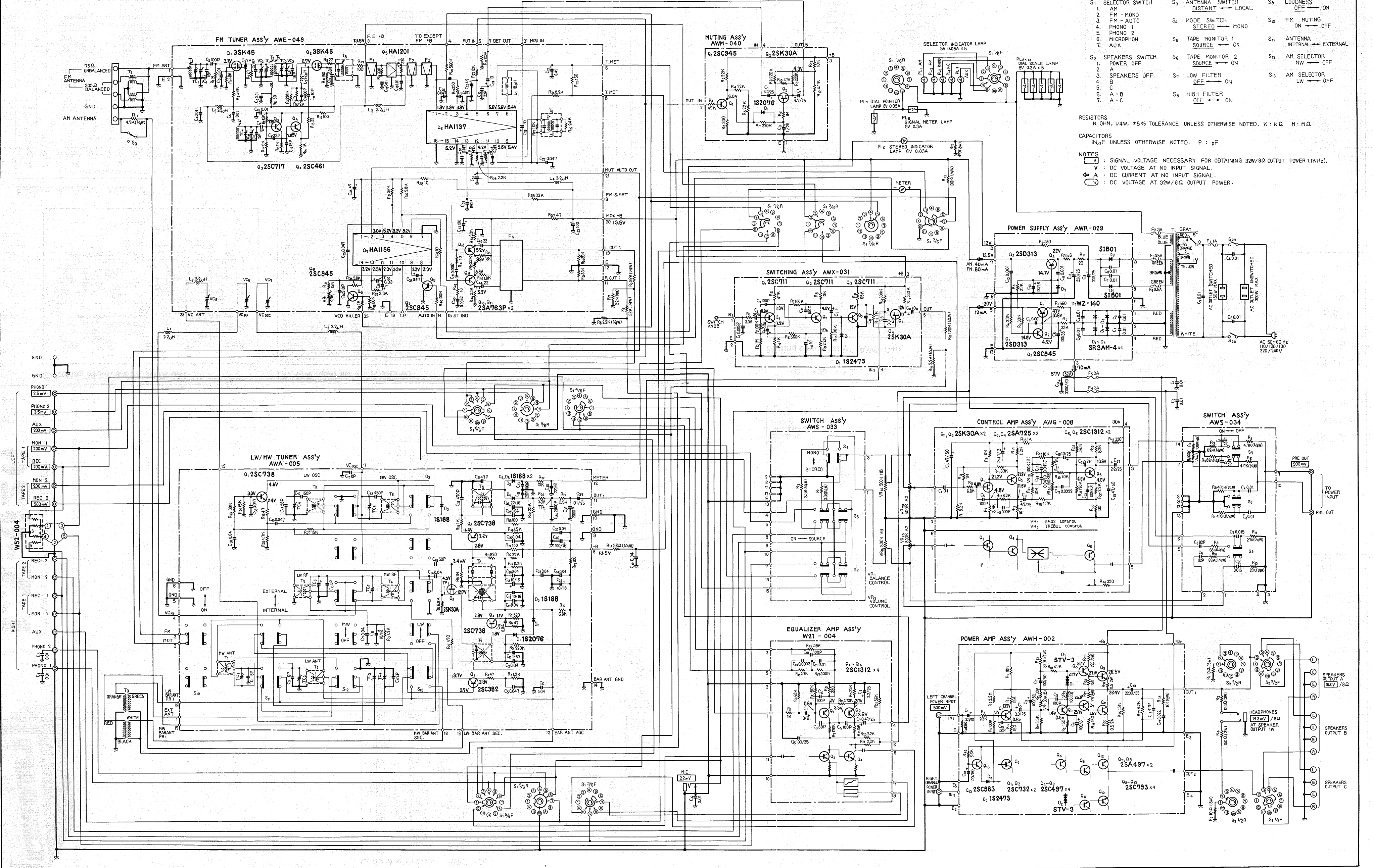
Switch circuit ass'y AWS-033



FM tuner ass'y AWE-049



LX-626

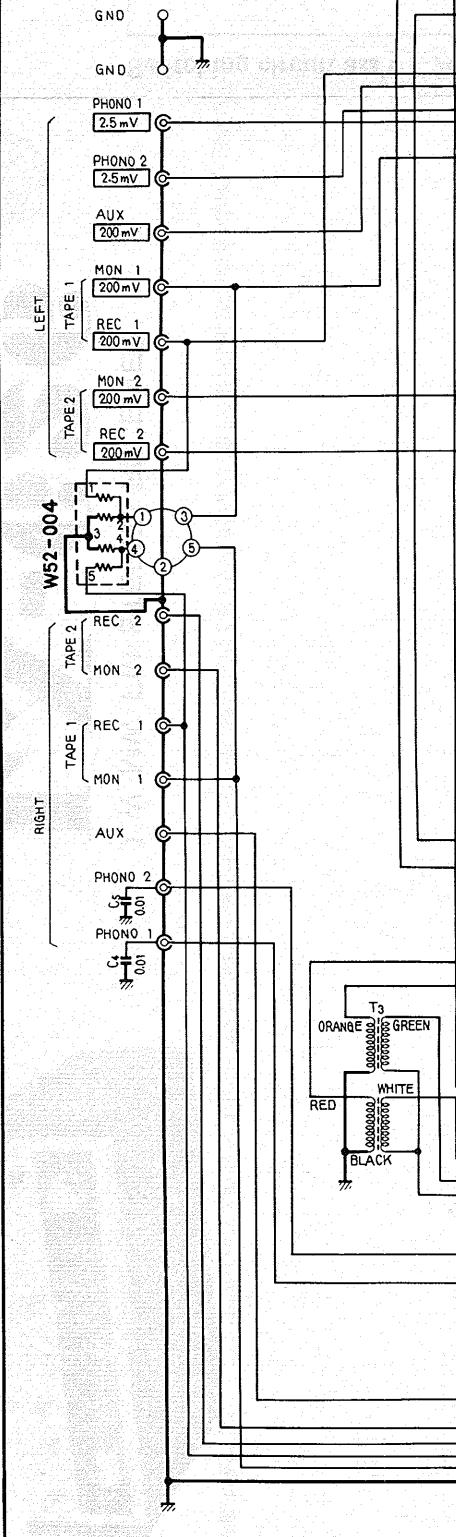


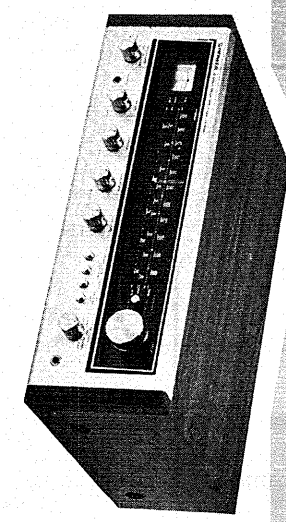
- SWITCHES**
- | | | |
|--------------------|-------------------|-------------------|
| S1 SELECTOR SWITCH | S3 ANTENNA SWITCH | S9 LOUDNESS |
| 1. AM | DISTANT LOCAL | OFF ON |
| 2. FM - MONO | | |
| 3. FM - AUTO | S4 MODE SWITCH | S10 FM MUTING |
| 4. PHONO 1 | STEREO MONO | ON OFF |
| 5. PHONO 2 | | |
| 6. MICROPHON | S5 TAPE MONITOR 1 | S11 ANTENNA |
| AUX | SOURCE ON | INTERNAL EXTERNAL |
| | S6 TAPE MONITOR 2 | S12 AM SELECTOR |
| | SOURCE ON | MW OFF |
| | S7 LOW FILTER | S13 AM SELECTOR |
| | OFF ON | LW OFF |
| | S8 HIGH FILTER | |
| | OFF ON | |

RESISTORS
IN OHM, 1/4W, ±5% TOLERANCE UNLESS OTHERWISE NOTED. K: KΩ M: MΩ

CAPACITORS
IN μF UNLESS OTHERWISE NOTED. P: pF

- NOTES**
- V: SIGNAL VOLTAGE NECESSARY FOR OBTAINING 32W/8Ω OUTPUT POWER (1KHz).
 - V: DC VOLTAGE AT NO INPUT SIGNAL.
 - A: DC CURRENT AT NO INPUT SIGNAL.
 - ⊙: DC VOLTAGE AT 32W/8Ω OUTPUT POWER.



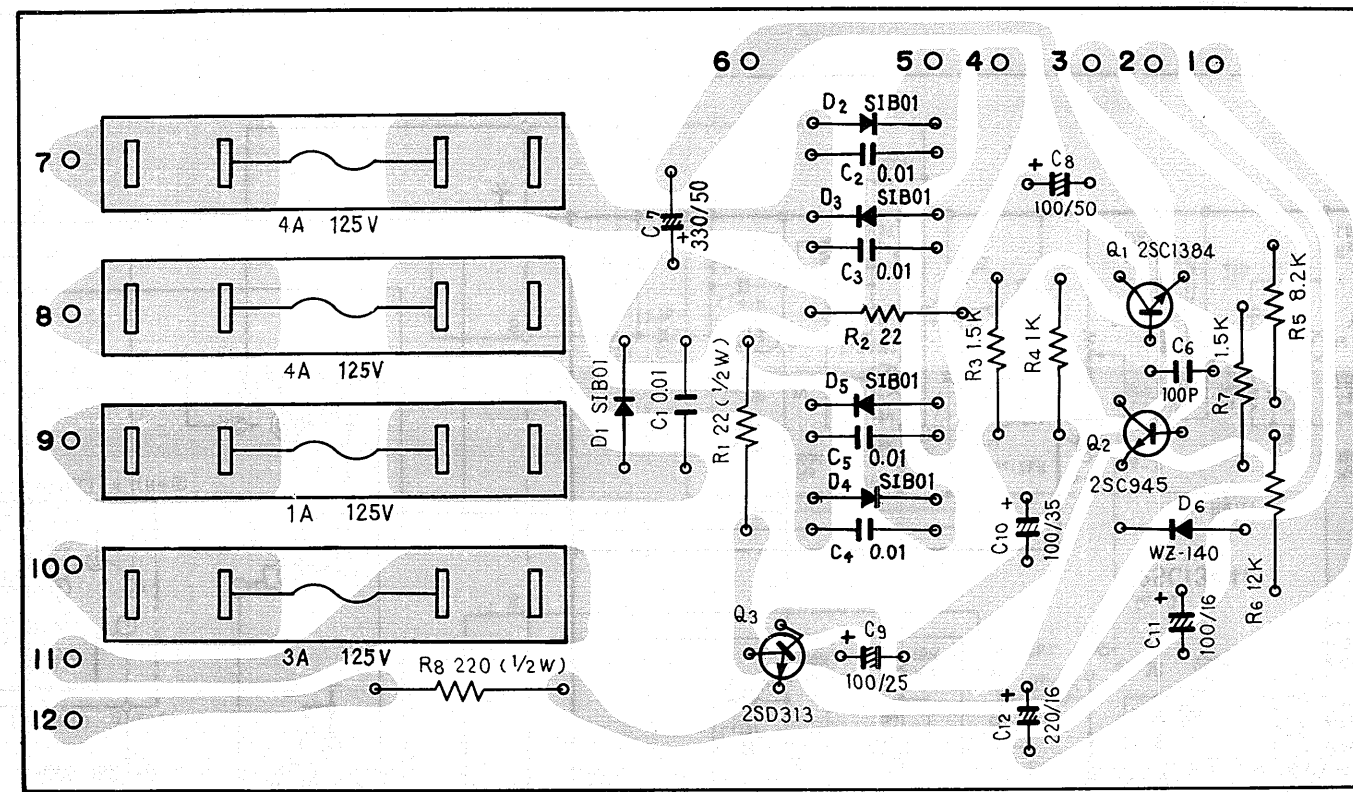


LX-434

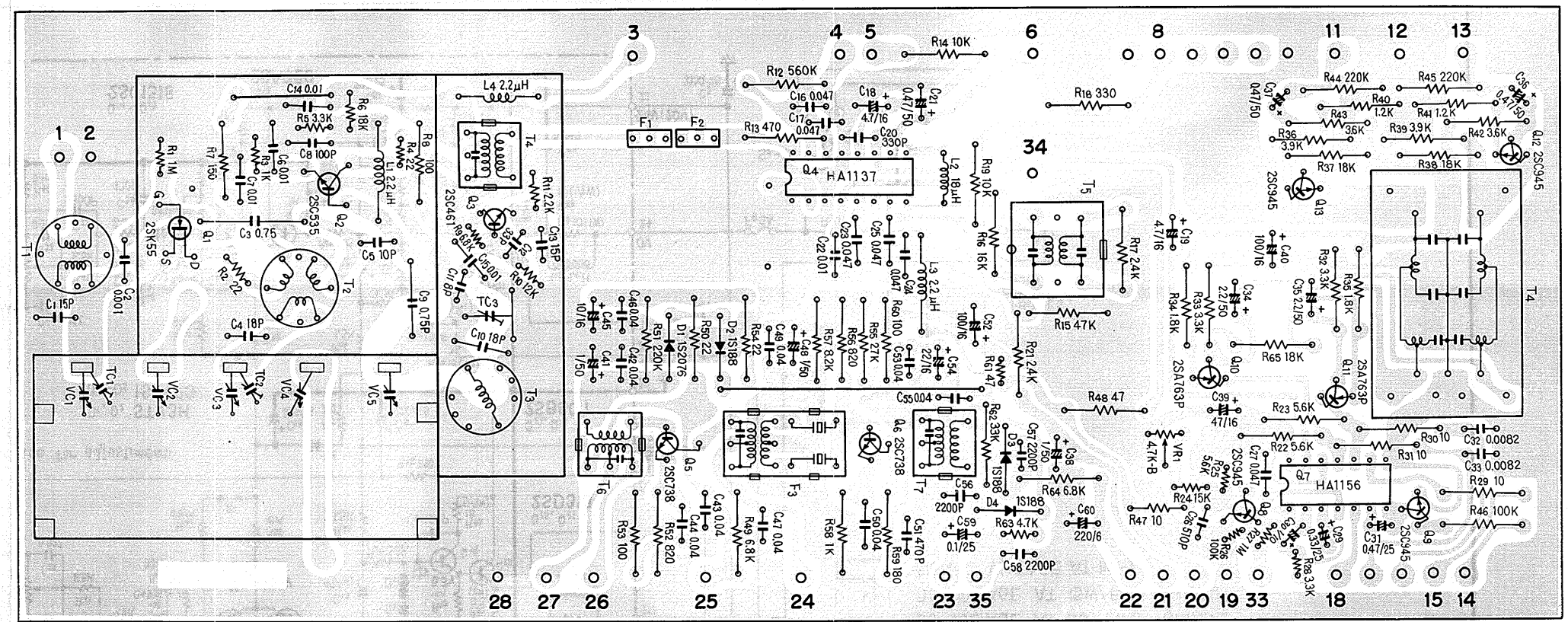
LW/MW/FM STEREO RECEIVER

21

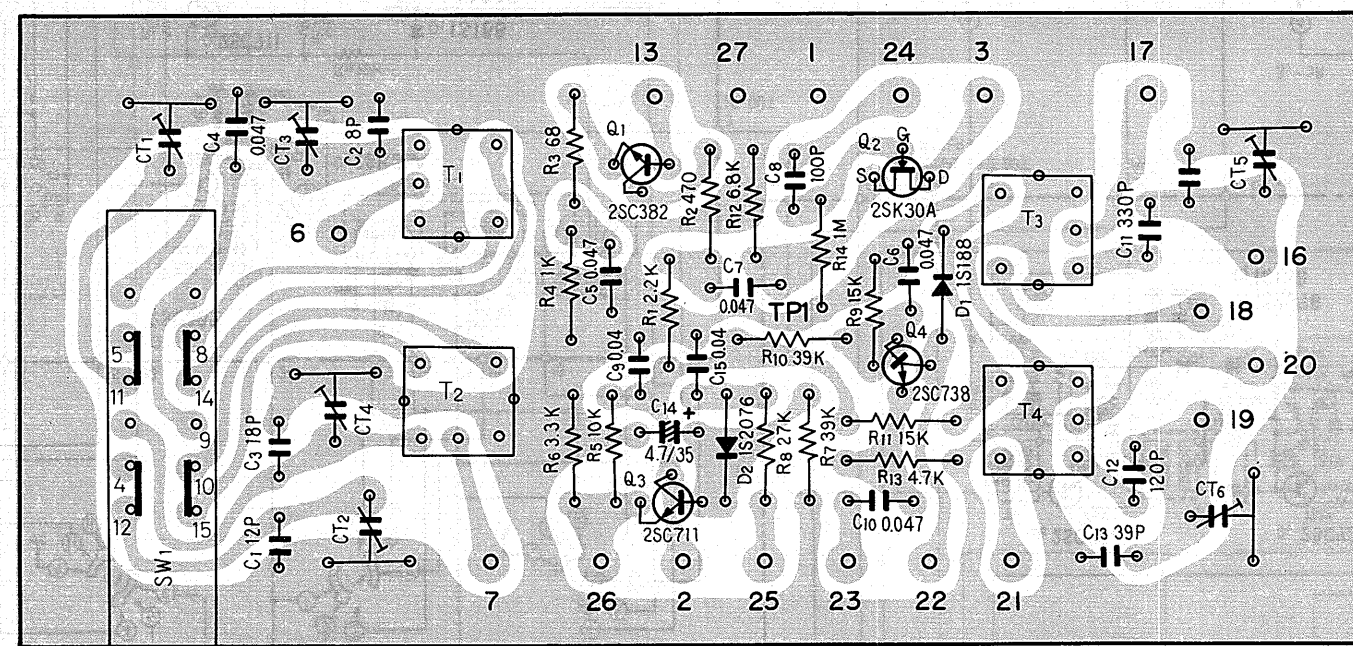
Power supply ass'y AWR-062



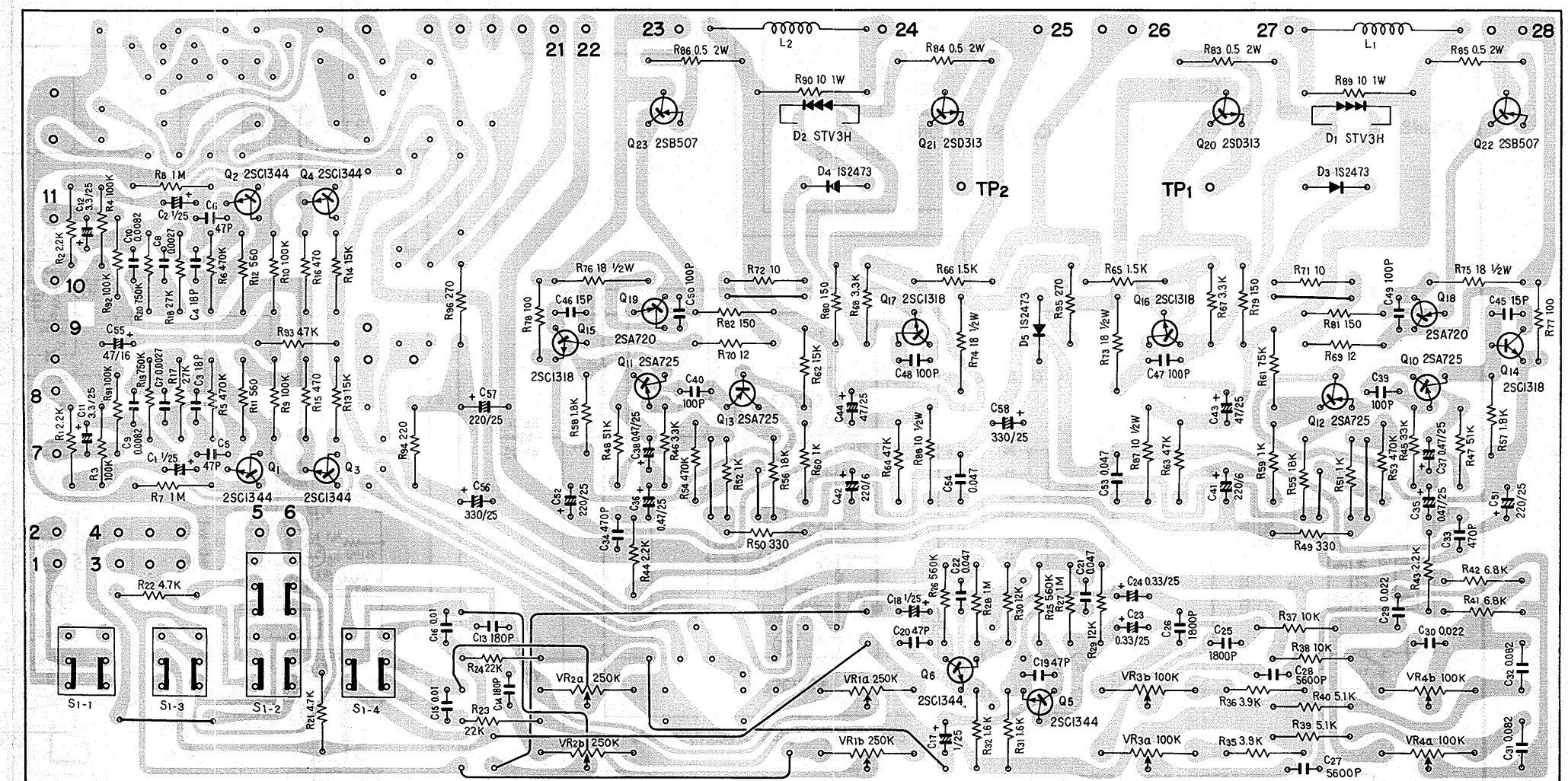
Tuner ass'y AWE-050

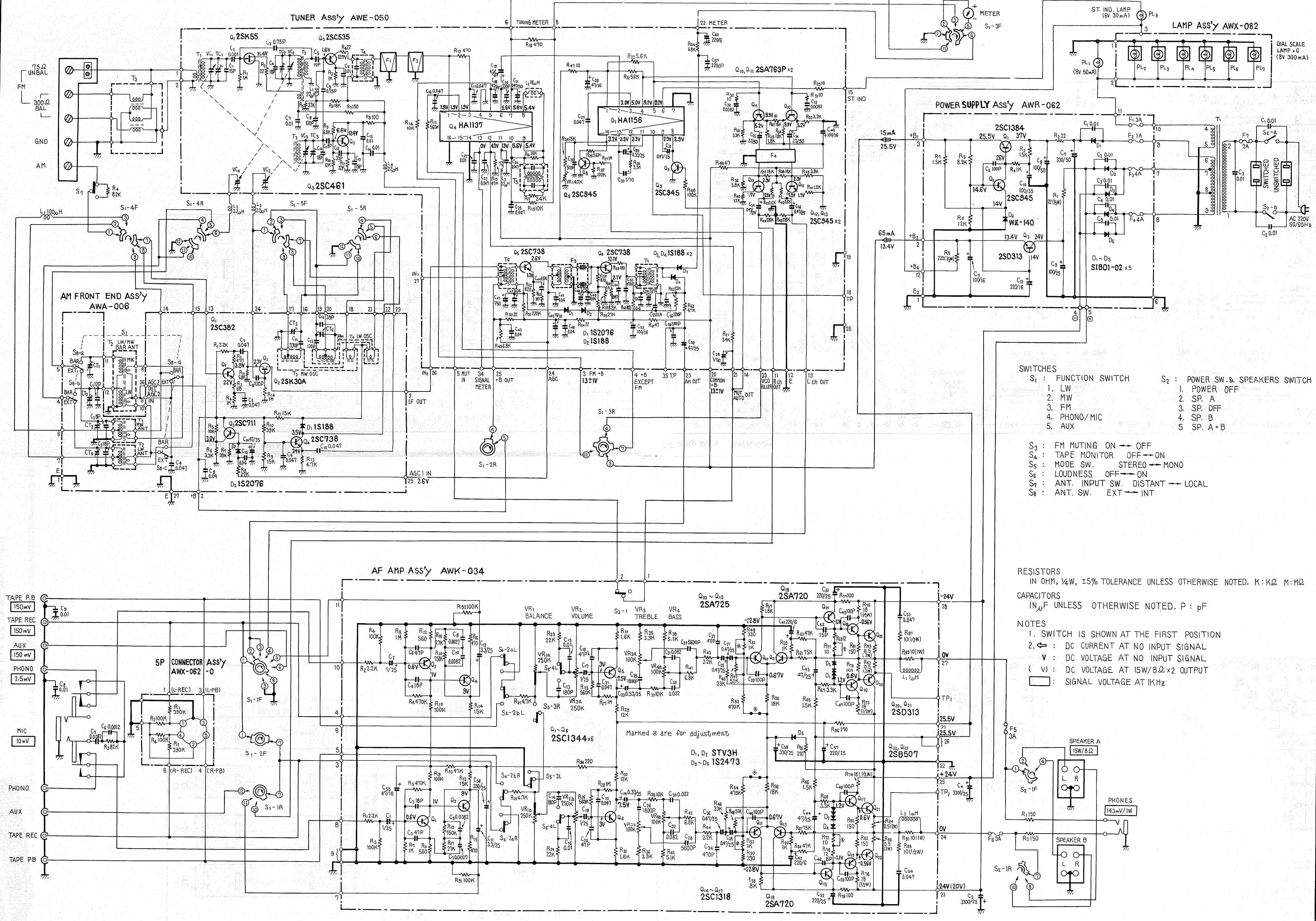


AM front end ass'y AWA-006



AF amp ass'y AWK-034





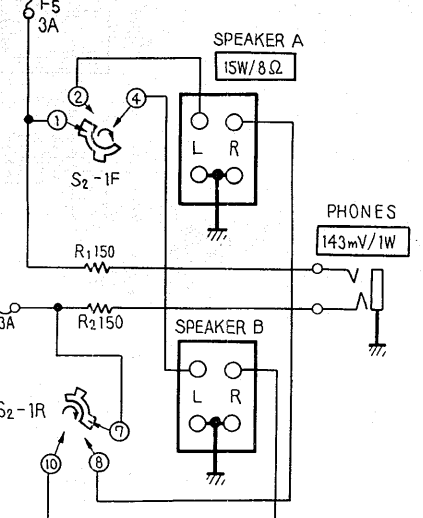
- SWITCHES**
- | | |
|----------------------------------|--|
| S ₁ : FUNCTION SWITCH | S ₂ : POWER SW. & SPEAKERS SWITCH |
| 1. LW | 1. POWER OFF |
| 2. MW | 2. SP. A |
| 3. FM | 3. SP. OFF |
| 4. PHONO/MIC | 4. SP. B |
| 5. AUX | 5. SP. A + B |
- S₃ : FM MUTING ON → OFF
 S₄ : TAPE MONITOR OFF → ON
 S₅ : MODE SW. STEREO → MONO
 S₆ : LOUDNESS OFF → ON
 S₇ : ANT. INPUT SW. DISTANT → LOCAL
 S₈ : ANT. SW. EXT → INT

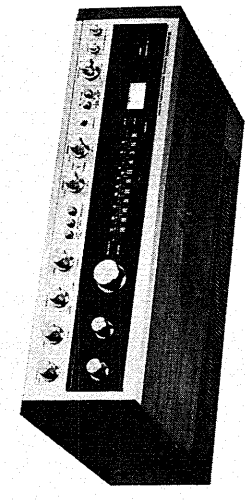
RESISTORS
 IN OHM, 1/4W, ±5% TOLERANCE UNLESS OTHERWISE NOTED. K:KΩ M:MΩ

CAPACITORS
 IN μF UNLESS OTHERWISE NOTED. P: pF

NOTES

- SWITCH IS SHOWN AT THE FIRST POSITION
- DC CURRENT AT NO INPUT SIGNAL
- V : DC VOLTAGE AT NO INPUT SIGNAL
- (V) : DC VOLTAGE AT 15W/8Ω x2 OUTPUT
- : SIGNAL VOLTAGE AT 1KHz





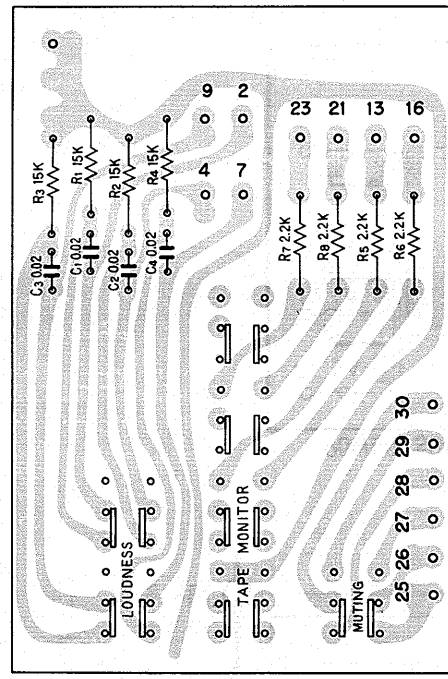
QUAD-RAPHONIC RECEIVER

FX-646

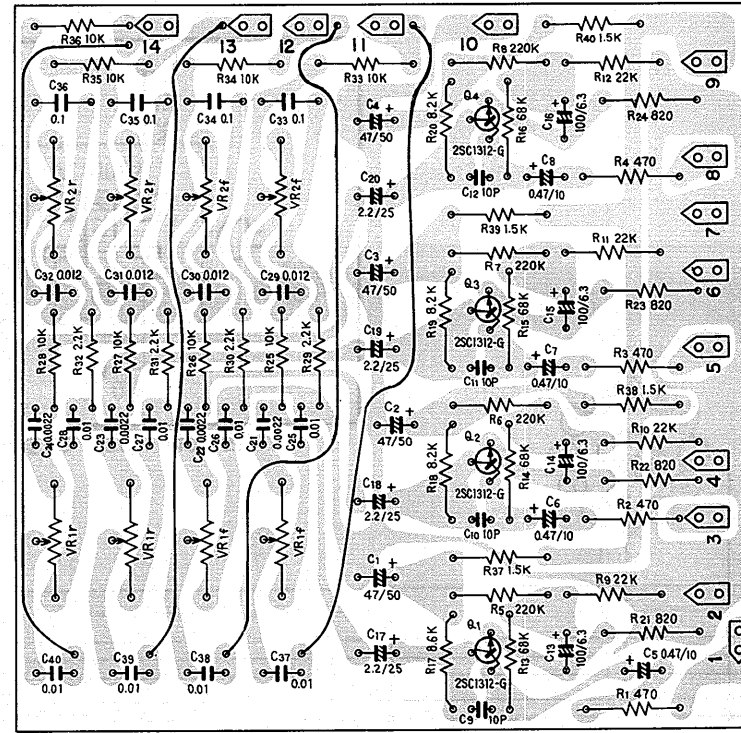
FW KCV KUV

22

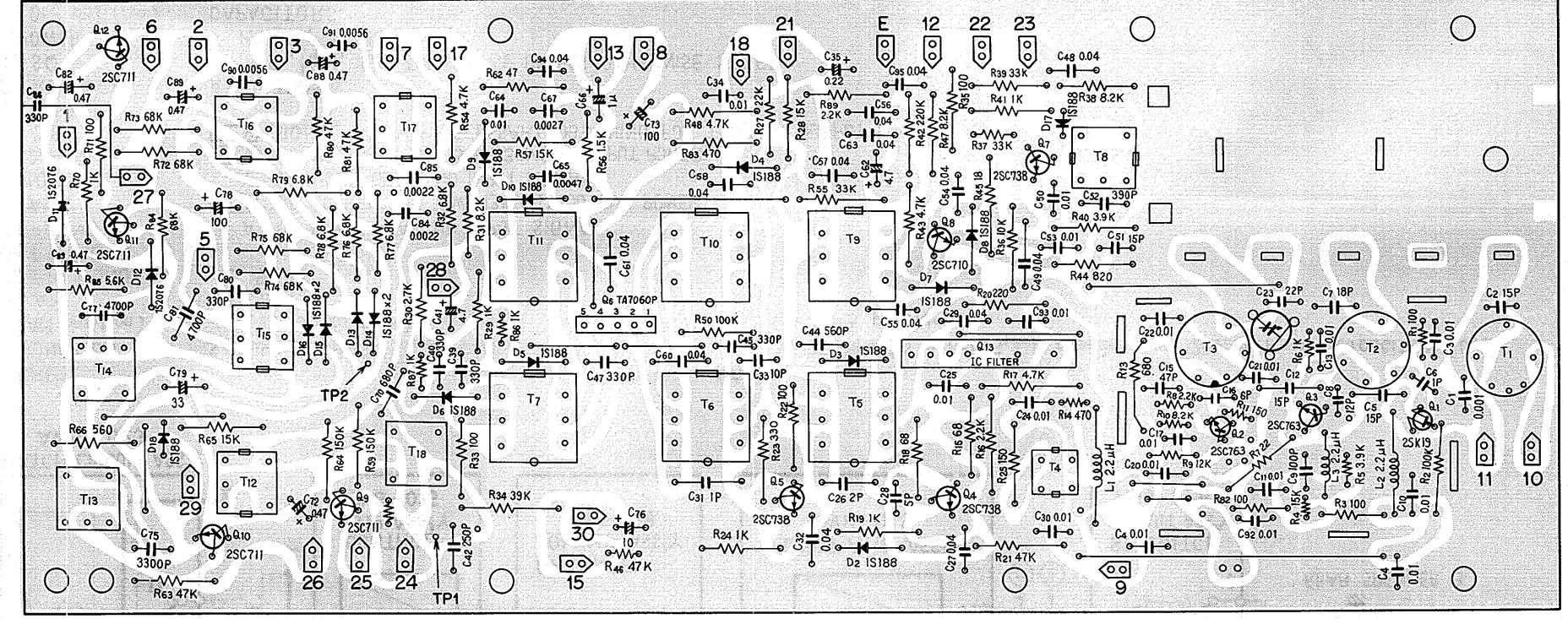
Switch circuit ass'y AWS-023



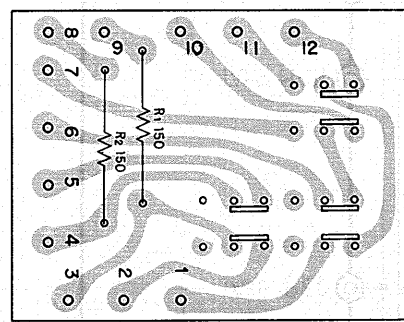
Control amp ass'y AWG-015



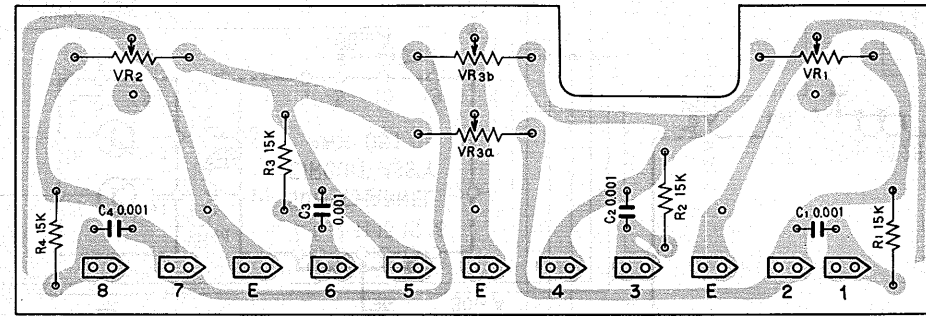
Tuner ass'y AWE-003



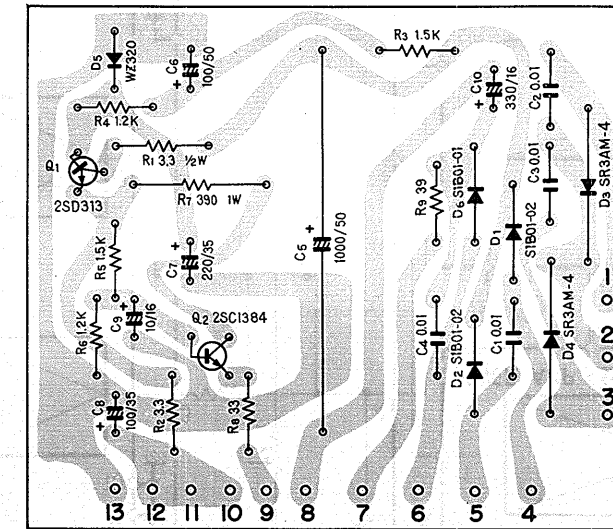
SP switch circuit ass'y AWS-024



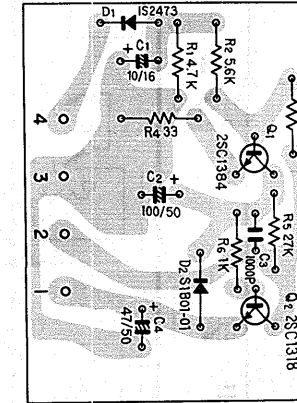
Balance volume ass'y AWX-028



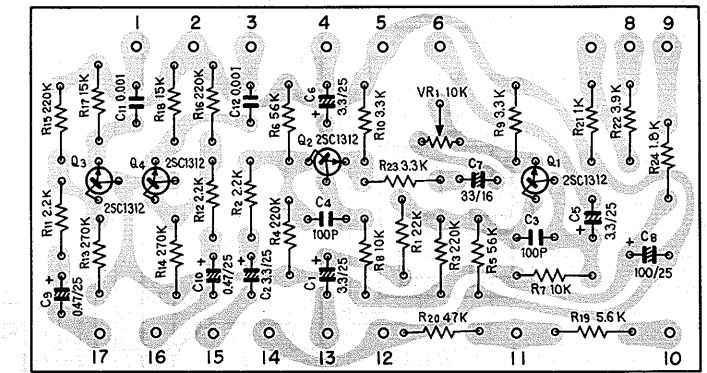
Power supply circuit ass'y AWR-035



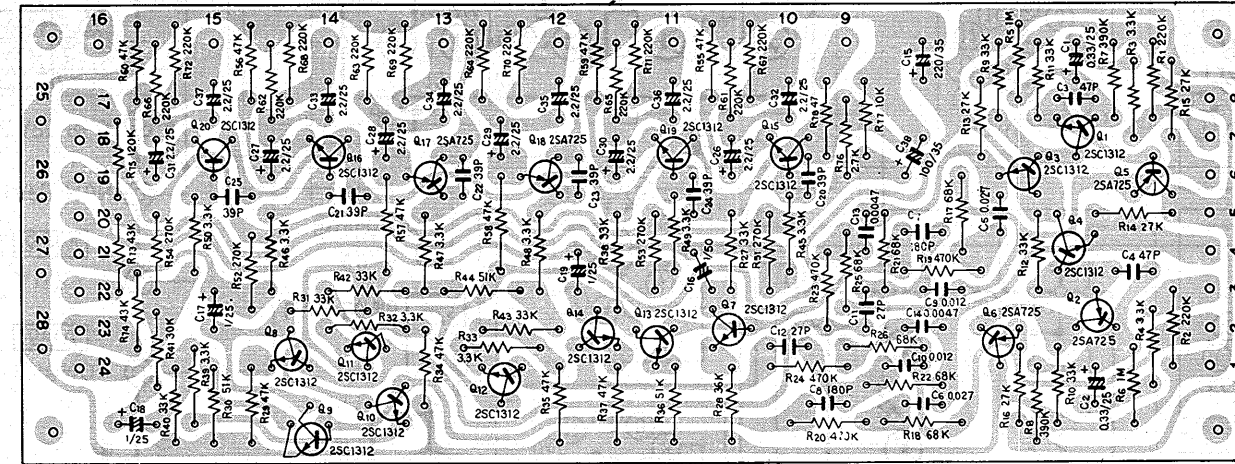
Muting ass'y AWM-046



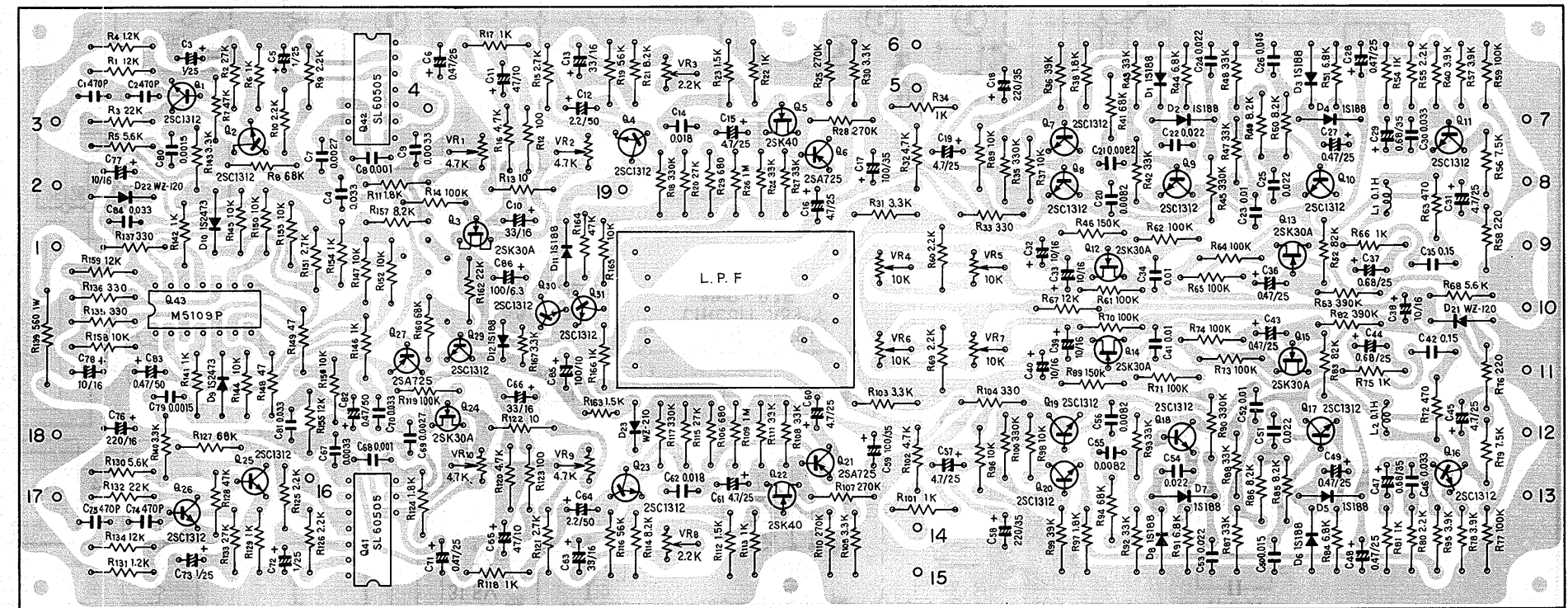
AF amp ass'y AWK-025



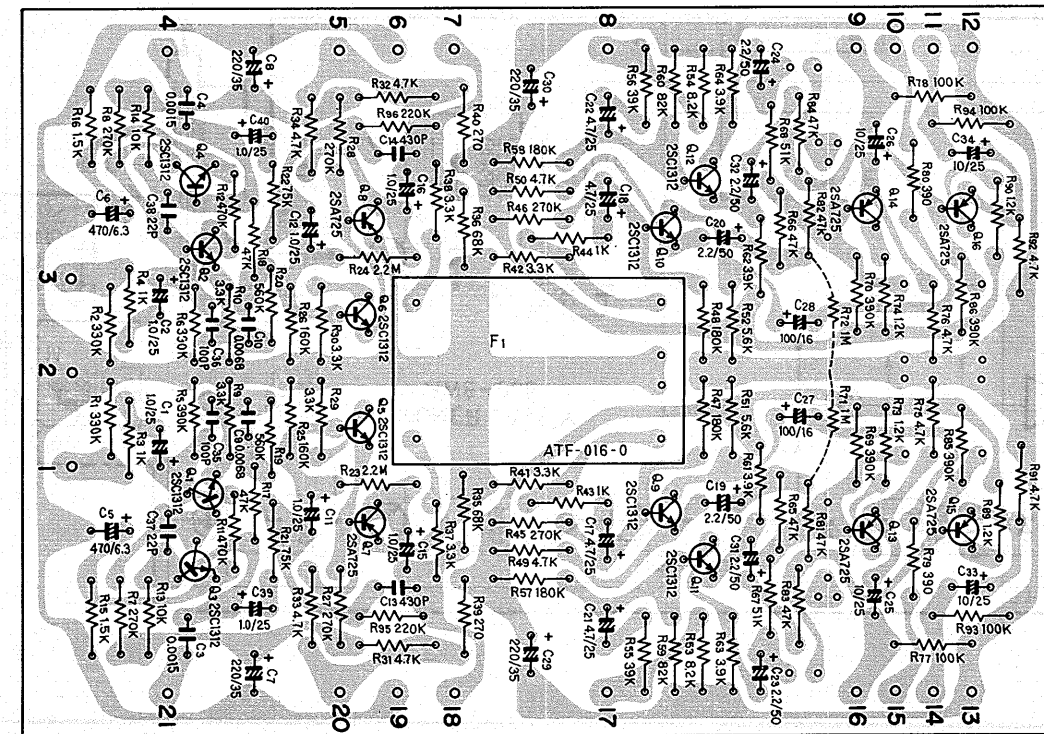
Decoder ass'y AWM-031



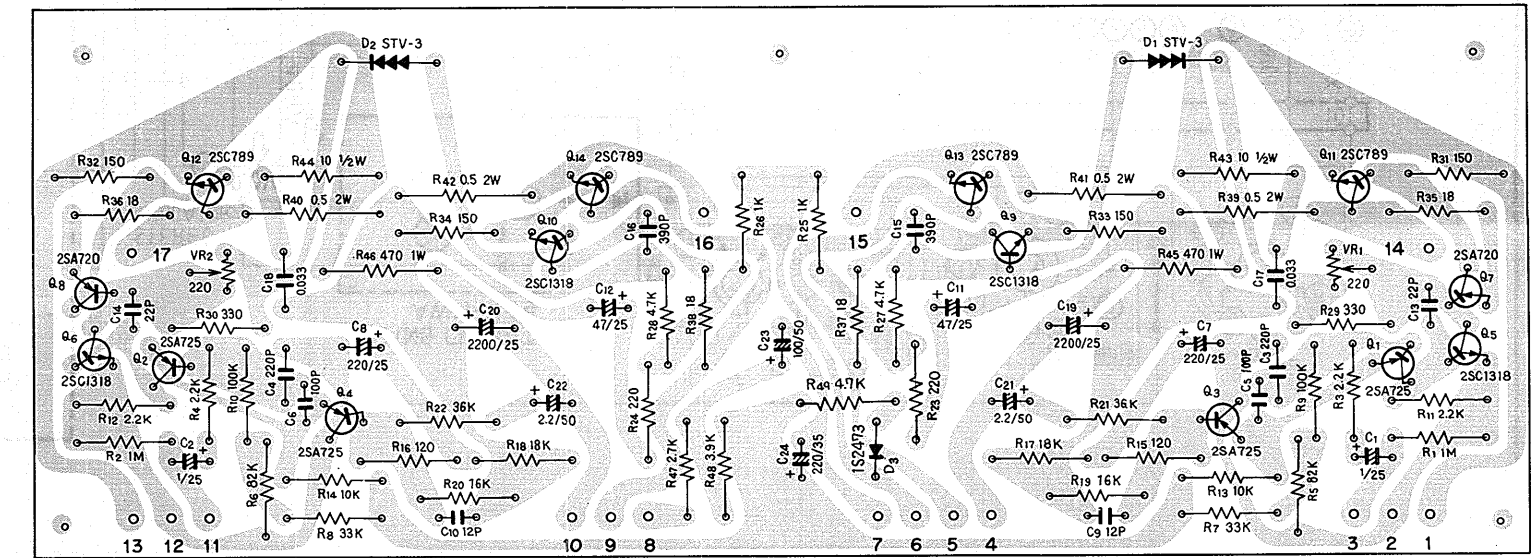
Sub channel circuit ass'y AWX-051

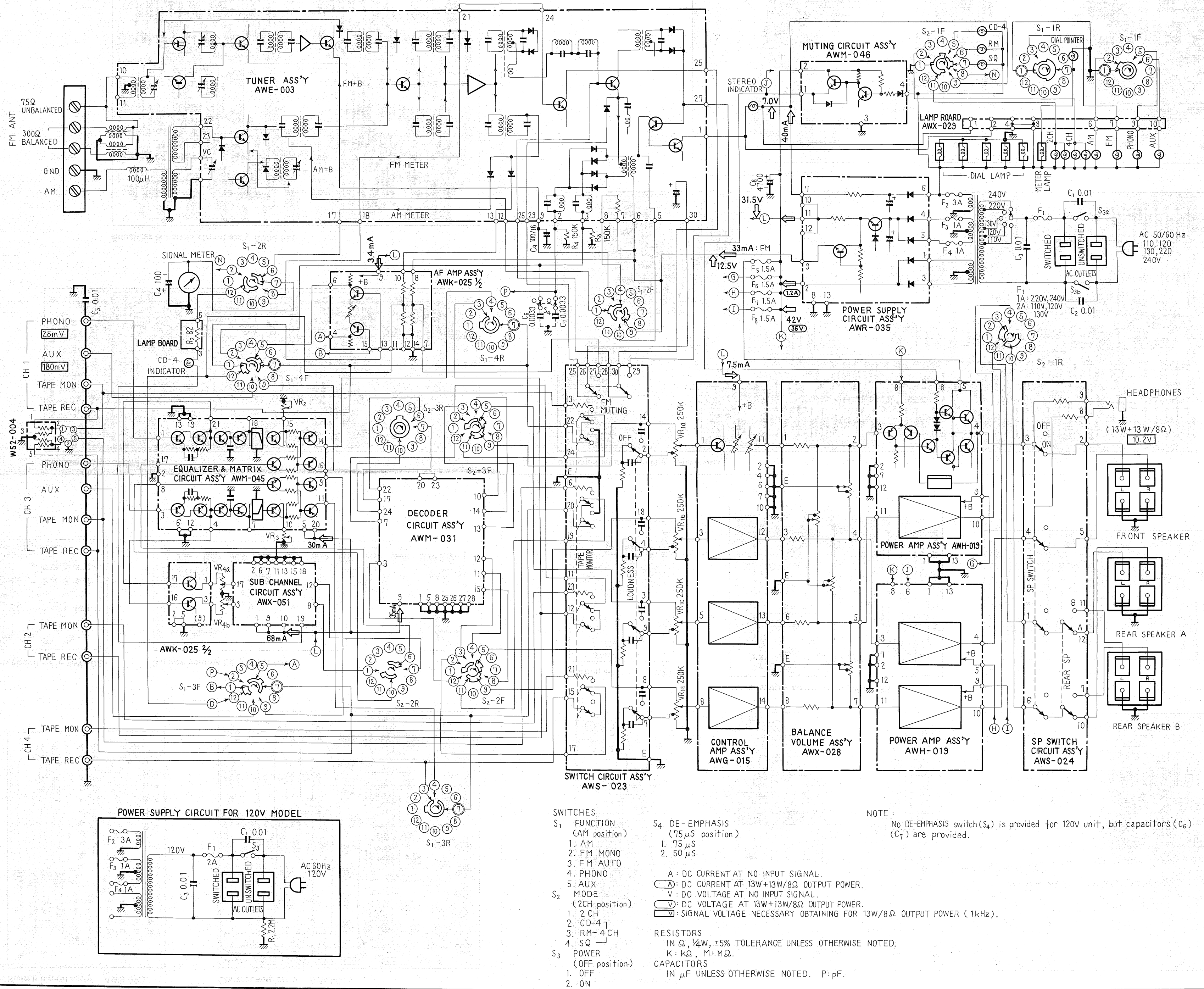


Equalizer & matrix circuit ass'y AWM-045



Power amp ass'y AWH-019



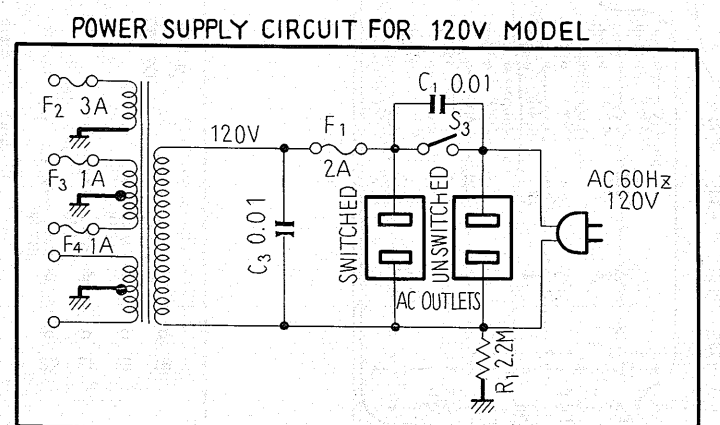


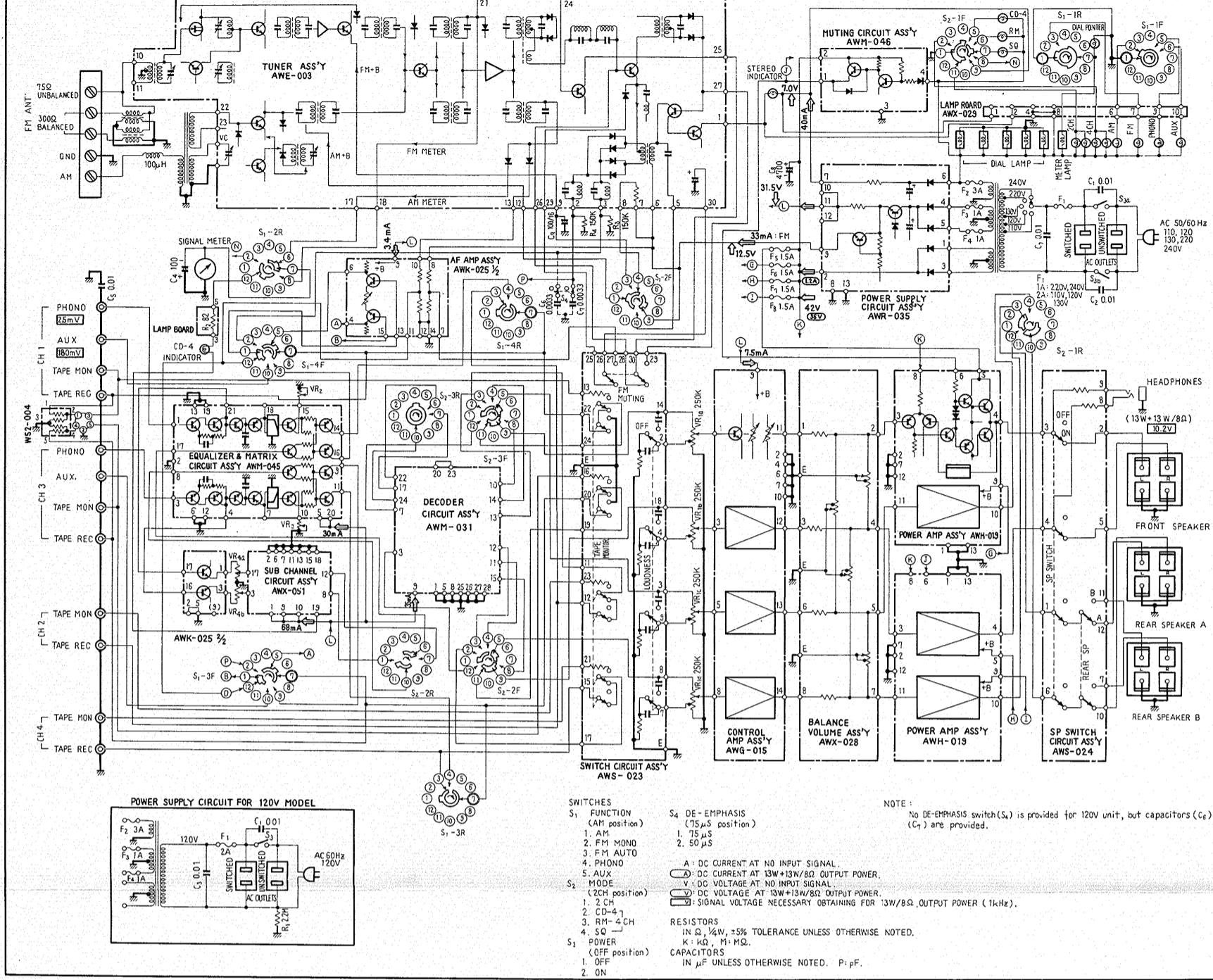
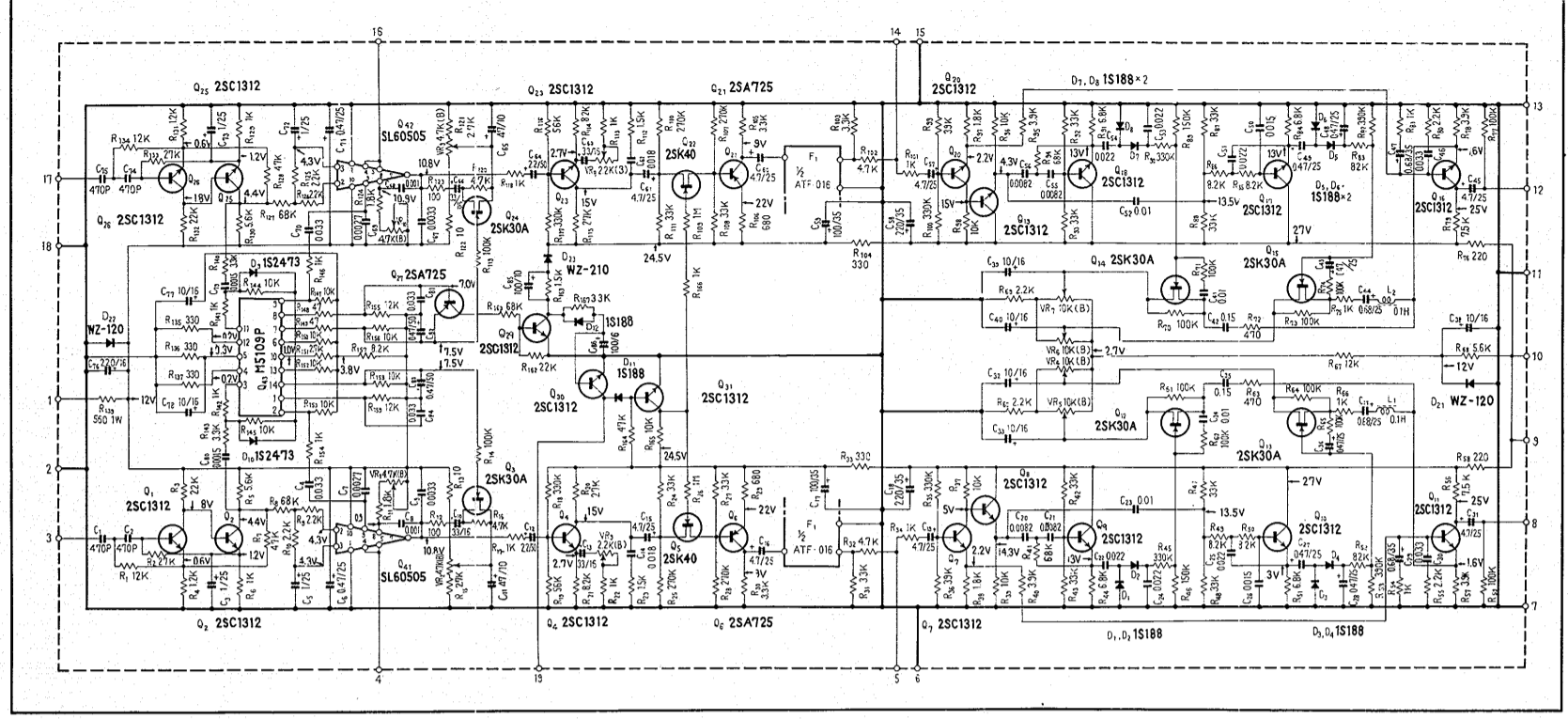
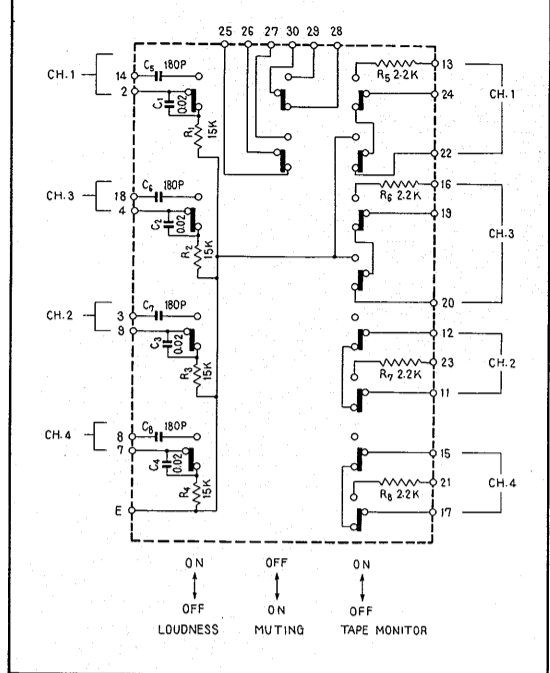
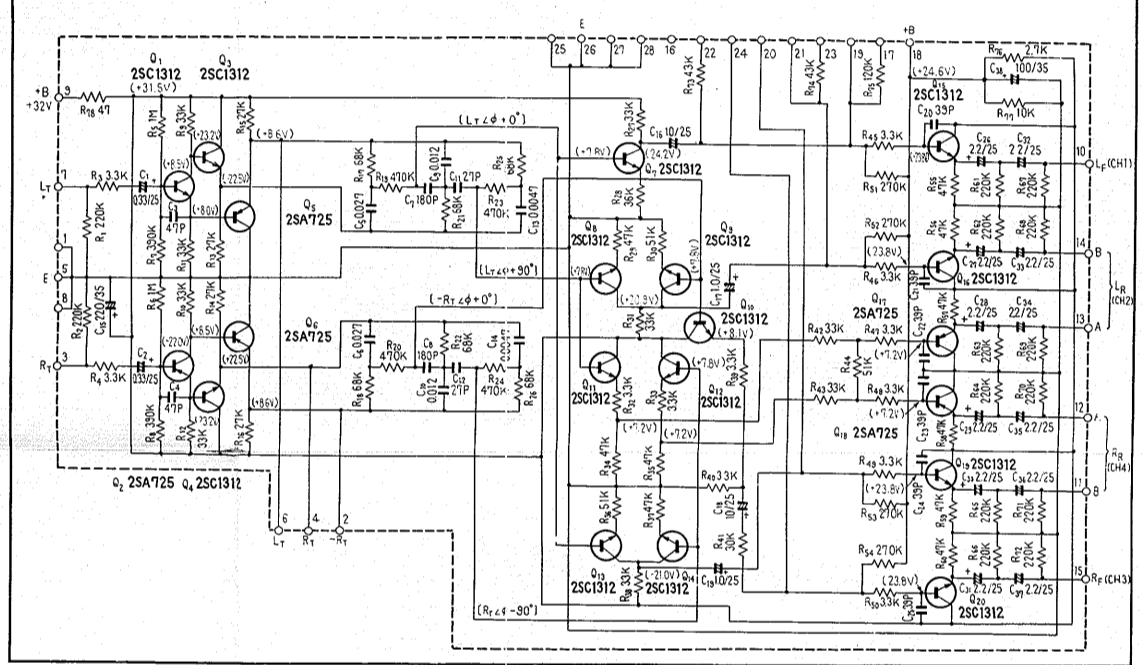
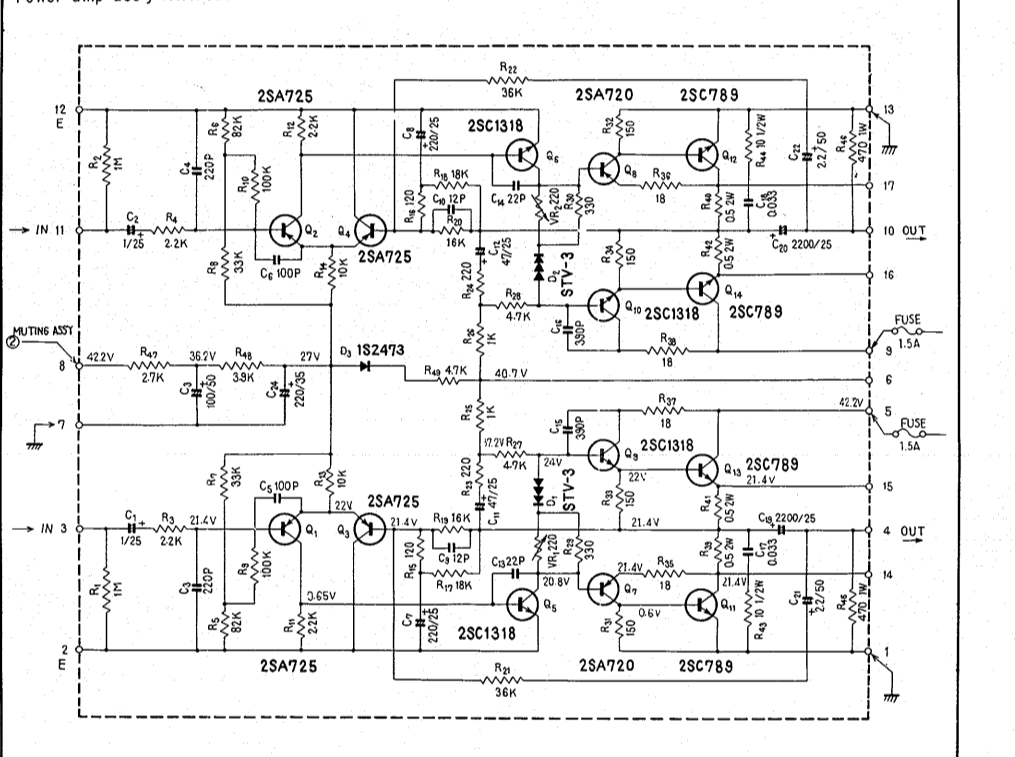
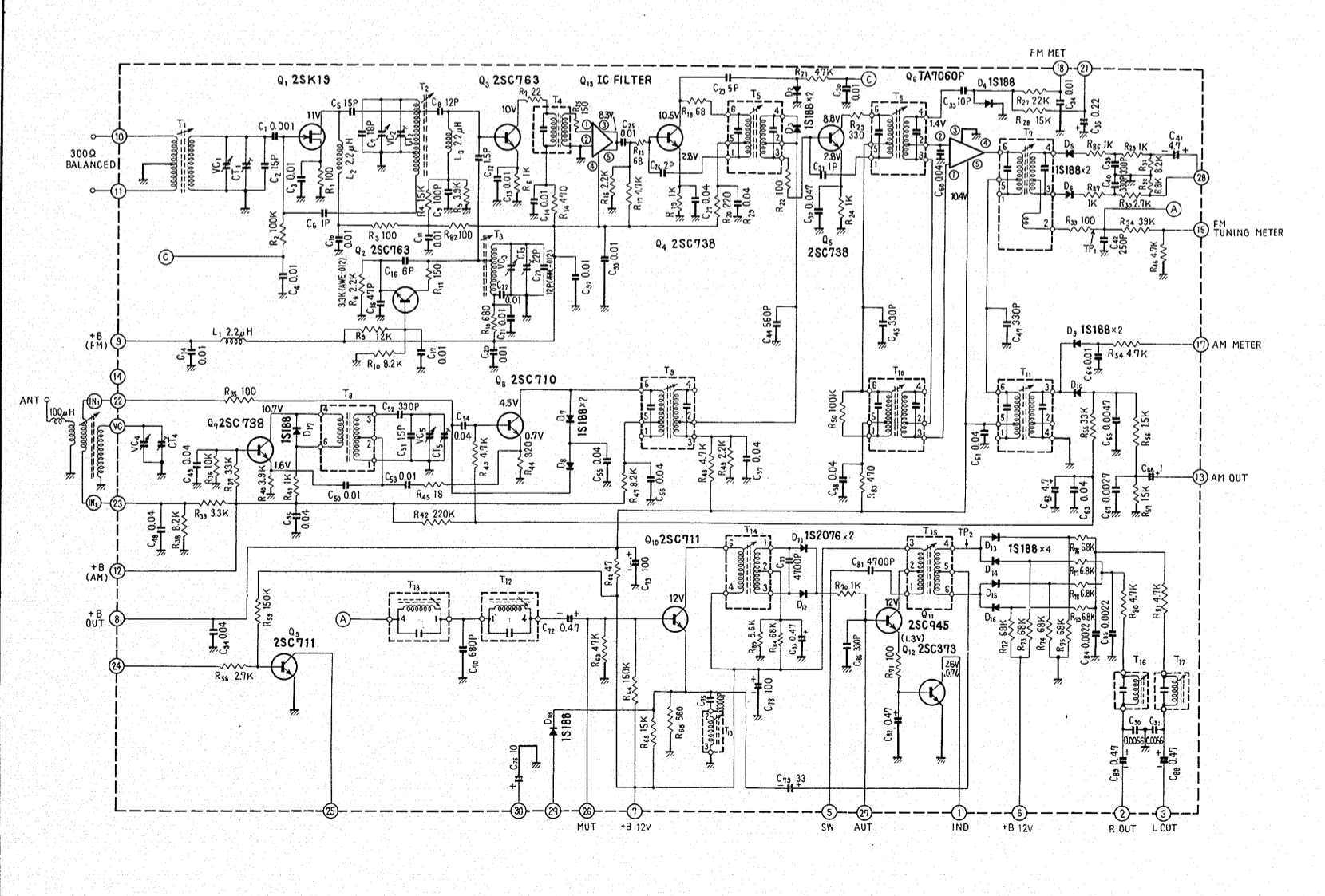
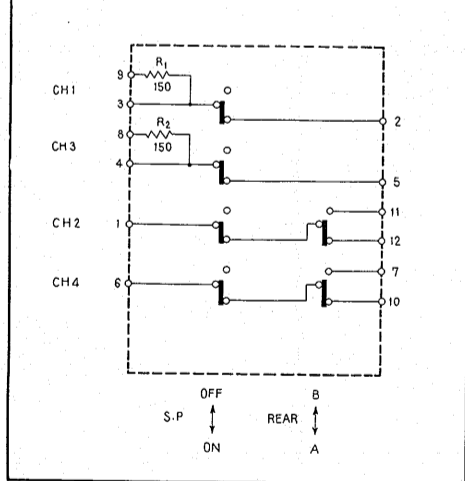
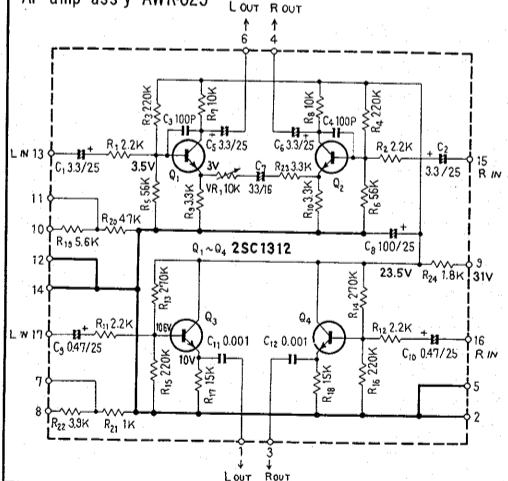
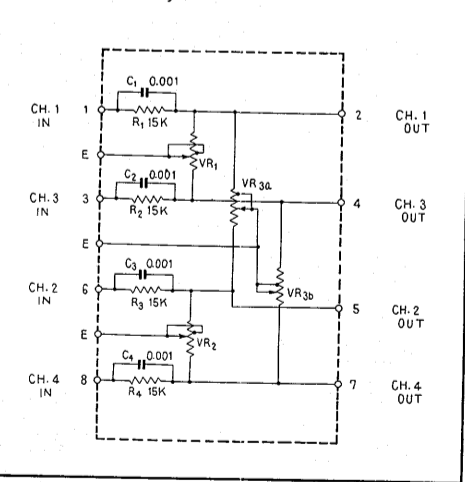
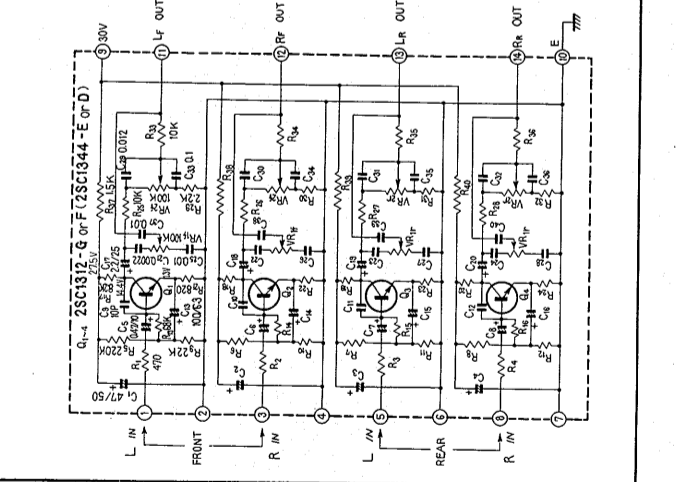
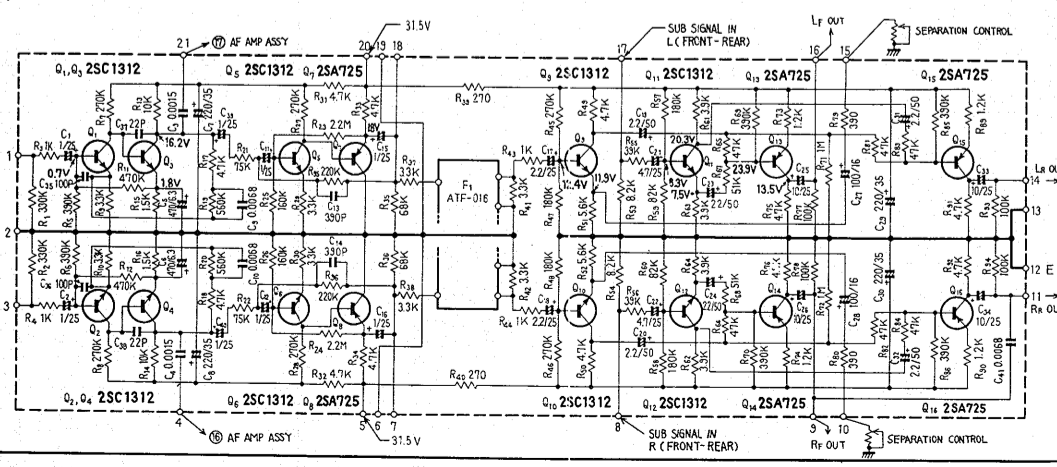
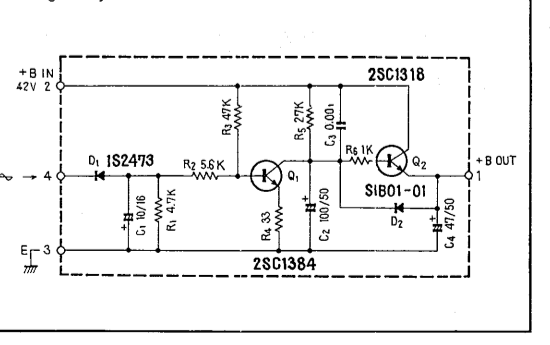
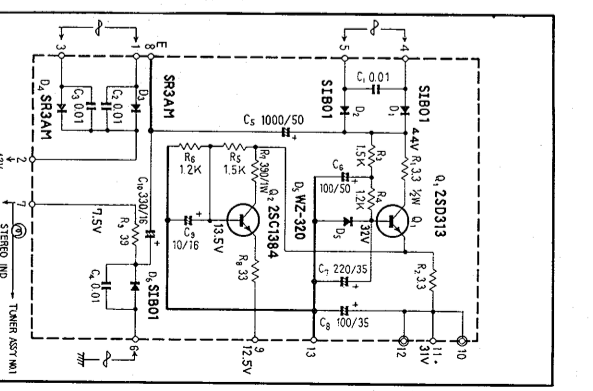
- SWITCHES**
- S₁ FUNCTION (AM position)**
1. AM
 2. FM MONO
 3. FM AUTO
 4. PHONO
 5. AUX
- S₂ MODE (2CH position)**
1. 2 CH
 2. CD-4
 3. RM-4 CH
 4. SQ
- S₃ POWER (OFF position)**
1. OFF
 2. ON
- S₄ DE-EMPHASIS (75μS position)**
1. 75 μS
 2. 50 μS

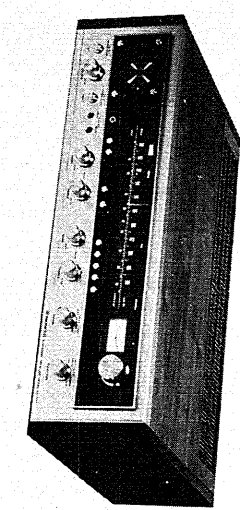
RESISTORS
IN Ω, 1/4W, ±5% TOLERANCE UNLESS OTHERWISE NOTED.
K: KΩ, M: MΩ.

CAPACITORS
IN μF UNLESS OTHERWISE NOTED. P: pF.

NOTE:
No DE-EMPHASIS switch (S₄) is provided for 120V unit, but capacitors (C₆) (C₇) are provided.



QX-646₂**Sub channel circuit ass'y AWX051****Switch circuit ass'y AWS023****Decoder ass'y AWM031****Power amp ass'y AWH019****Tuner ass'y AWE003****SP switch circuit ass'y AWS024****AF amp ass'y AWK025****Balance volume ass'y AWX028****Control amp ass'y AWG015****Equalizer & matrix circuit ass'y AWM045****Muting ass'y AWM046****Power supply circuit ass'y AWR035**

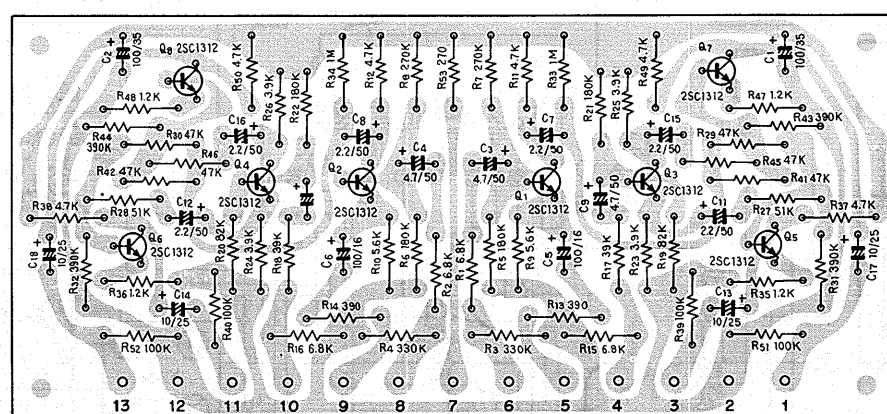


QUAD-747

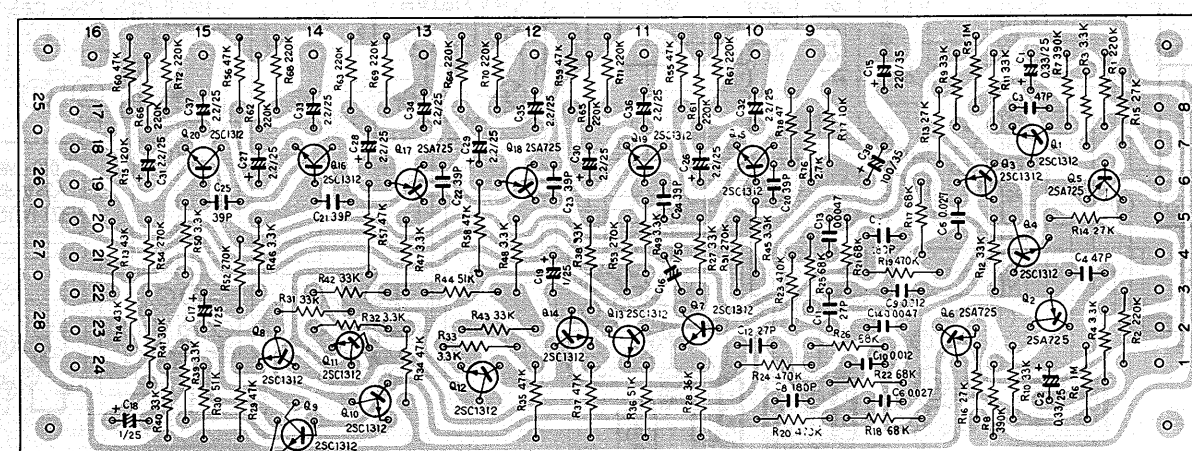
QUADRONIC RECEIVER
FW FCW FUW

23

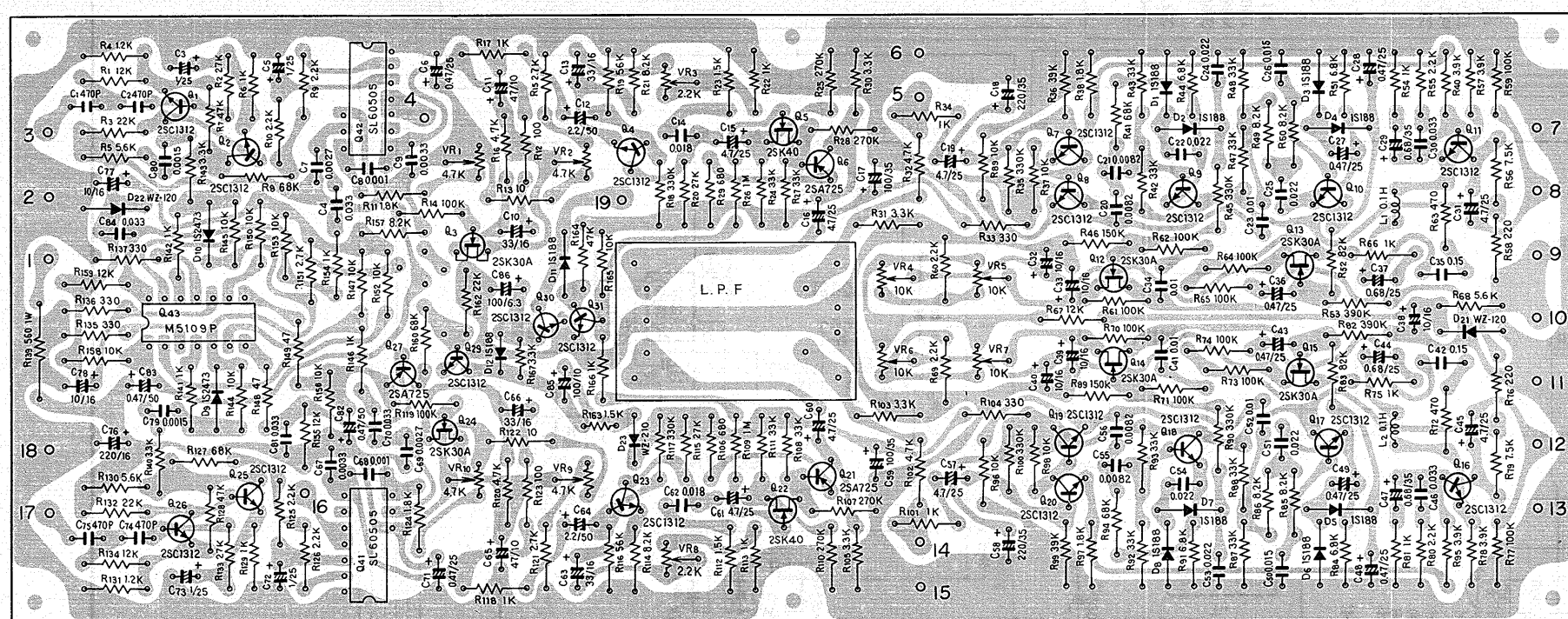
Matrix ass'y AWM-048



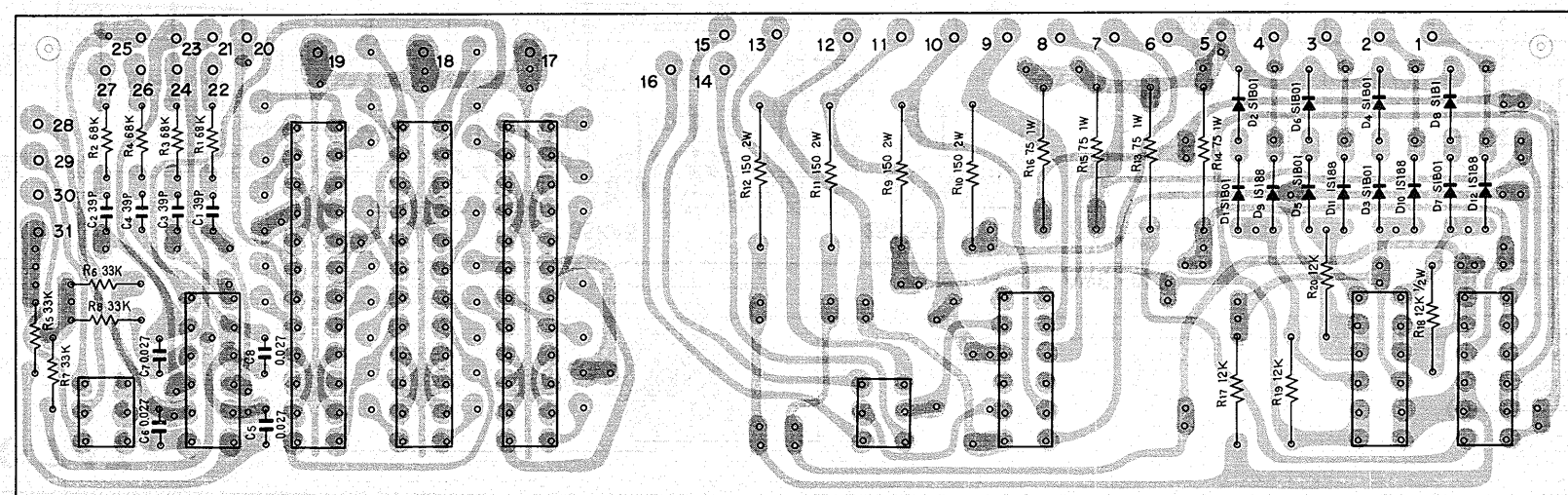
Decoder ass'y AWM-065



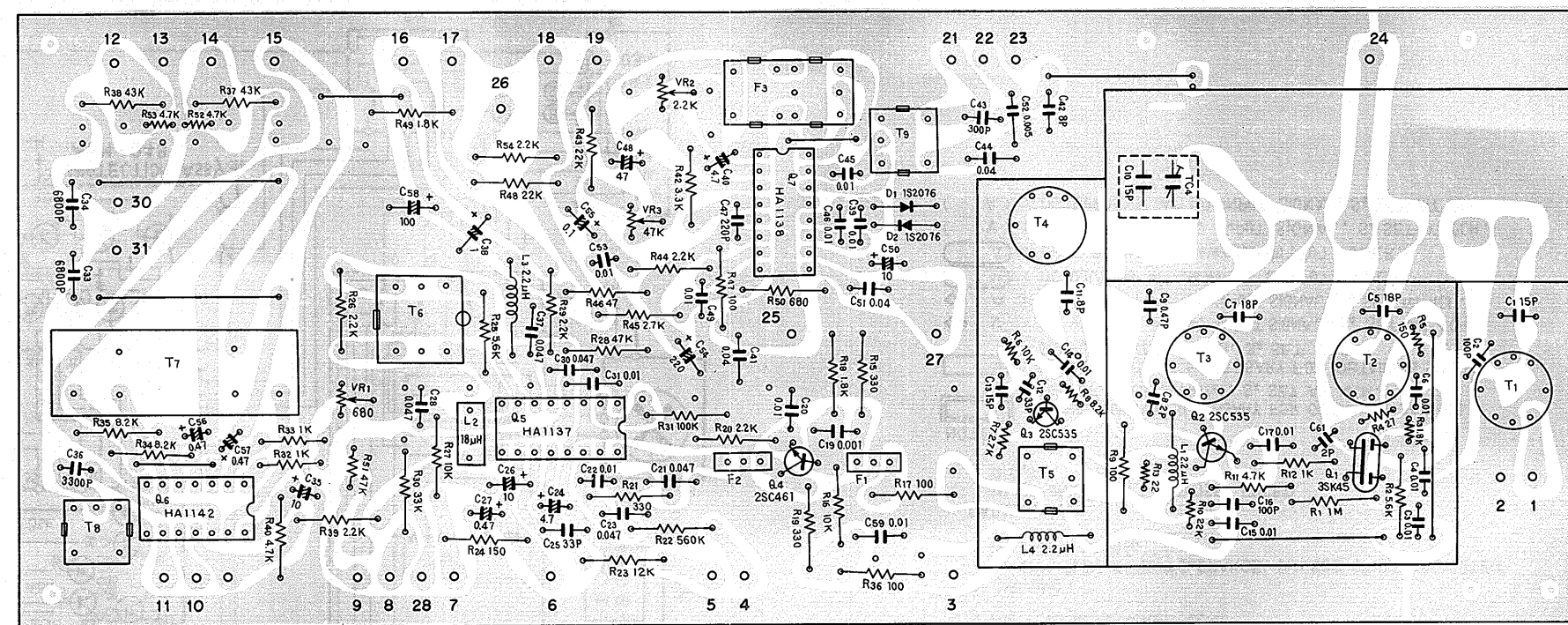
Sub channel circuit ass'y AWX-051



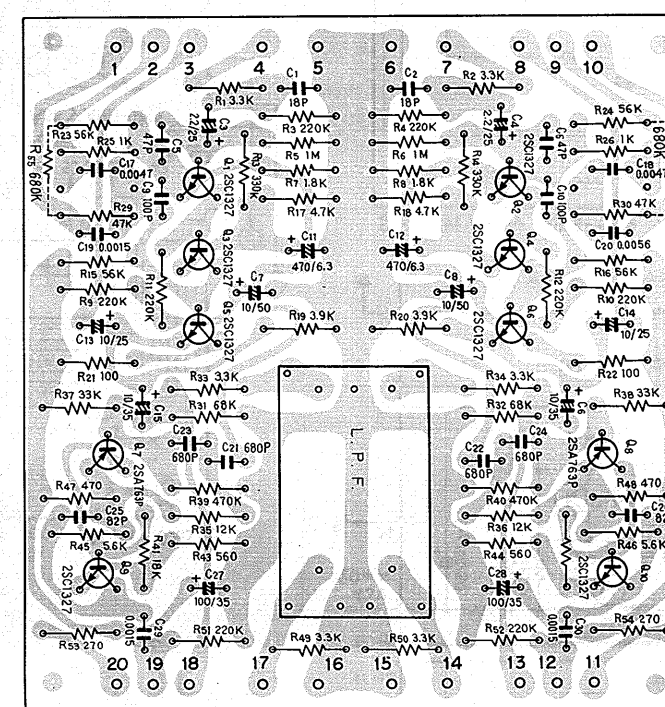
Switch ass'y AWS-049



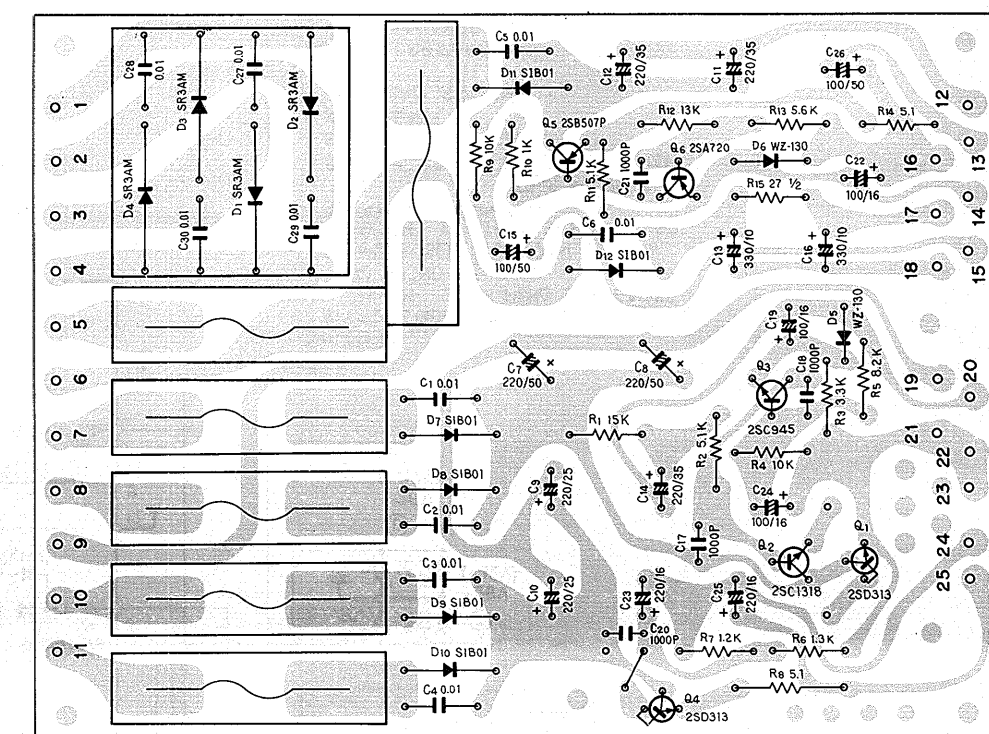
Tuner ass'y AWE-028



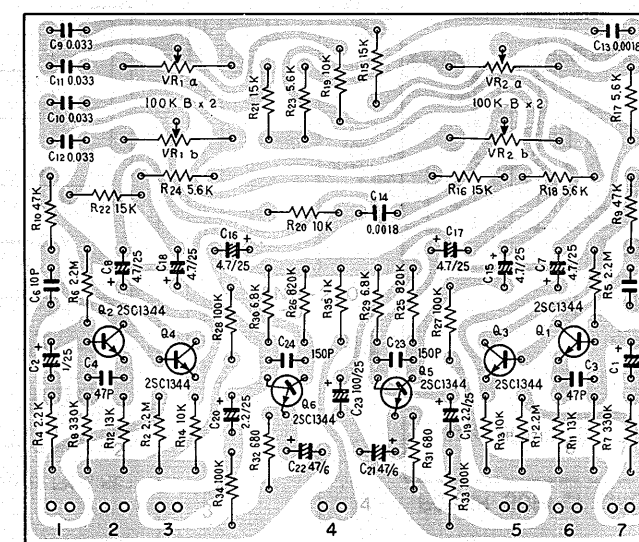
Equalizer amp ass'y AWF-010



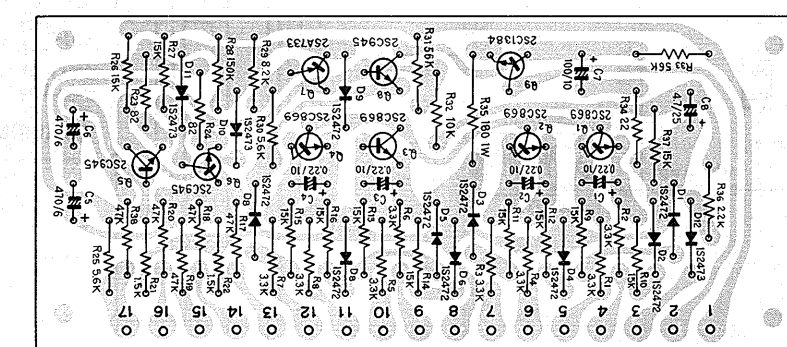
Power supply ass'y AWR-040



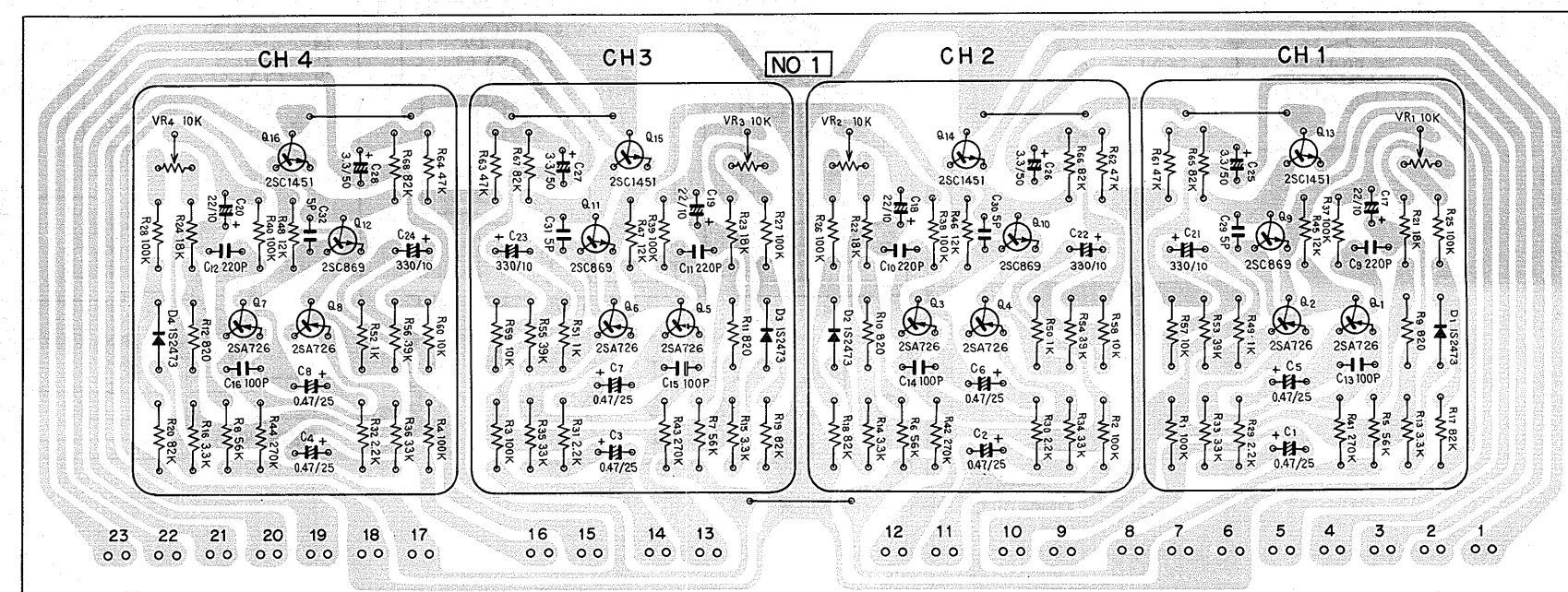
Control amp ass'y AWG-024

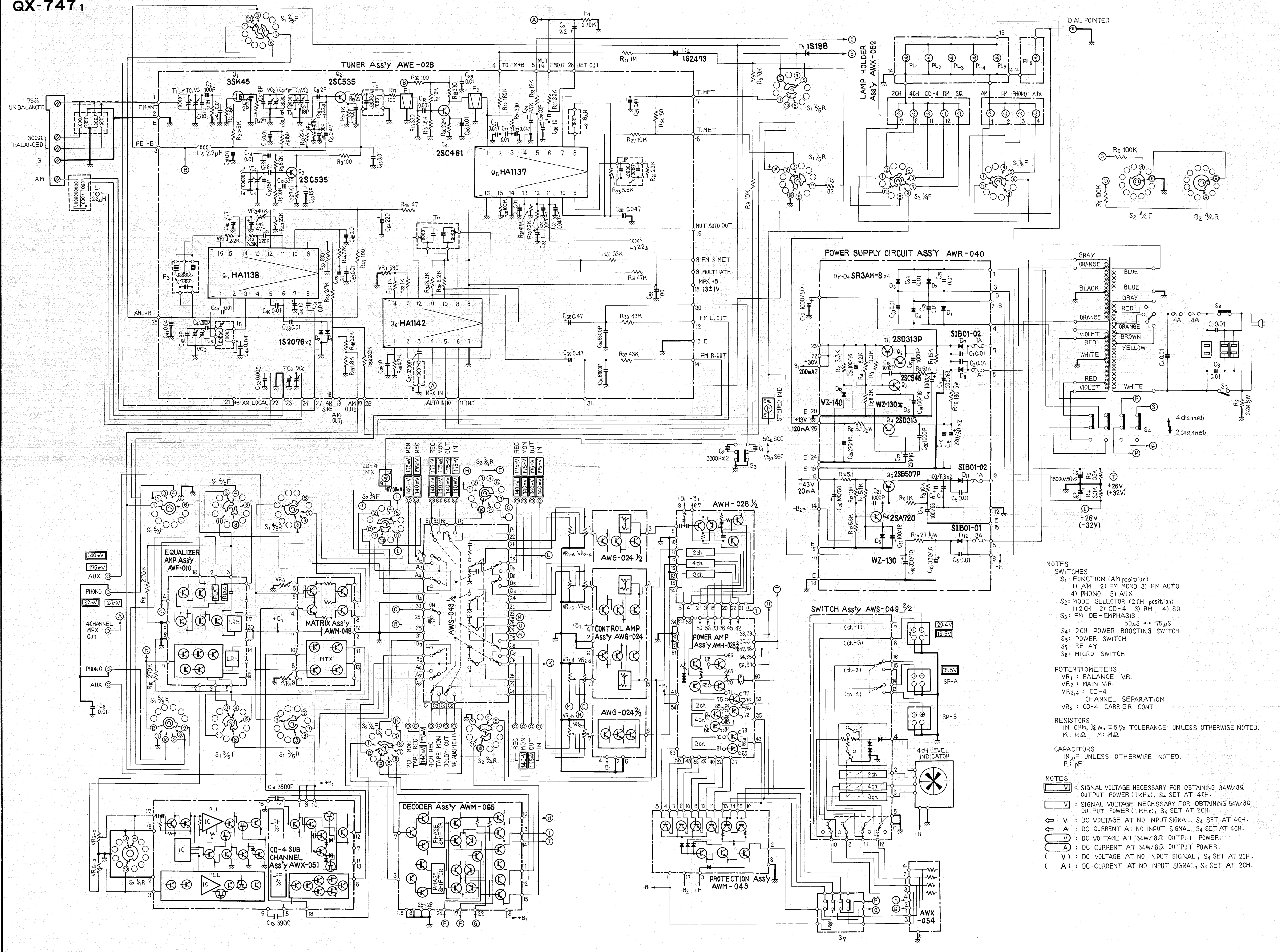


Protection circuit ass'y AWM-049

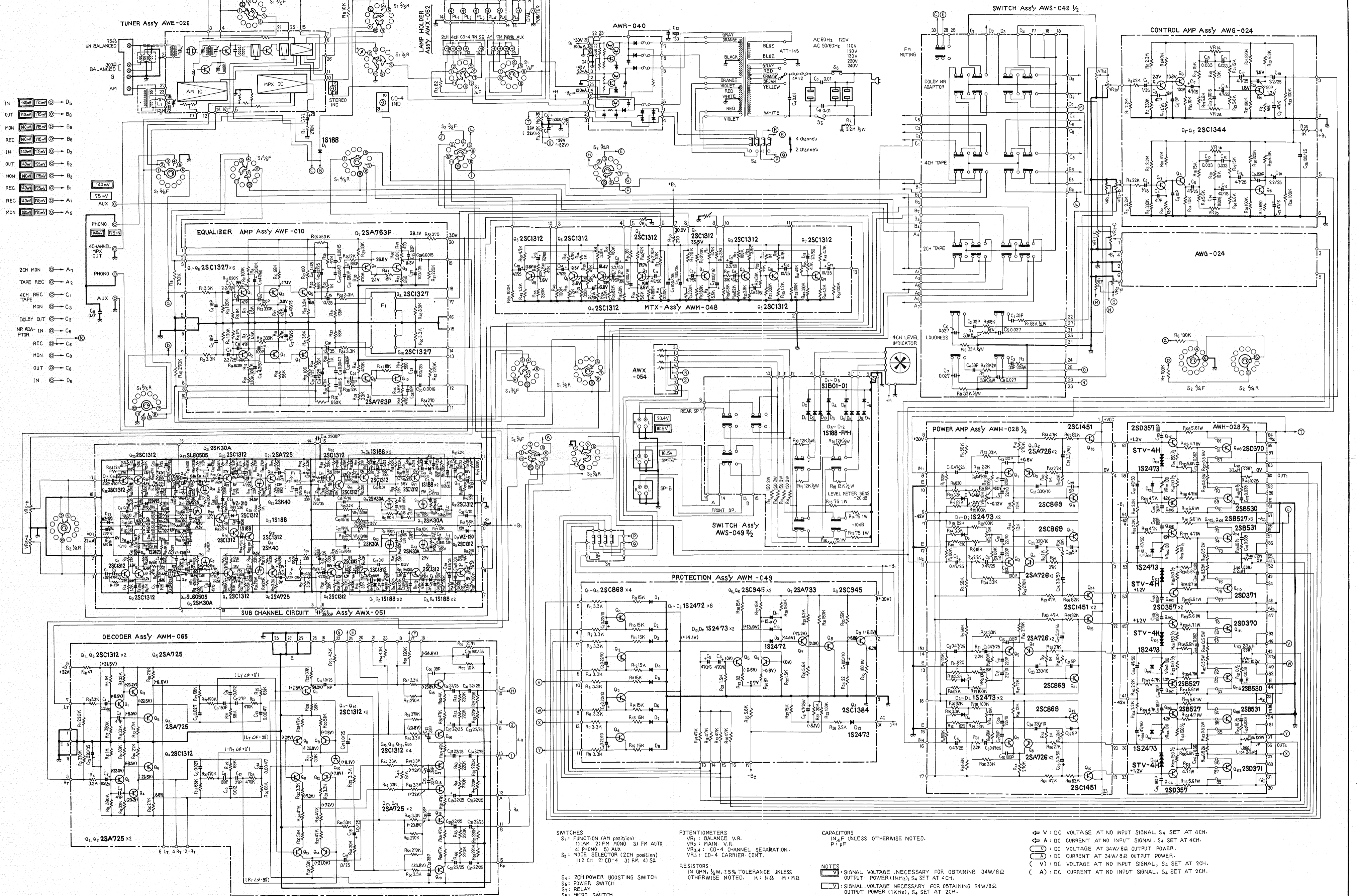


Power amp ass'y AWH-028





- NOTES**
- SWITCHES**
 S1: FUNCTION (AM position)
 1) AM 2) FM MONO 3) FM AUTO
 4) PHONO 5) AUX
 S2: MODE SELECTOR (2CH position)
 1) 2CH 2) CD-4 3) RM 4) SQ
 S3: FM DE-EMPHASIS
 50µS → 75µS
 S4: 2CH POWER BOOSTING SWITCH
 S5: POWER SWITCH
 S7: RELAY
 S8: MICRO SWITCH
- POTENTIOMETERS**
 VR1: BALANCE VR.
 VR2: MAIN V.R.
 VR3,4: CD-4
 CHANNEL SEPARATION
 VR5: CD-4 CARRIER CONT
- RESISTORS**
 IN OHM, 1/4W, ±5% TOLERANCE UNLESS OTHERWISE NOTED.
 K: kΩ M: MΩ
- CAPACITORS**
 IN µF UNLESS OTHERWISE NOTED.
 P: pF
- NOTES**
 [V] : SIGNAL VOLTAGE NECESSARY FOR OBTAINING 34W/8Ω OUTPUT POWER (1kHz), S4 SET AT 4CH.
 [VI] : SIGNAL VOLTAGE NECESSARY FOR OBTAINING 54W/8Ω OUTPUT POWER (1kHz), S4 SET AT 2CH.
 [V] : DC VOLTAGE AT NO INPUT SIGNAL, S4 SET AT 4CH.
 [A] : DC CURRENT AT NO INPUT SIGNAL, S4 SET AT 4CH.
 [V] : DC VOLTAGE AT 34W/8Ω OUTPUT POWER.
 [A] : DC CURRENT AT 34W/8Ω OUTPUT POWER.
 (V) : DC VOLTAGE AT NO INPUT SIGNAL, S4 SET AT 2CH.
 (A) : DC CURRENT AT NO INPUT SIGNAL, S4 SET AT 2CH.



- IN 140mV 175mV @ D₆
- OUT 140mV 175mV @ B₆
- MON 140mV 175mV @ B₅
- REC 140mV 175mV @ B₆
- IN 140mV 175mV @ D₂
- MON 140mV 175mV @ B₃
- REC 140mV 175mV @ B₁
- MON 140mV 175mV @ A₁
- REC 140mV 175mV @ A₆
- PHONO 175mV
- 4CHANNEL MIX OUT
- PHONO
- 2CH MON @ A₇
- TAPE REC @ A₂
- 4CH REC @ C₁
- MON @ C₂
- DOLBY NR @ C₃
- NR ADAPTOR IN @ C₅
- REC @ C₆
- MON @ C₈
- OUT @ C₈
- IN @ D₆

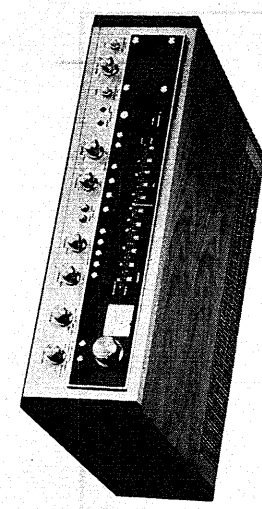
SWITCHES
 S₁: FUNCTION (AM position)
 1) AM 2) FM MONO 3) FM AUTO
 4) PHONO 5) AUX
 S₂: MODE SELECTOR (2CH position)
 1) 2 CH 2) CD-4 3) RM 4) SA

POTENTIOMETERS
 VR₁: BALANCE V.R.
 VR₂: MAIN V.R.
 VR_{3,4}: CD-4 CHANNEL SEPARATION.
 VR₅: CD-4 CARRIER CONT.

RESISTORS
 IN OHM, 1/2W, ±5% TOLERANCE UNLESS OTHERWISE NOTED. K: kΩ M: MΩ

CAPACITORS
 IN μF UNLESS OTHERWISE NOTED.
 P: pF

NOTES
 (V): SIGNAL VOLTAGE NECESSARY FOR OBTAINING 34W/8Ω OUTPUT POWER (1KH_z), S₄ SET AT 4CH.
 (A): DC CURRENT AT NO INPUT SIGNAL, S₄ SET AT 2CH.
 (V): SIGNAL VOLTAGE NECESSARY FOR OBTAINING 54W/8Ω OUTPUT POWER (1KH_z), S₄ SET AT 2CH.

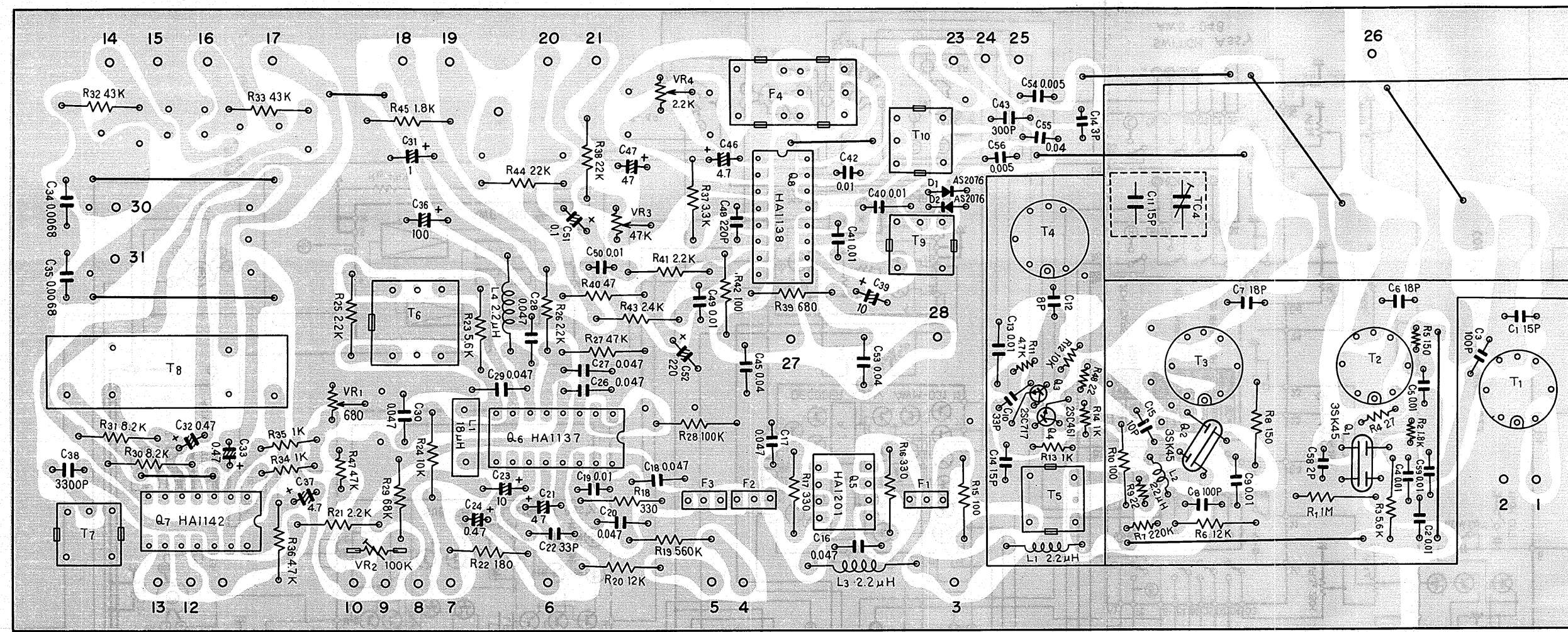


QUADROPHONIC RECEIVER

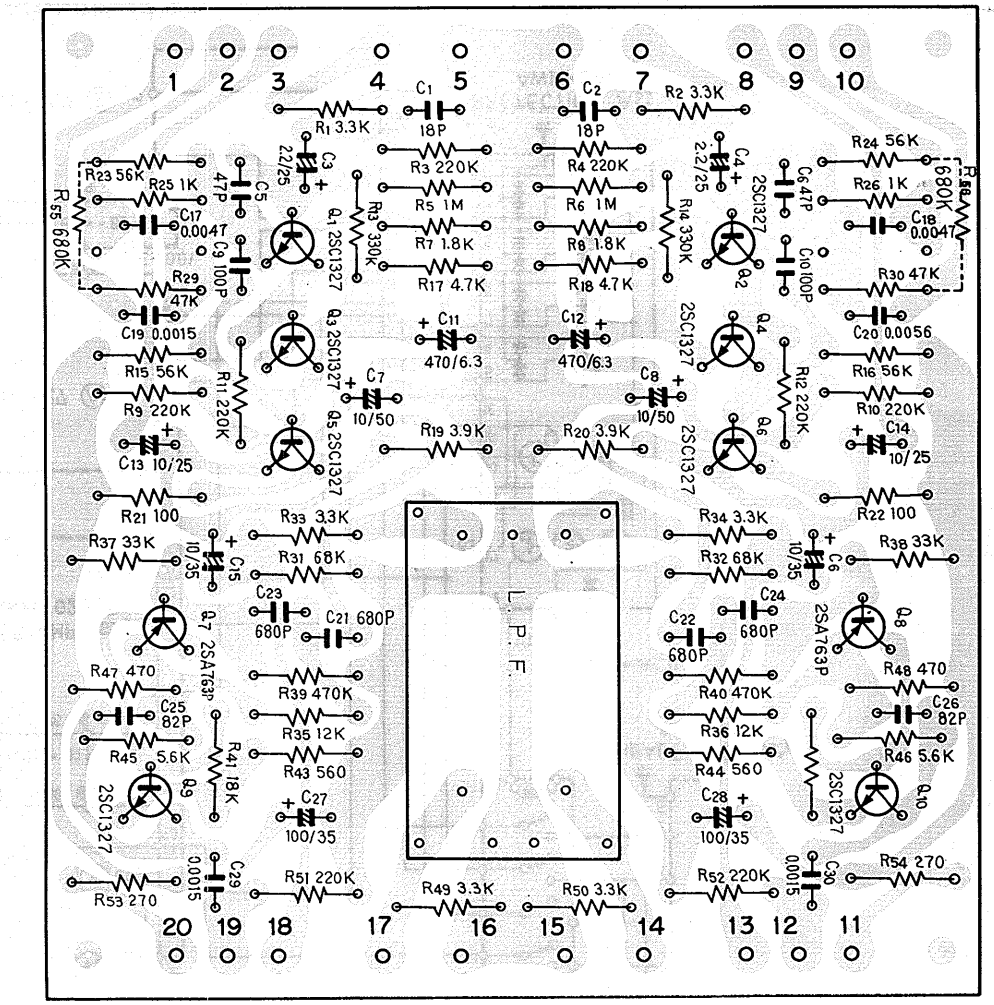
FV FW

24

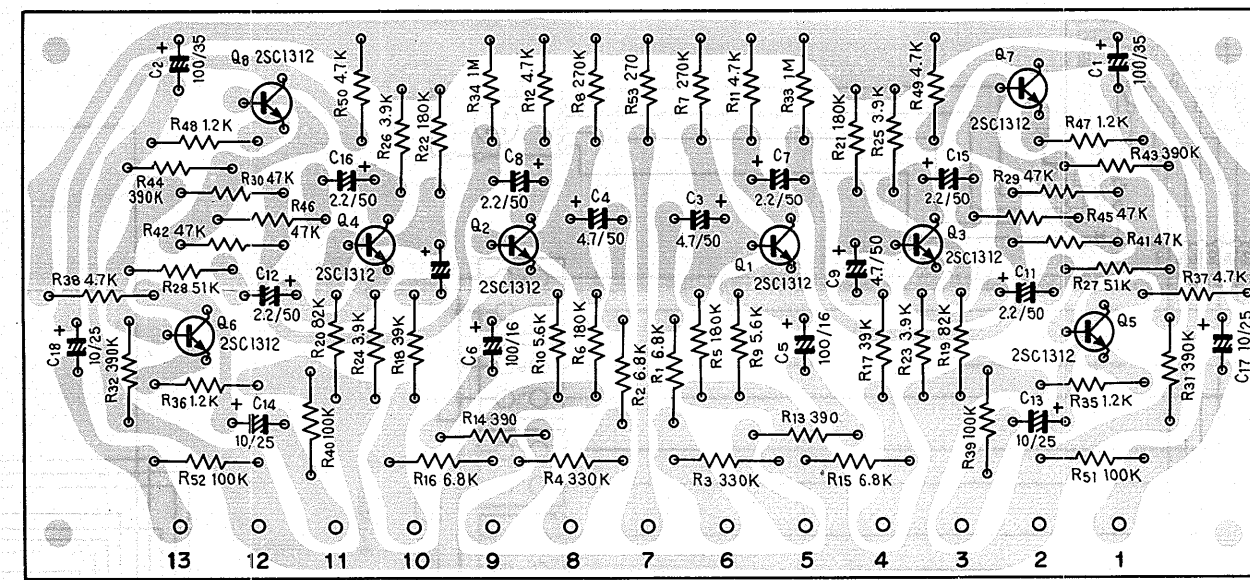
Tuner ass'y AWE-027



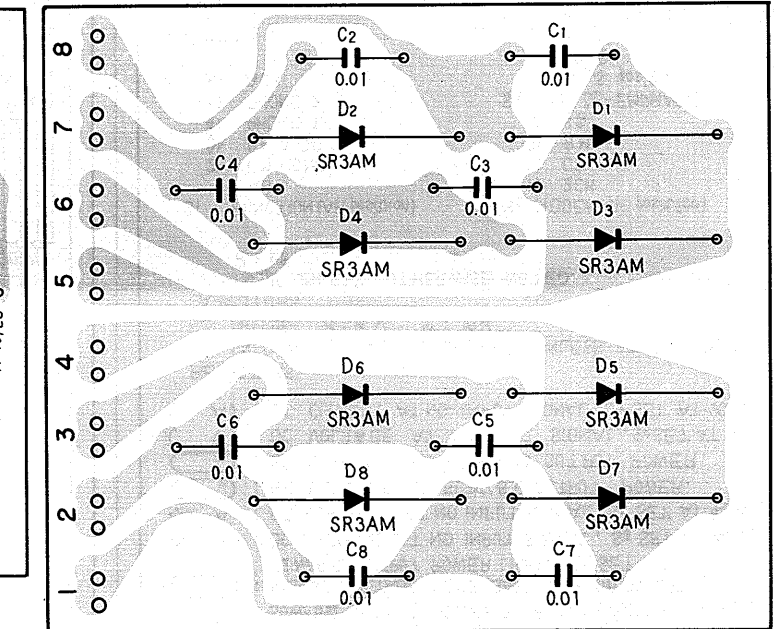
Equalizer amp ass'y AWF-010



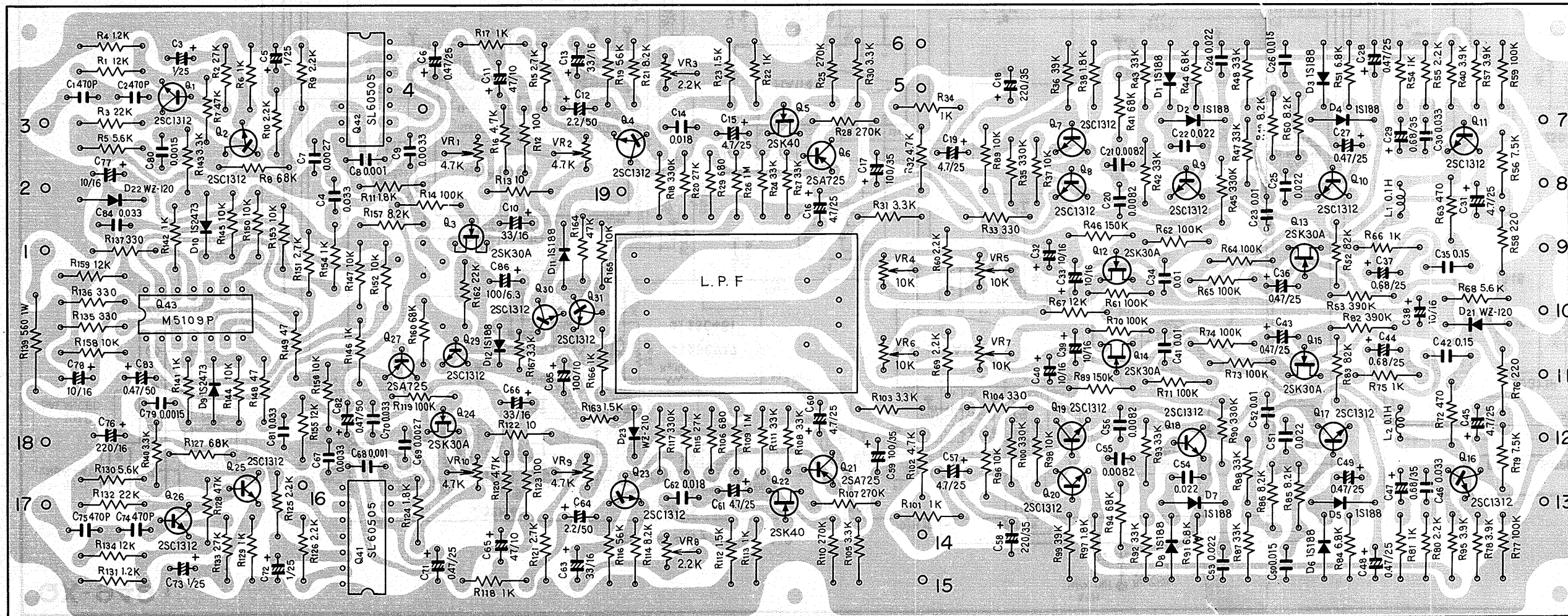
Matrix ass'y AWM-048



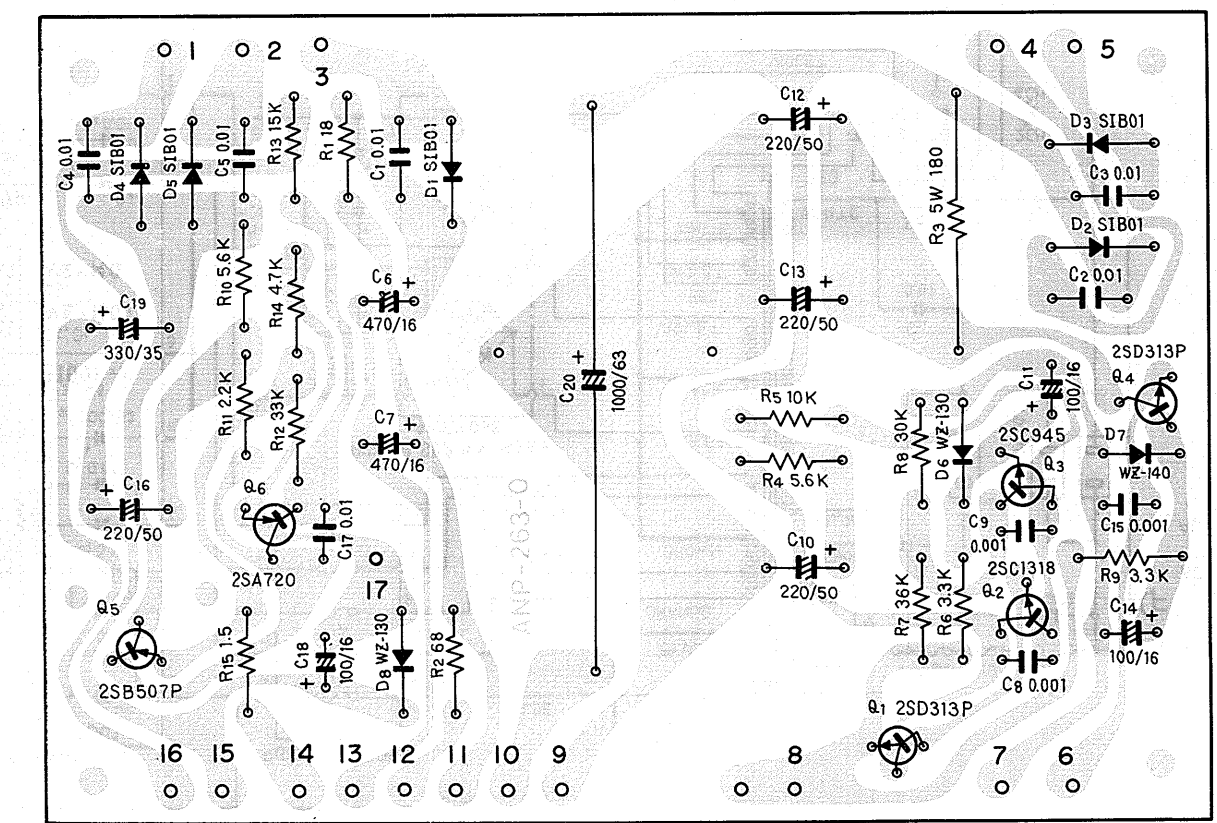
Power supply ass'y B AWR-039



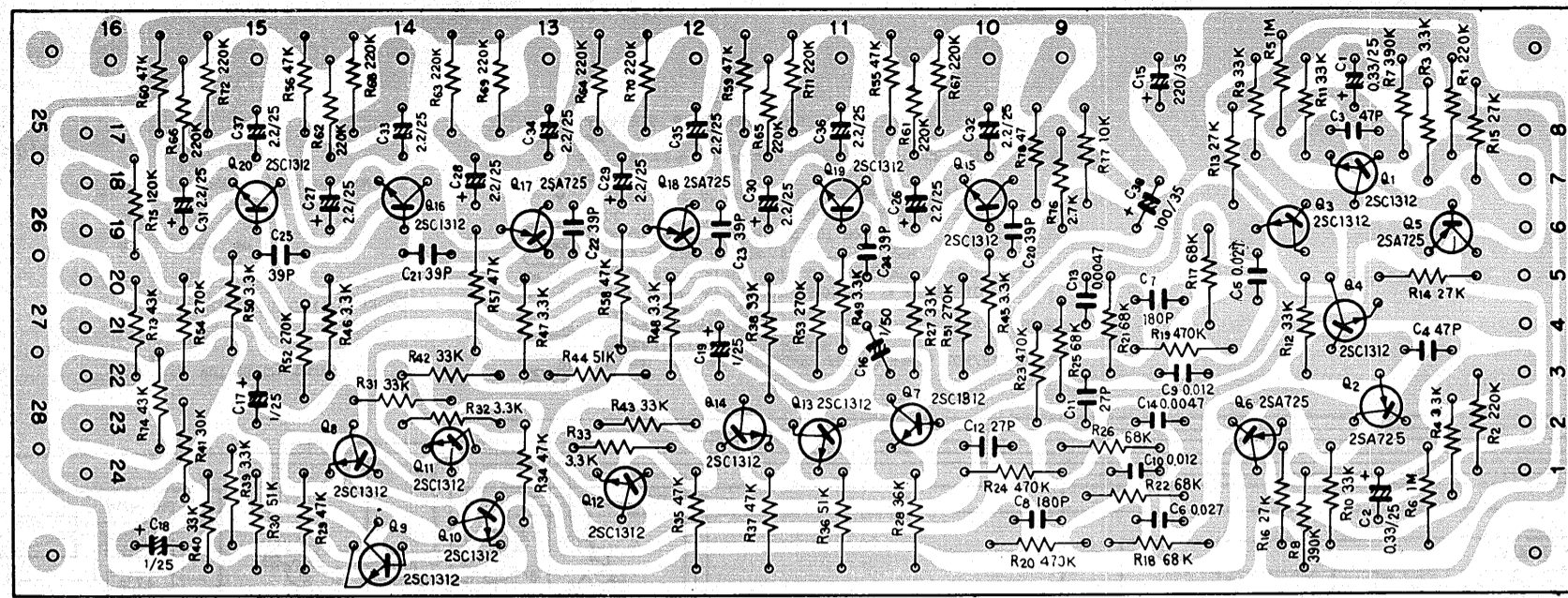
Sub channel circuit ass'y AWX-051



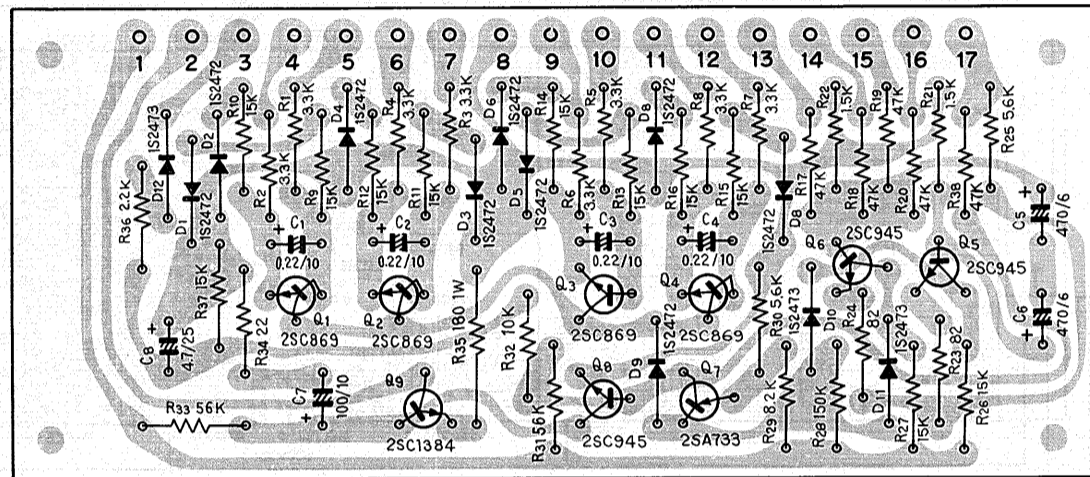
Power supply ass'y A AWR-038



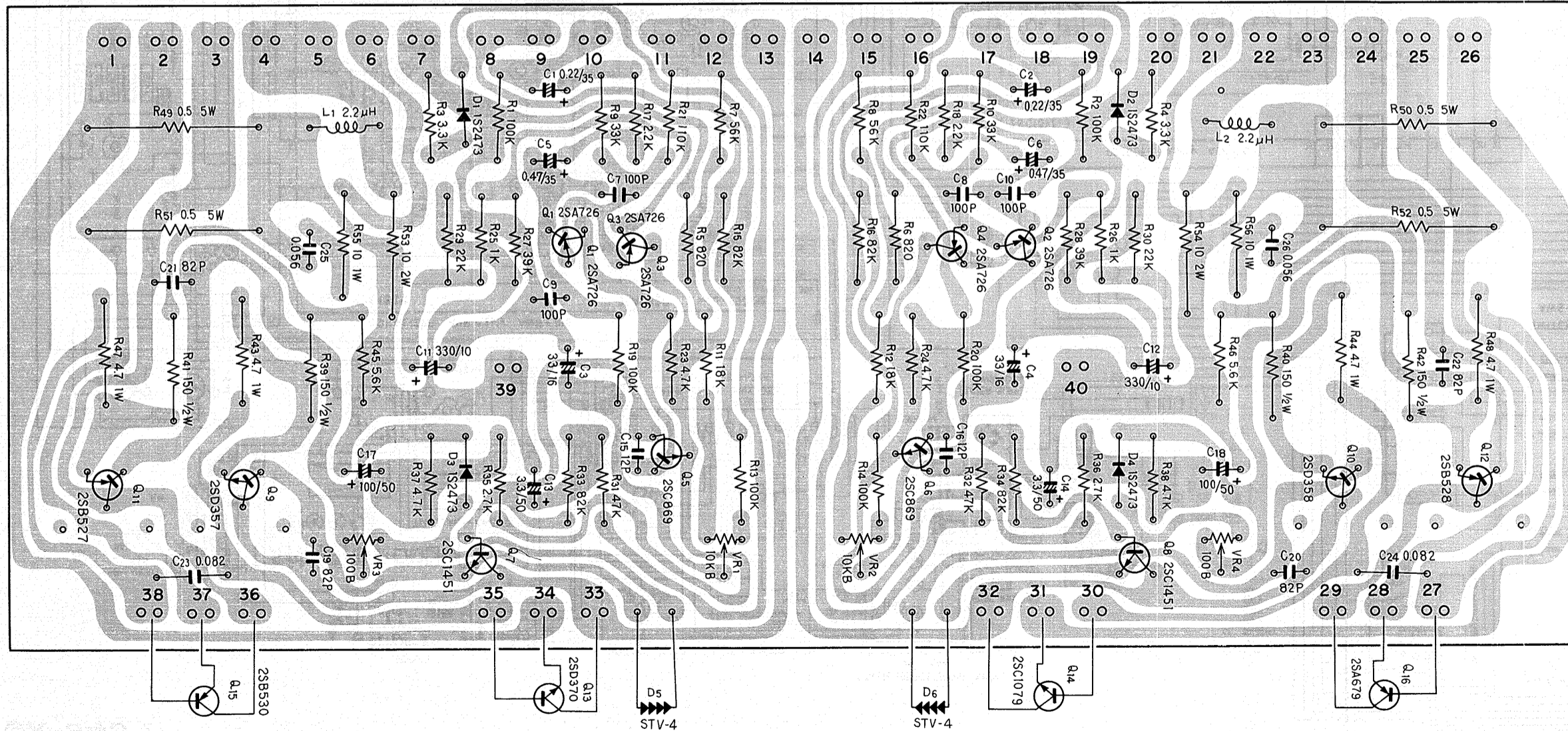
Decoder ass'y AWM-031



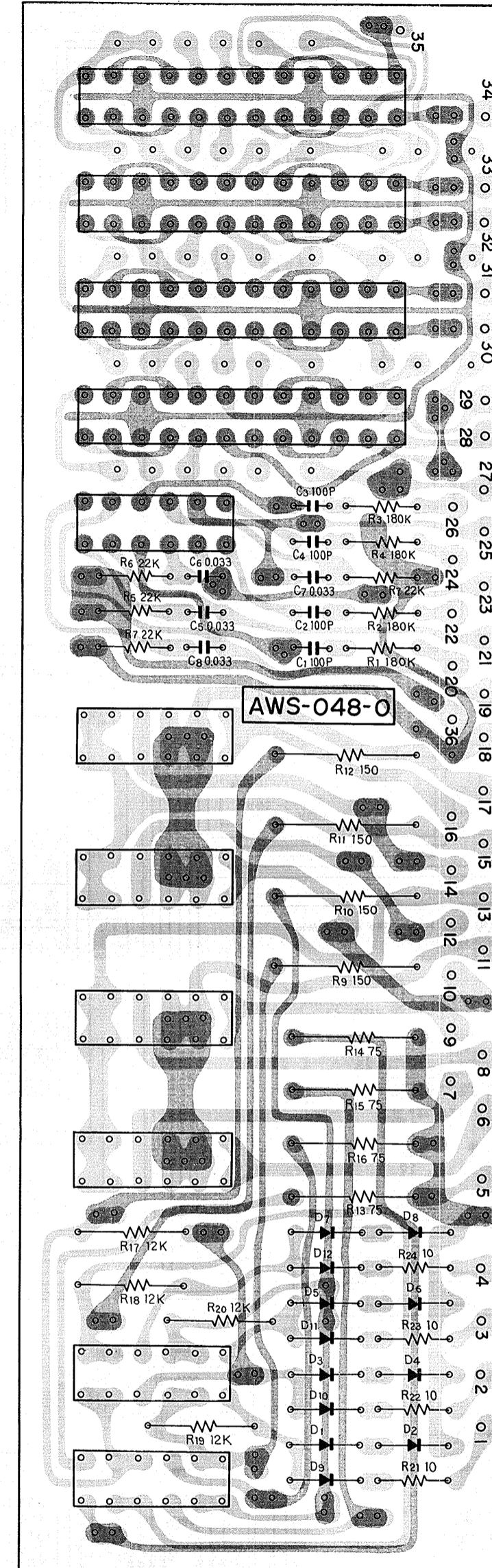
Protection circuit ass'y AWM-049



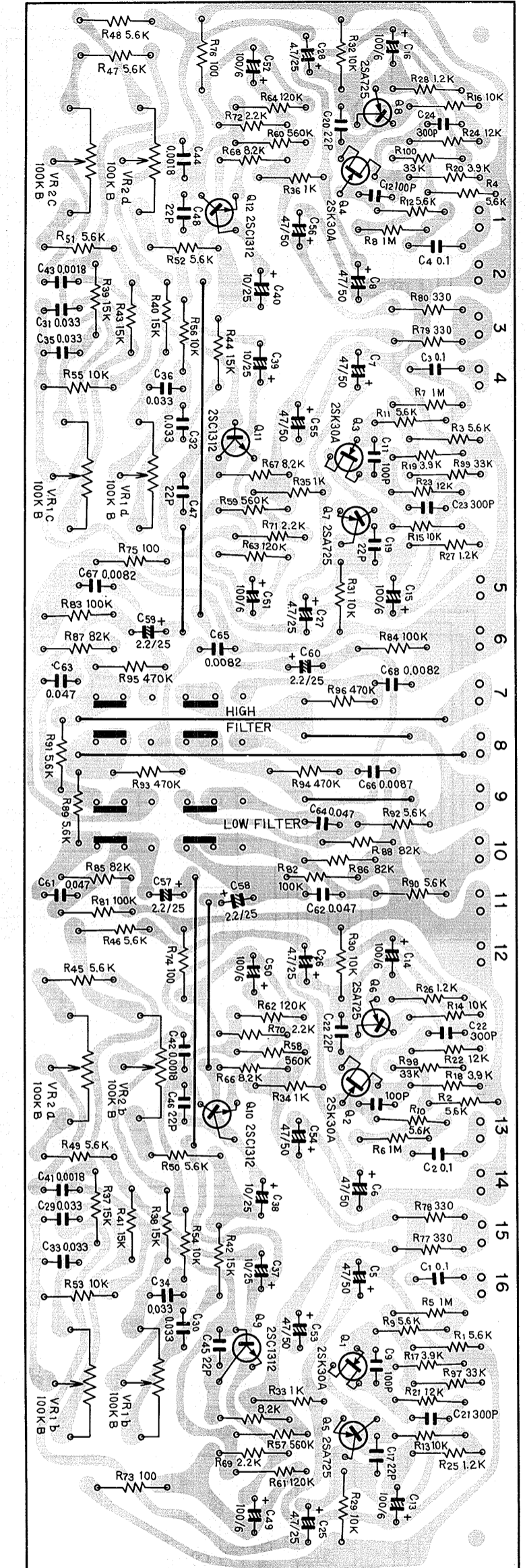
Power amp ass'y AWH-027

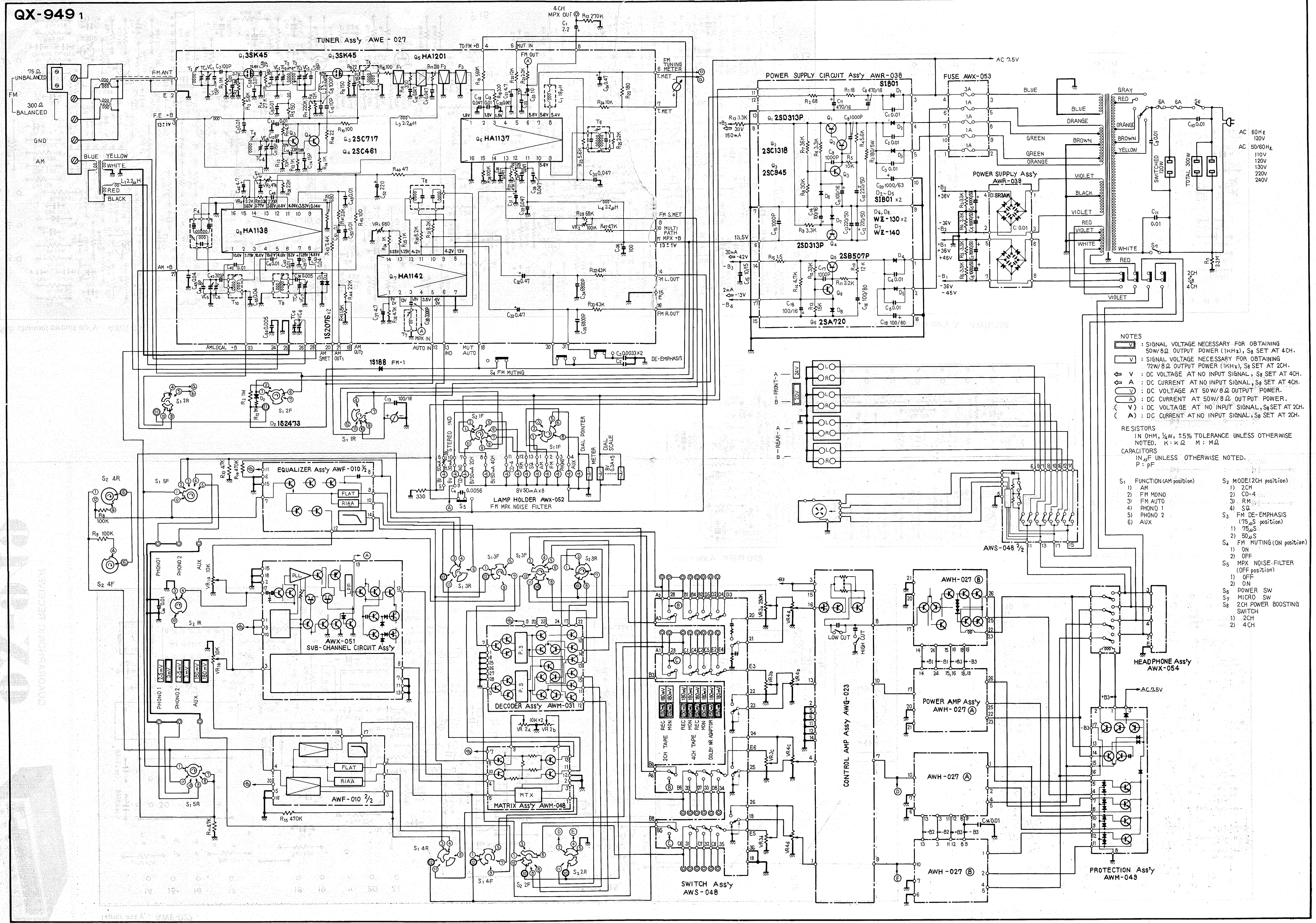


Switch ass'y AWS-048



Control amp ass'y AWG-023



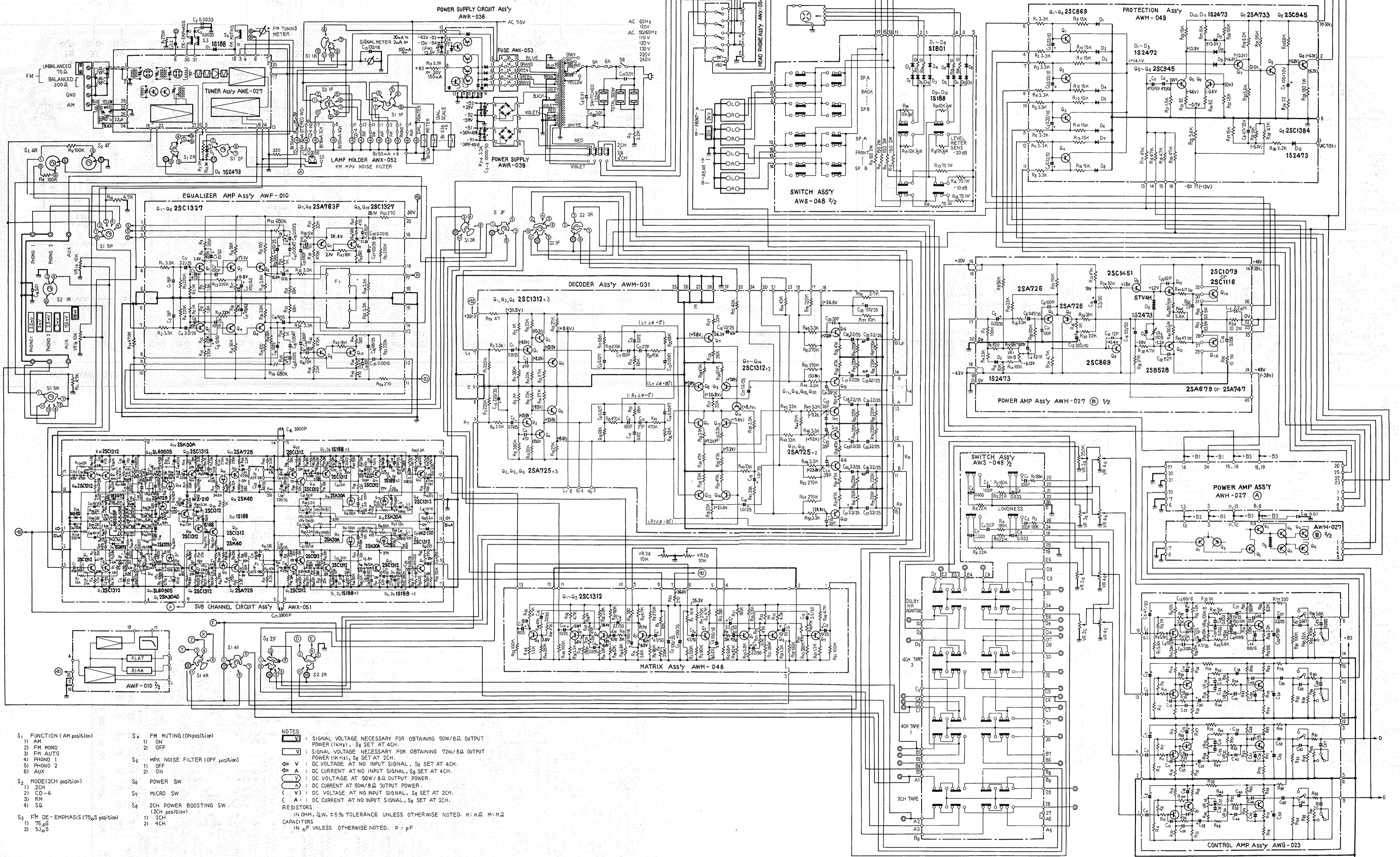


- NOTES**
- : SIGNAL VOLTAGE NECESSARY FOR OBTAINING 50W/8Ω OUTPUT POWER (1KHz), S₈ SET AT 4CH.
 - : SIGNAL VOLTAGE NECESSARY FOR OBTAINING 72W/8Ω OUTPUT POWER (1KHz), S₈ SET AT 2CH.
 - : DC VOLTAGE AT NO INPUT SIGNAL, S₈ SET AT 4CH.
 - : DC CURRENT AT NO INPUT SIGNAL, S₈ SET AT 4CH.
 - : DC VOLTAGE AT 50W/8Ω OUTPUT POWER.
 - : DC CURRENT AT 50W/8Ω OUTPUT POWER.
 - : DC VOLTAGE AT NO INPUT SIGNAL, S₈ SET AT 2CH.
 - : DC CURRENT AT NO INPUT SIGNAL, S₈ SET AT 2CH.

RESISTORS
IN OHM, 1/4W, ±5% TOLERANCE UNLESS OTHERWISE NOTED. K: KΩ M: MΩ

CAPACITORS
IN μF UNLESS OTHERWISE NOTED.
P: pF

- S₁ FUNCTION (AM position)**
- 1) AM
 - 2) FM MONO
 - 3) FM AUTO
 - 4) PHONO 1
 - 5) PHONO 2
 - 6) AUX
- S₂ MODE (2CH position)**
- 1) 2CH
 - 2) CD-4
 - 3) RM
 - 4) SQ
- S₃ FM DE-EMPHASIS (75μS position)**
- 1) 75μS
 - 2) 50μS
- S₄ FM MUTING (ON position)**
- 1) ON
 - 2) OFF
- S₅ MPX NOISE-FILTER (OFF position)**
- 1) OFF
 - 2) ON
- S₆ POWER SW**
- S₇ MICRO SW**
- S₈ 2CH POWER BOOSTING SWITCH**
- 1) 2CH
 - 2) 4CH



- S₁ FUNCTION (AM position)
- 1) AM
 - 2) FM MONO
 - 3) FM AUTO
 - 4) PHONO 1
 - 5) PHONO 2
 - 6) AUX
- S₂ MODE (2CH position)
- 1) 2CH
 - 2) CD-4
 - 3) RM
 - 4) SQ
- S₃ FM DE-EMPHASIS (75 μ S position)
- 1) 75 μ S
 - 2) 5 μ S
- S₄ FM MUTING (ON position)
- 1) ON
 - 2) OFF
- S₅ MPX NOISE FILTER (OFF position)
- 1) OFF
 - 2) ON
- S₆ POWER SW
- S₇ MICRO SW
- S₈ 2CH POWER BOOSTING SW (2CH position)
- 1) 2CH
 - 2) 4CH

NOTES

- (V): SIGNAL VOLTAGE NECESSARY FOR OBTAINING 50W/8 Ω OUTPUT POWER (1kHz), S₈ SET AT 4CH.
- (VI): SIGNAL VOLTAGE NECESSARY FOR OBTAINING 72W/8 Ω OUTPUT POWER (1kHz), S₈ SET AT 2CH.
- (V): DC VOLTAGE AT NO INPUT SIGNAL, S₈ SET AT 4CH.
- (A): DC CURRENT AT NO INPUT SIGNAL, S₈ SET AT 4CH.
- (V): DC VOLTAGE AT 50W/8 Ω OUTPUT POWER.
- (V): DC CURRENT AT 50W/8 Ω OUTPUT POWER.
- (V): DC VOLTAGE AT NO INPUT SIGNAL, S₈ SET AT 2CH.
- (A): DC CURRENT AT NO INPUT SIGNAL, S₈ SET AT 2CH.

RESISTORS
IN Ω , $\frac{1}{2}$ W, $\pm 5\%$ TOLERANCE UNLESS OTHERWISE NOTED. K: K Ω M: M Ω

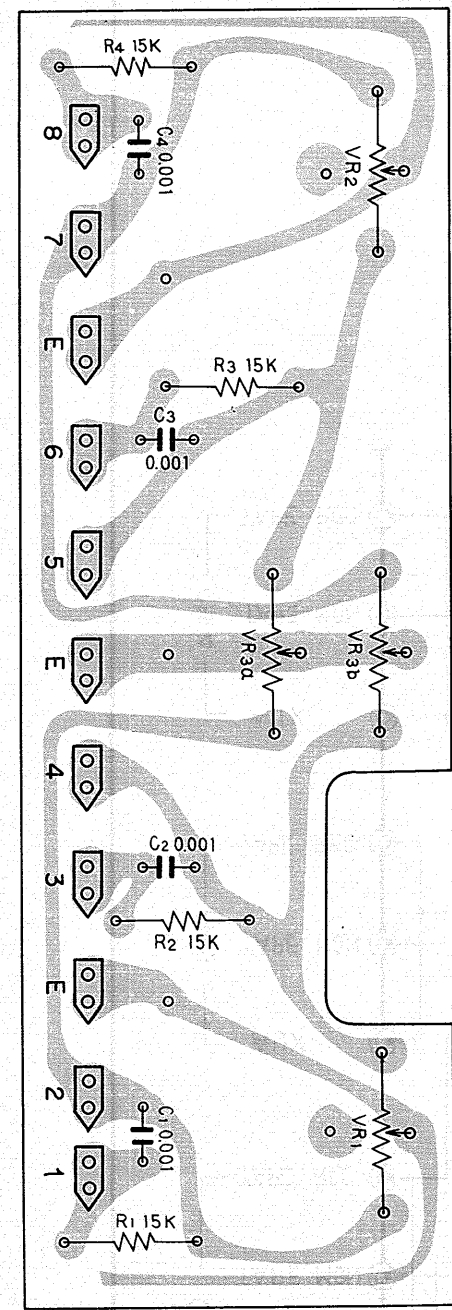
CAPACITORS
IN μ F UNLESS OTHERWISE NOTED. P: pF



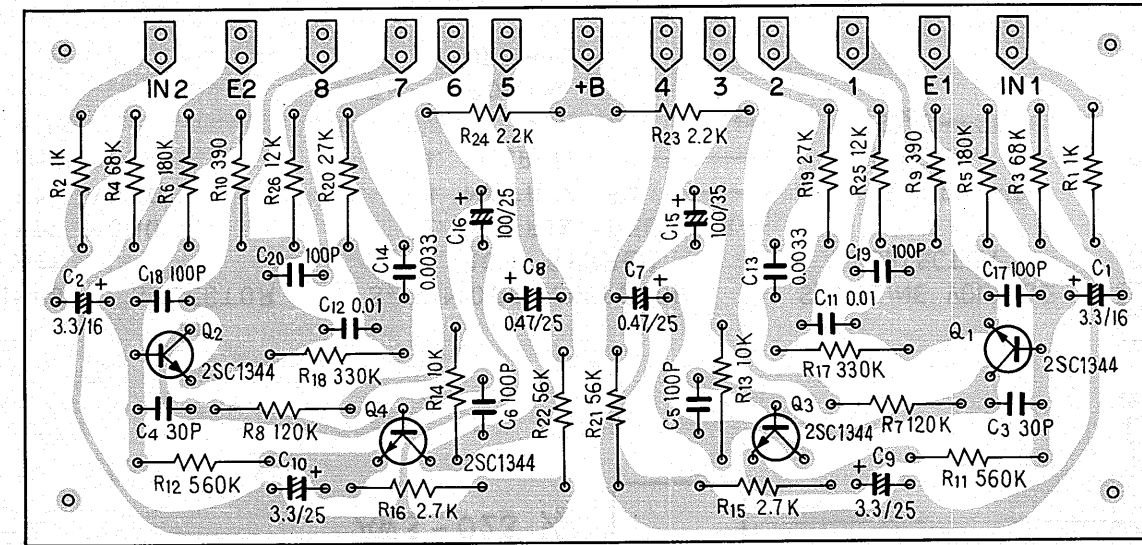
QUADPHONIC RECEIVER
4000
FSAW-FW KUW

25

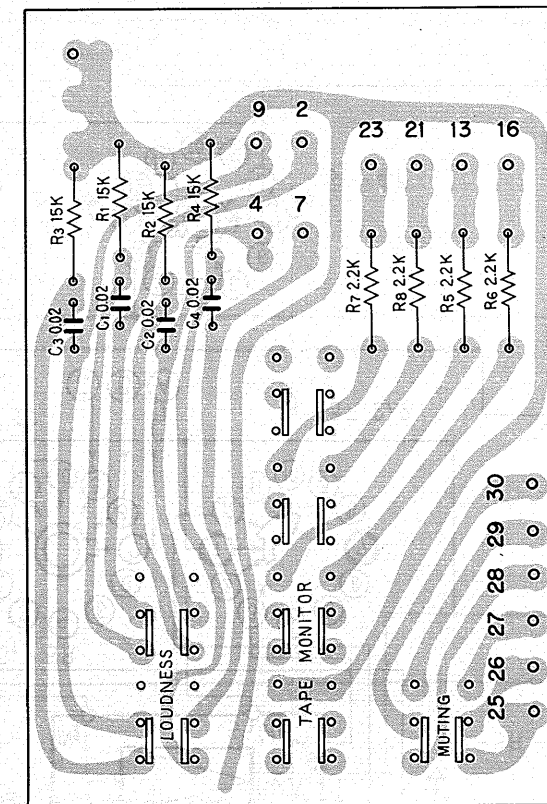
Volume ass'y AWX-028



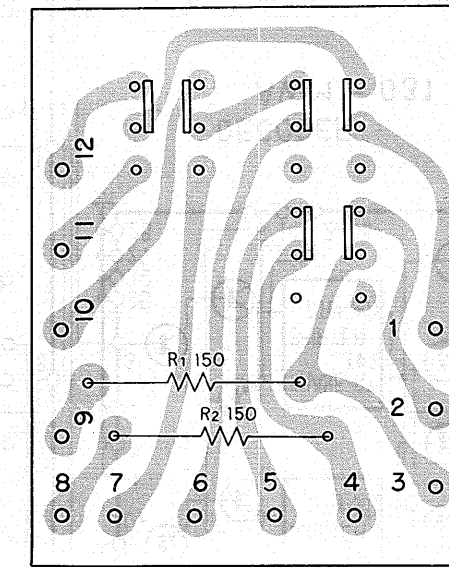
Head amp ass'y AWF-003



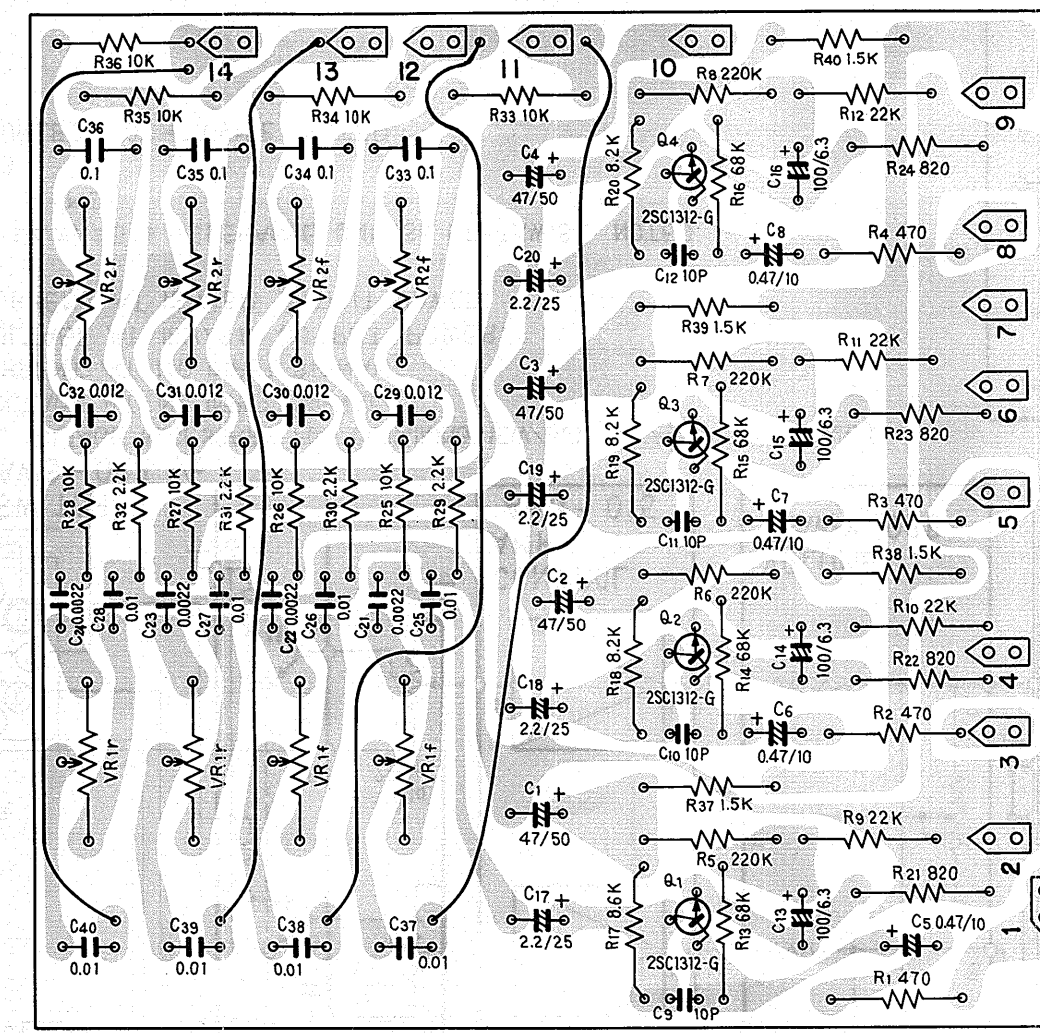
Switch ass'y AWS-023



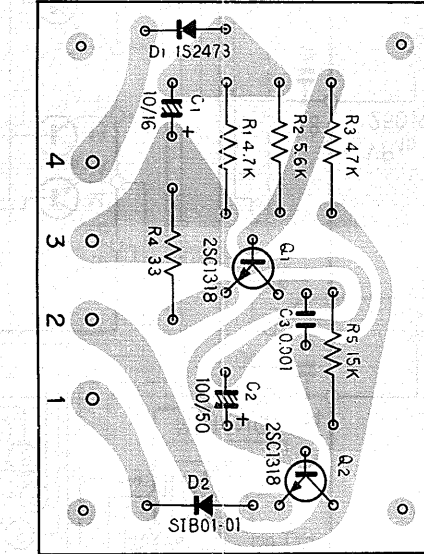
SP switch ass'y AWS-024



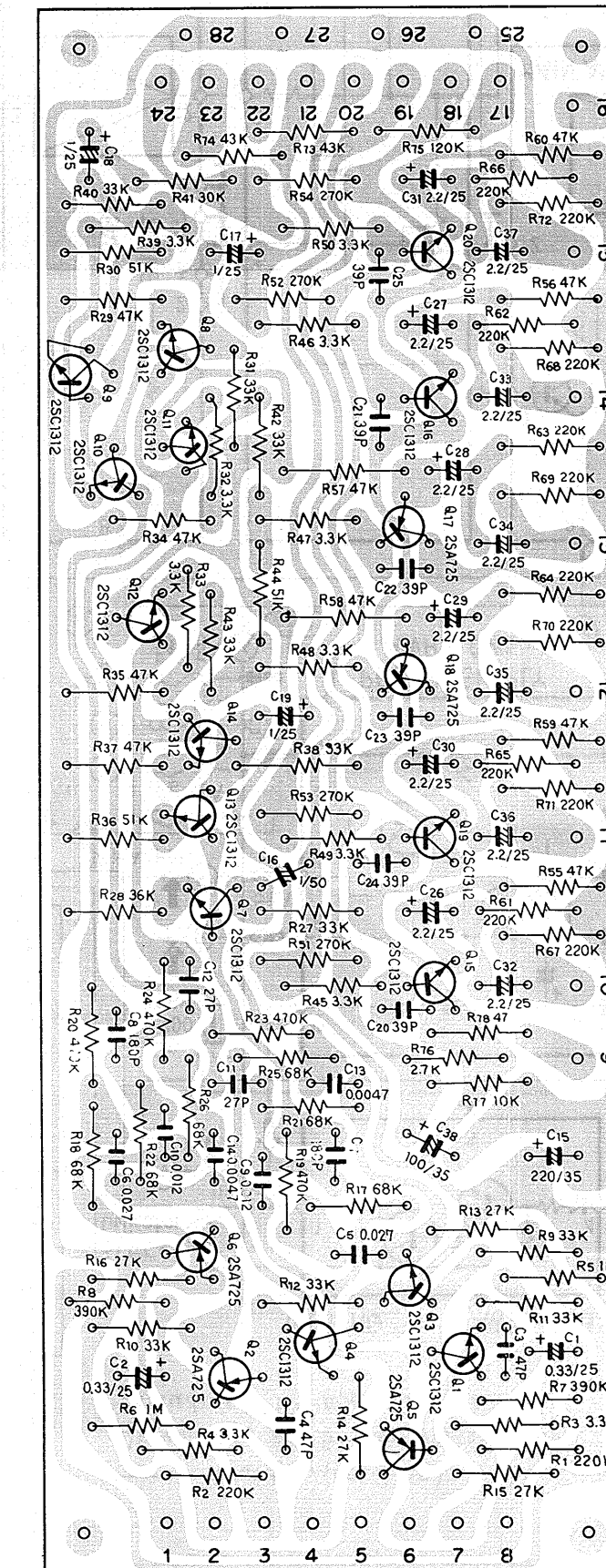
Control amp ass'y AWG-015



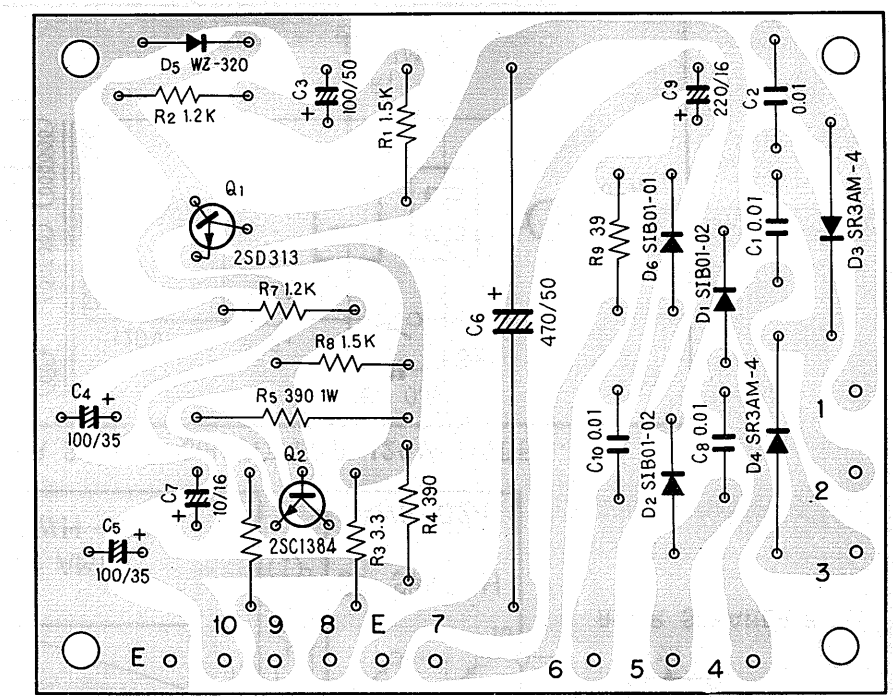
Muting ass'y AWM-033



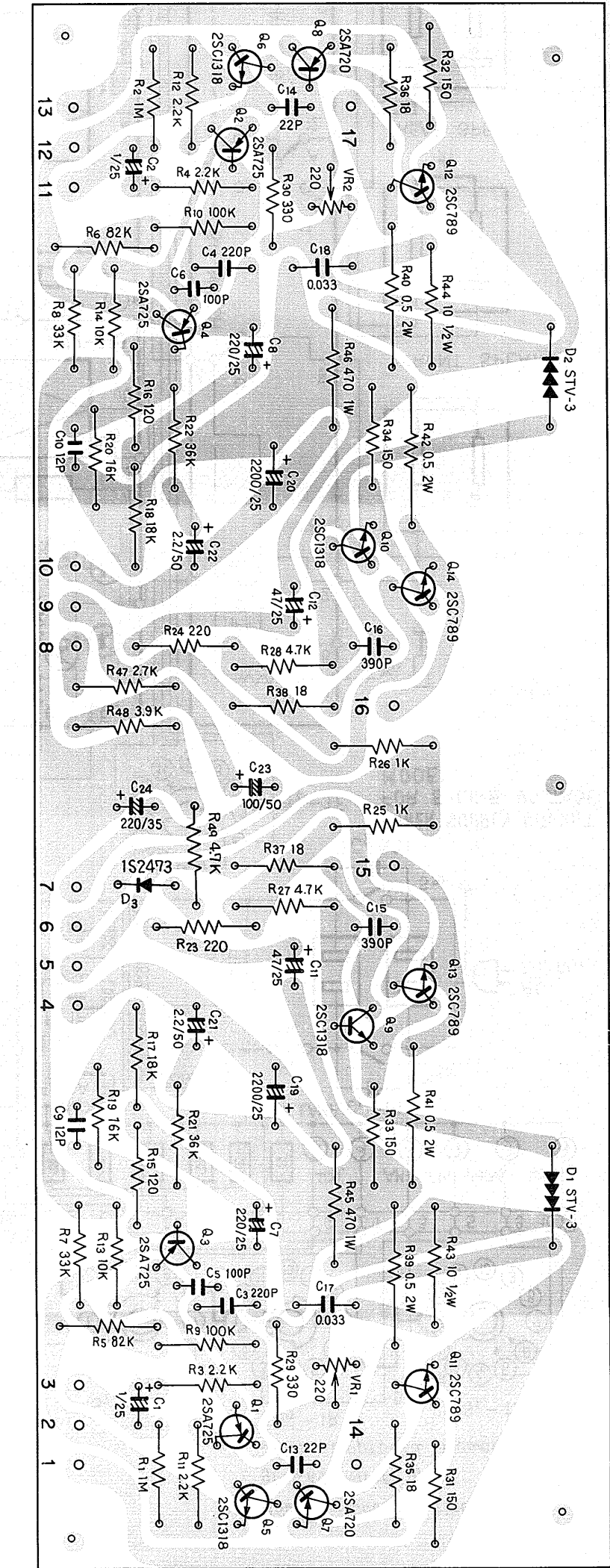
Decoder ass'y AWM-031



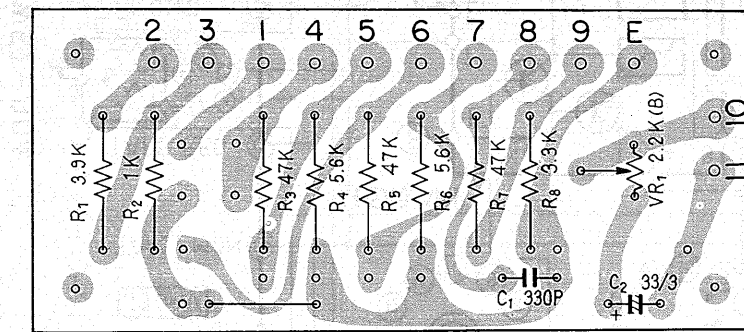
Power supply ass'y AWR-021



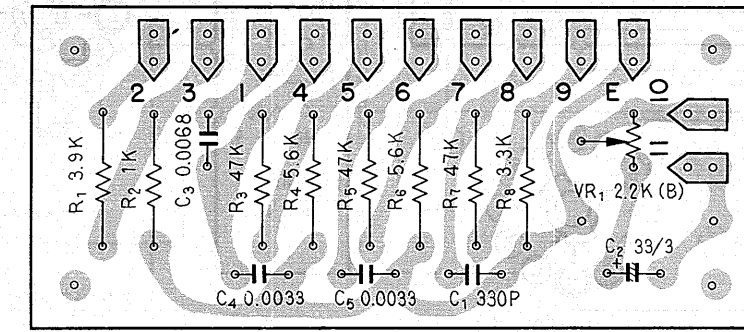
Power amp ass'y AWH-019



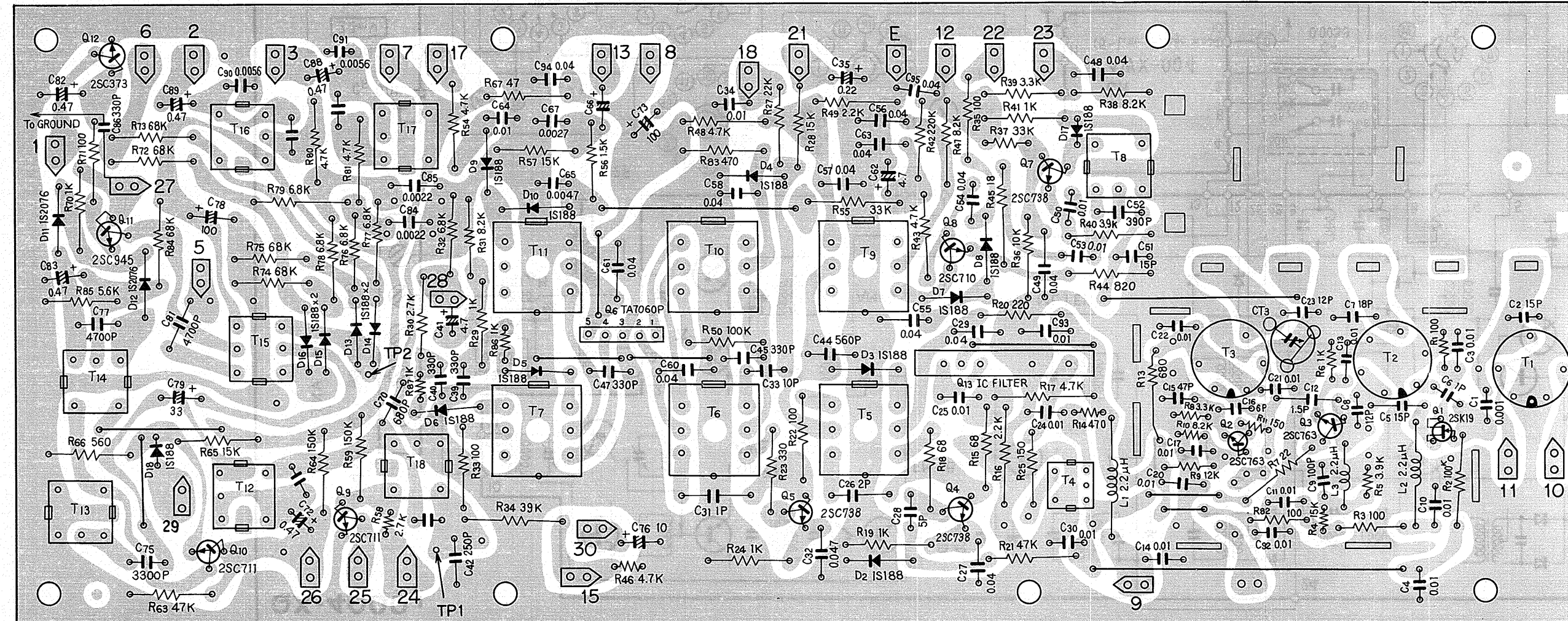
CR ass'y AWX-004 (FSAW, FW model)

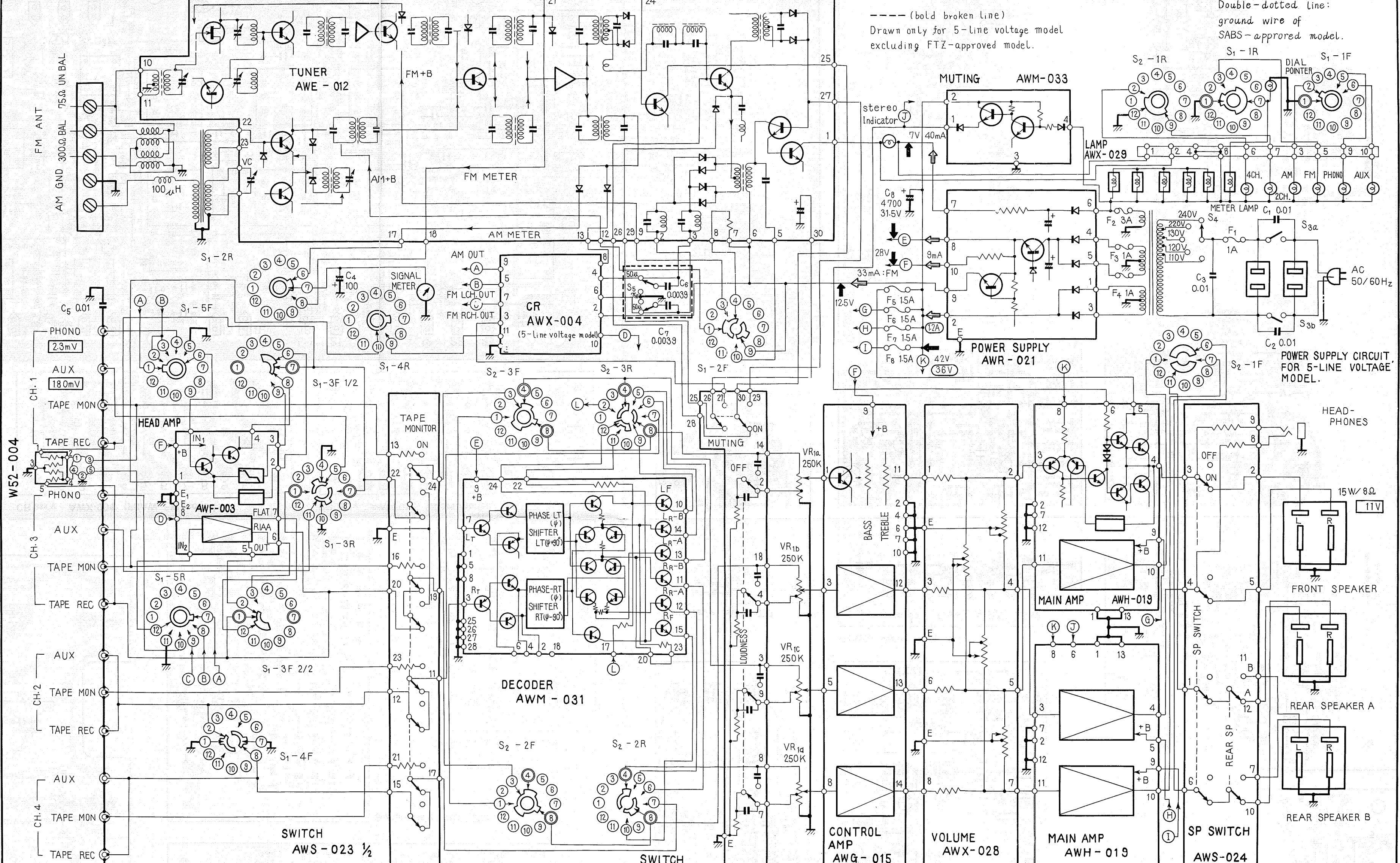


CR ass'y AWX-012 (KUW model)



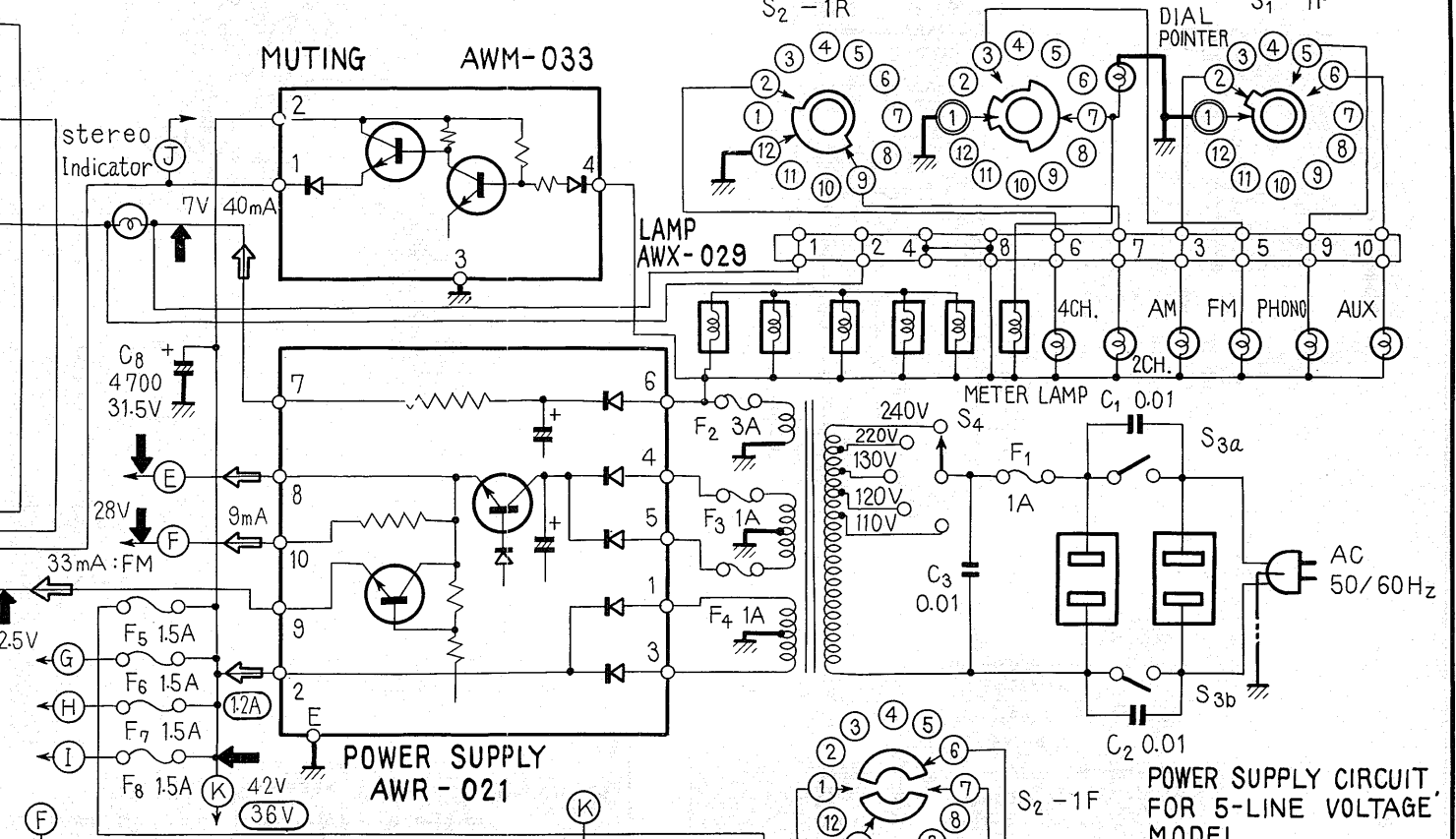
Tuner ass'y AWE-012





--- (bold broken line)
 Drawn only for 5-line voltage model
 excluding FTZ-approved model.

Double-dotted line:
 ground wire of
 SABS-approved model.



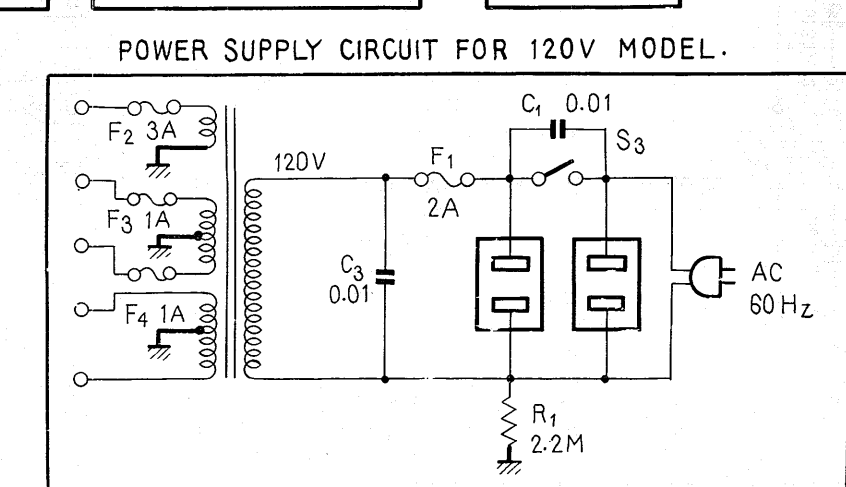
- | | | |
|---|---|---|
| <p>S₁, INPUT SELECTOR</p> <ol style="list-style-type: none"> 1. AM 2. FM MONO 3. FM AUTO 4. PHONO 5. AUX | <p>S₂, MODE SELECTOR</p> <ol style="list-style-type: none"> 1. 2CH STEREO 2. MATRIX REGULAR 3. MATRIX SQ 4. DISCRETE <p>4CH. STEREO</p> | <p>S₄, LINE VOLTAGE SELECTOR</p> <p>S₅, DE-EMPHASIS SWITCH</p> <p>50µS ↔ 75µS</p> |
| <p>S₃, POWER OFF ↔ ON</p> | | |

NOTES AWS-023 1/2

- ∇: SIGNAL VOLTAGE NECESSARY FOR OBTAINING 15W/8Ω OUTPUT POWER (1KHz)
- ◀V: DC VOLTAGE AT NO INPUT SIGNAL.
- A: DC CURRENT AT NO INPUT SIGNAL.
- ∇V: DC VOLTAGE AT 15W/8Ω OUTPUT POWER.
- ∇A: DC CURRENT AT 15W/8Ω OUTPUT POWER.

RESISTORS
 IN OHM, 1/4W, ±5% TOLERANCE UNLESS OTHERWISE NOTED.
 K: KΩ, M: MΩ.

CAPACITORS
 IN µF UNLESS OTHERWISE NOTED.
 P: pF.

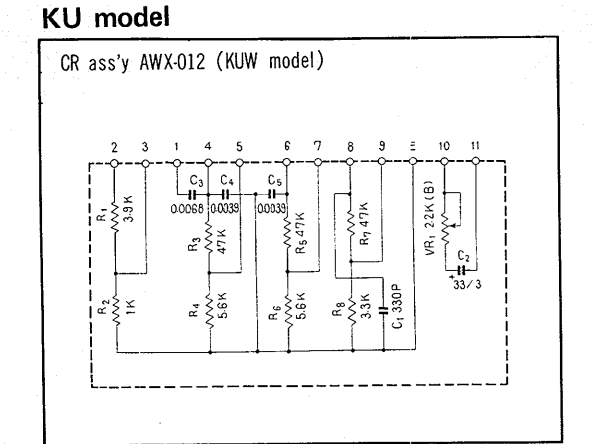
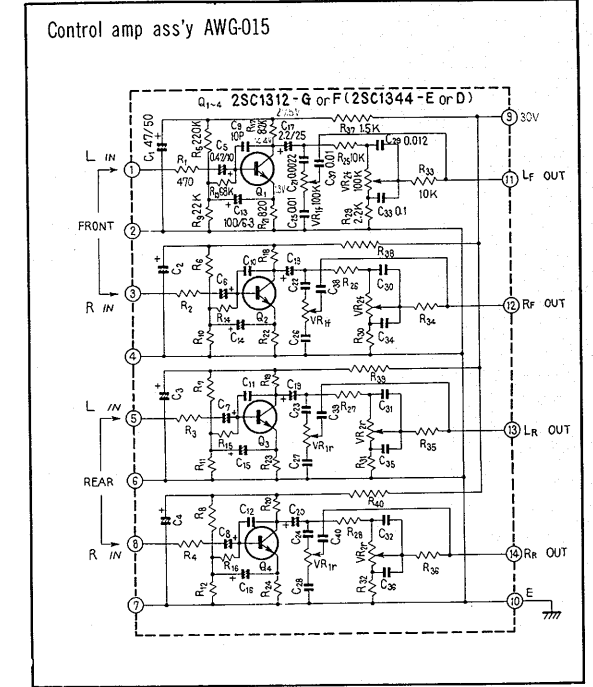
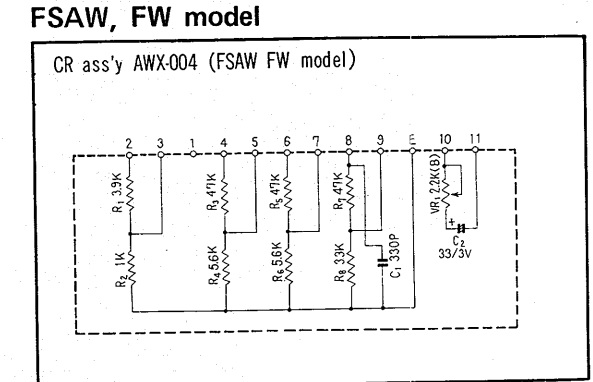
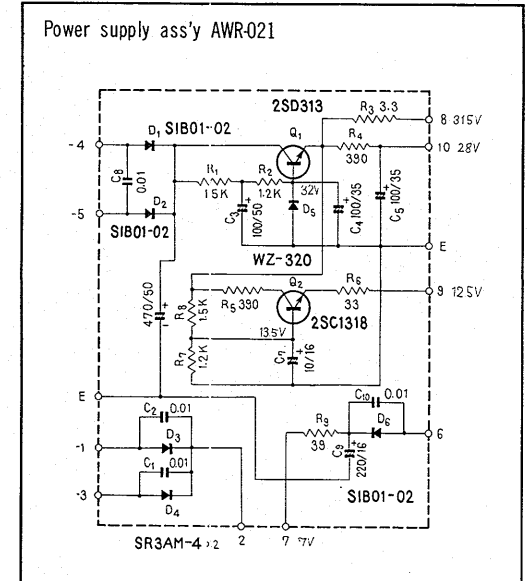
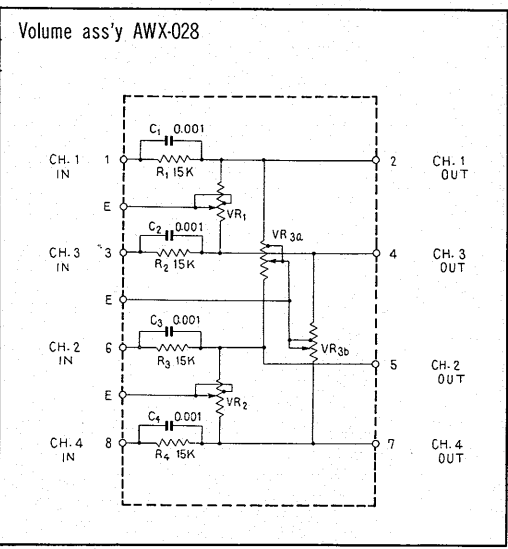
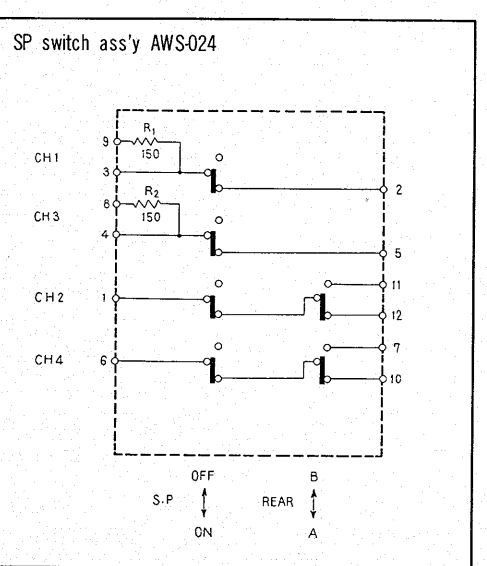
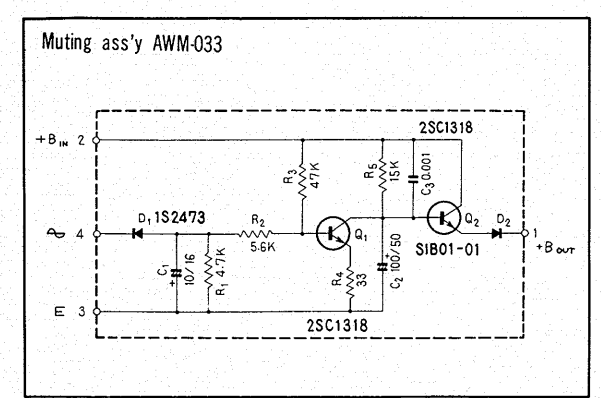
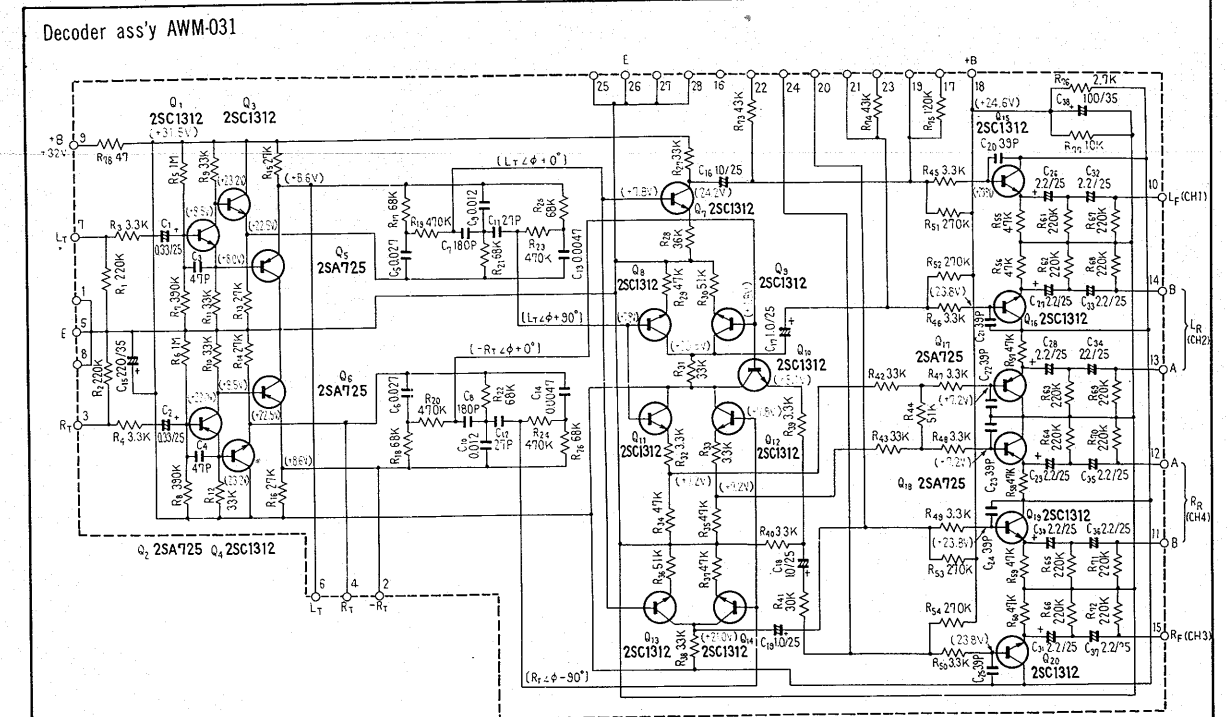
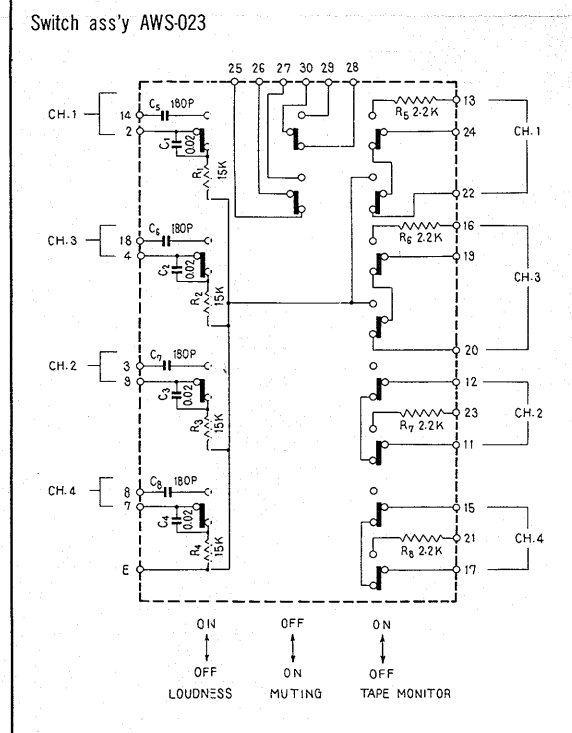
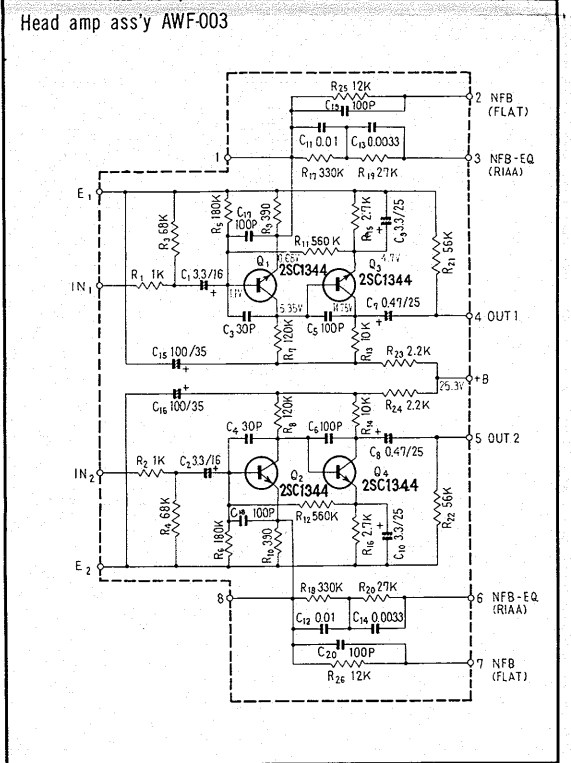
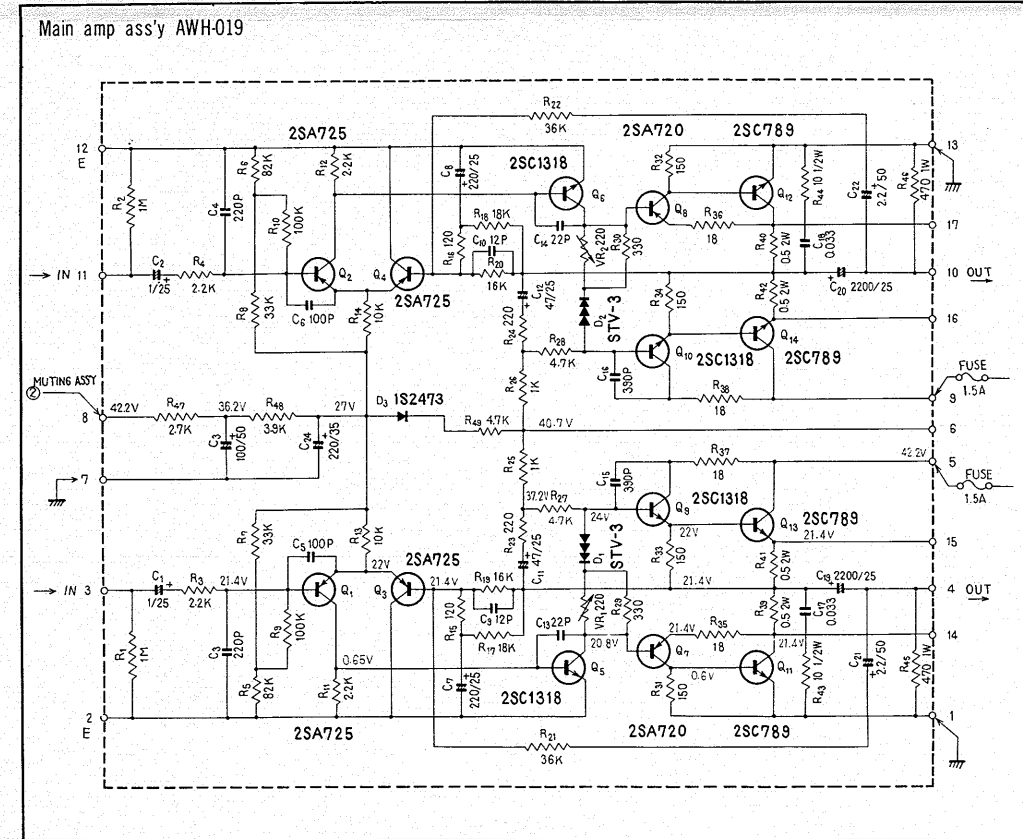
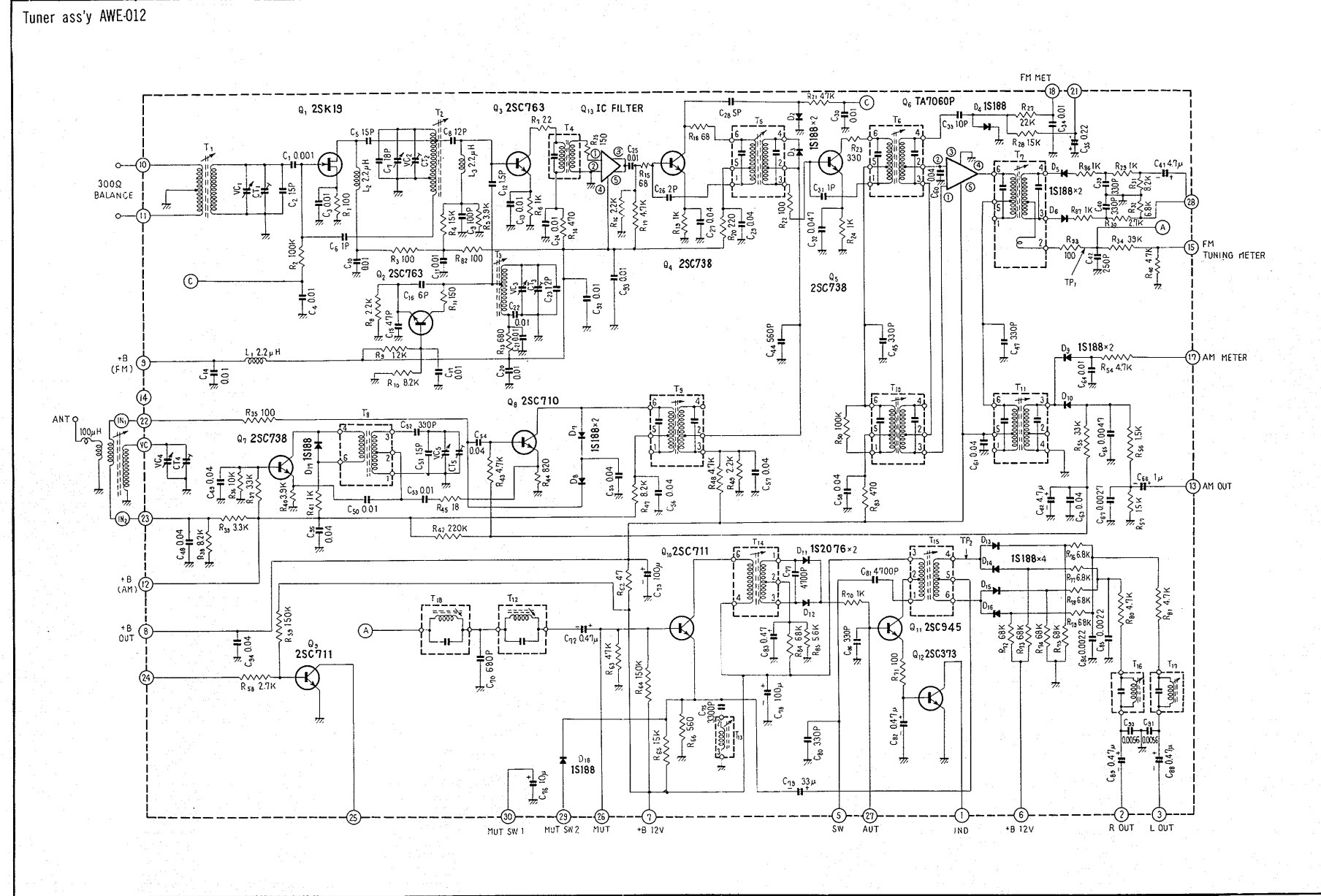
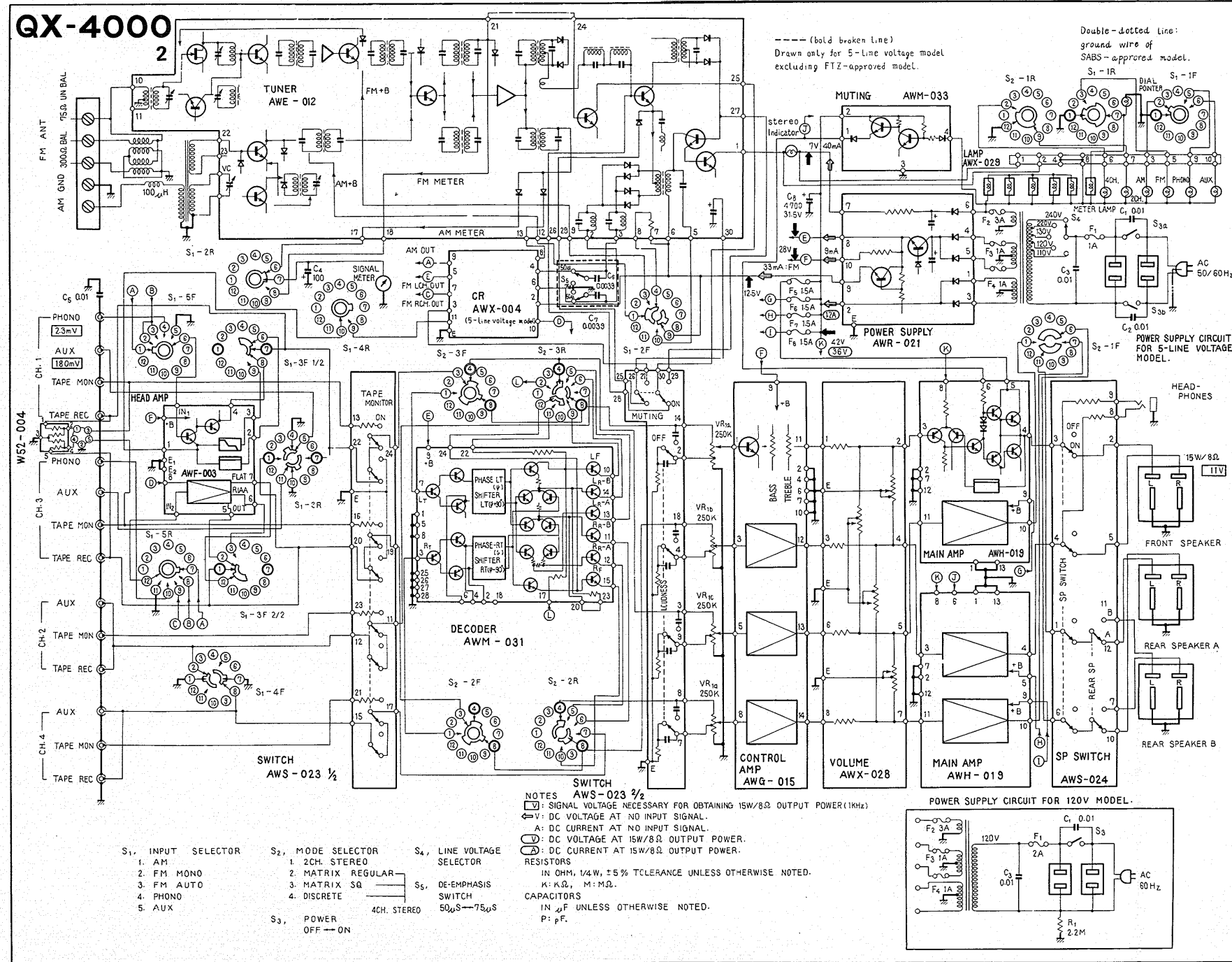


15W/8Ω
 11V

FRONT SPEAKER

REAR SPEAKER A

REAR SPEAKER B





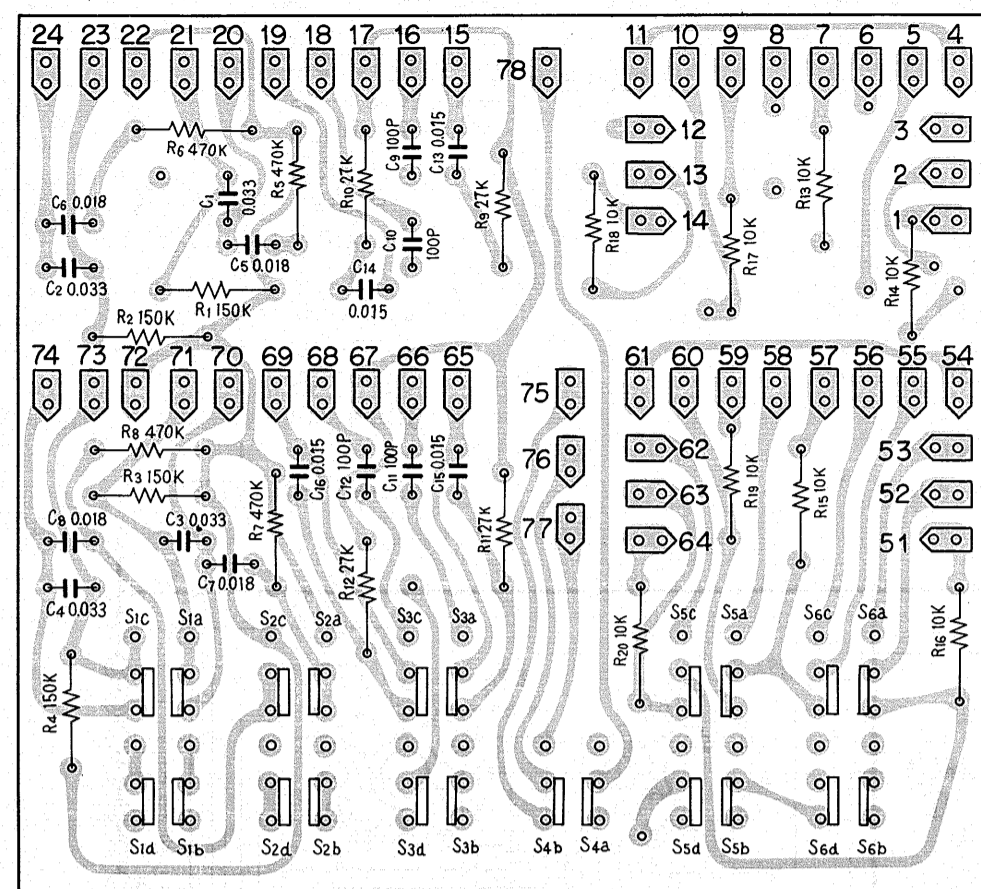
X-800A

QUADRAPHONIC RECEIVER

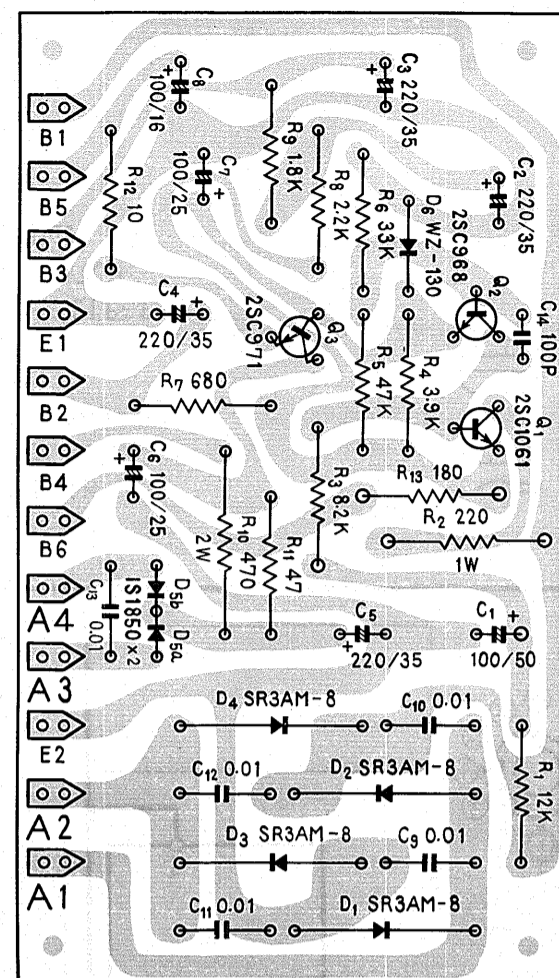
FSAW FW KW

26

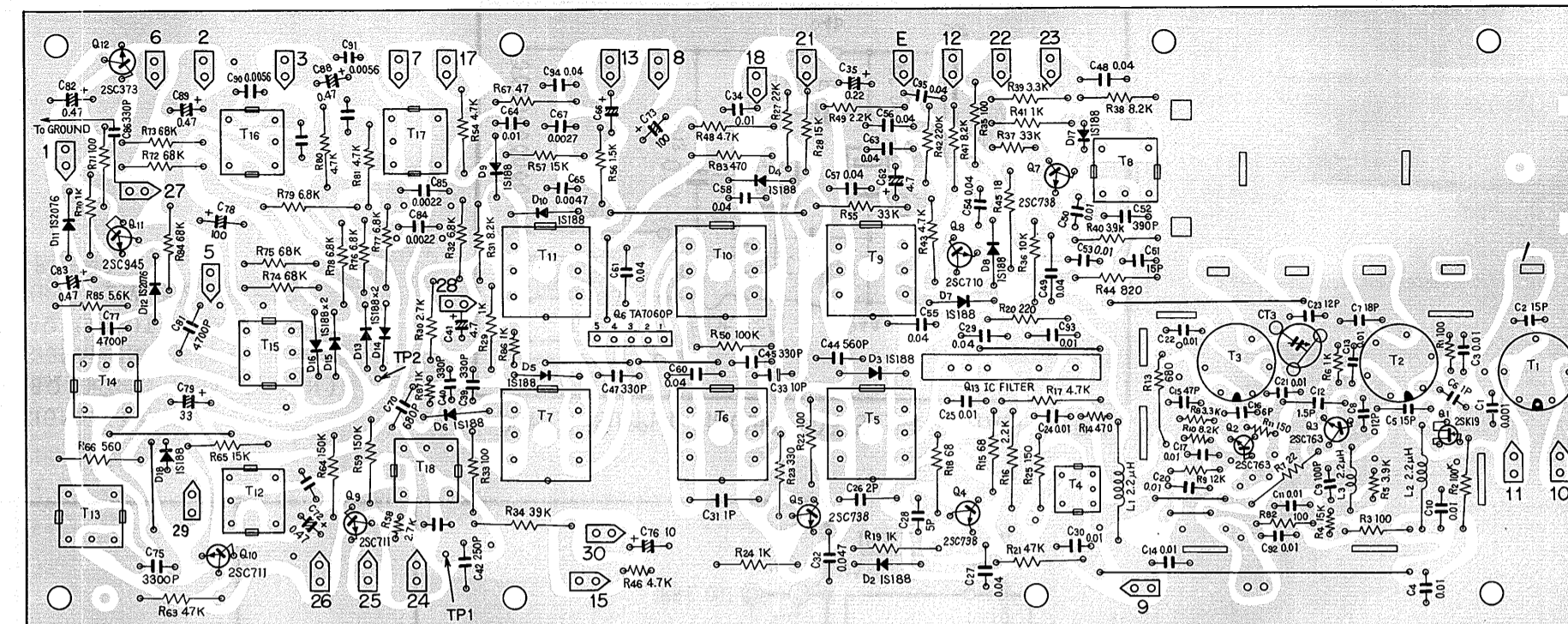
Switch ass'y AWS-004



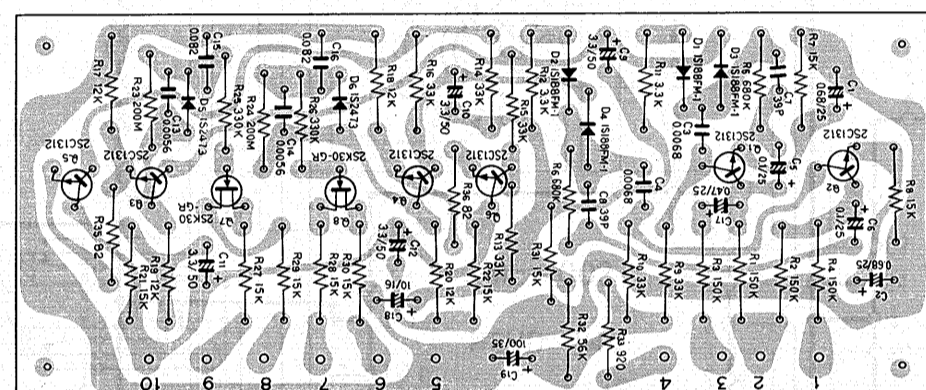
Power supply ass'y AWR-004



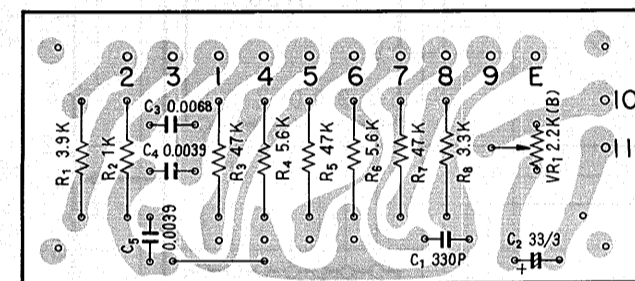
Tuner ass'y AWE-012 (FSAW model)



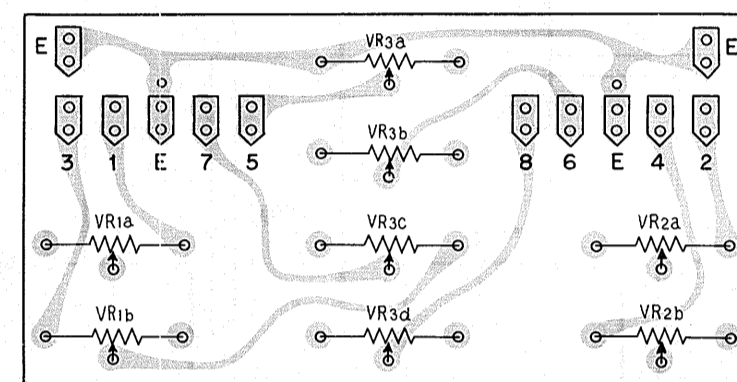
Logic ass'y AWM-032



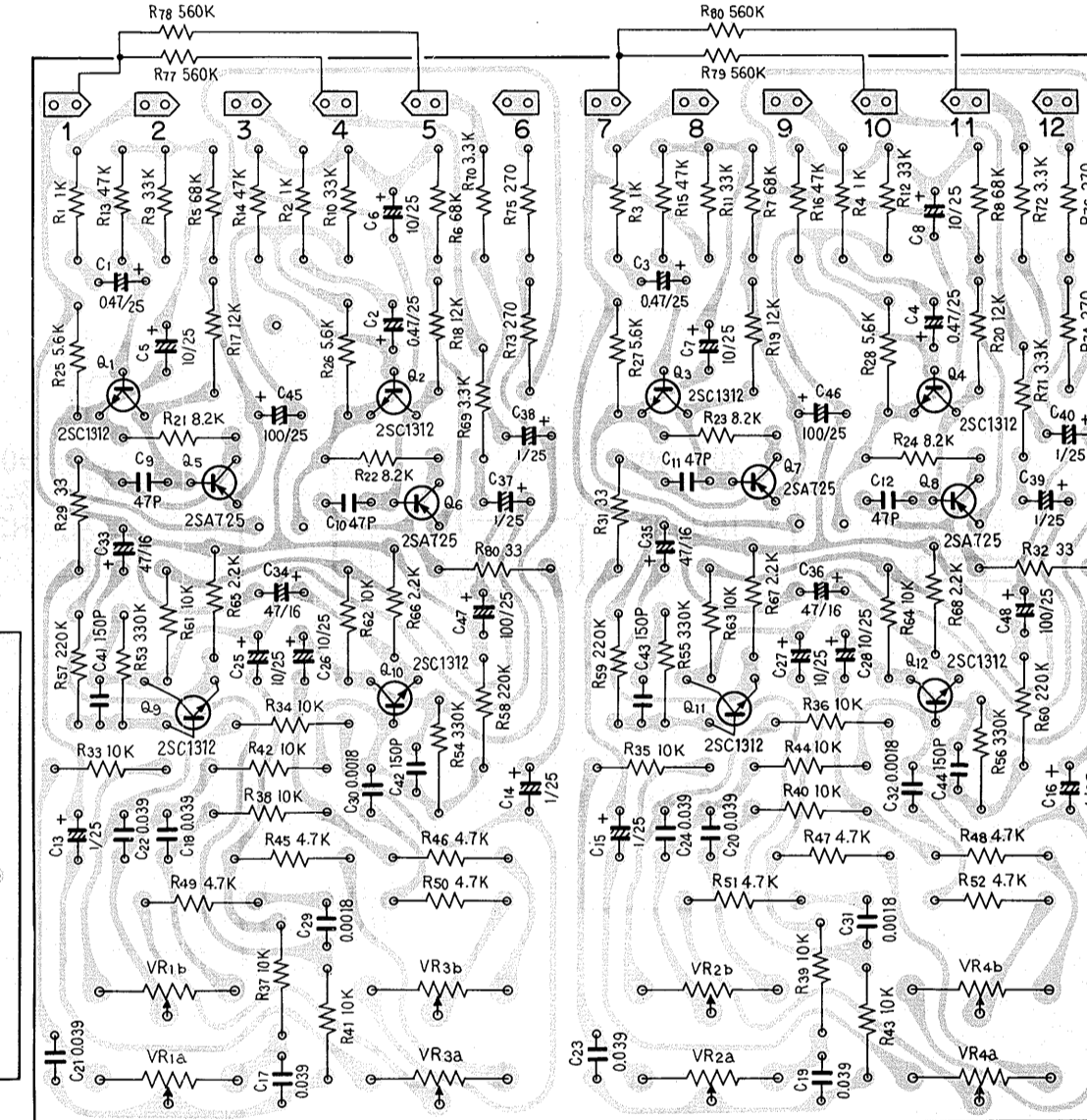
CR ass'y AWX-012 (KW model)



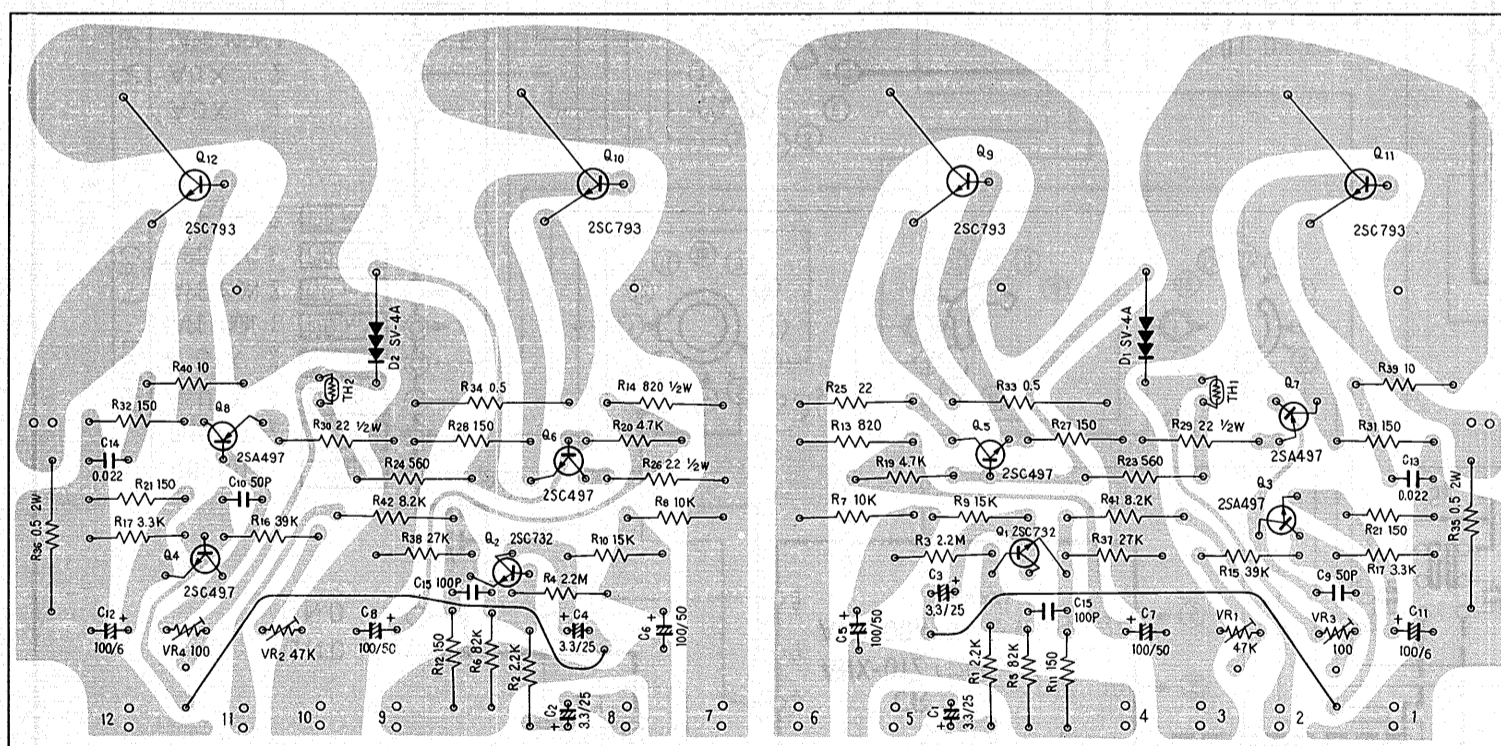
VR ass'y AWX-002



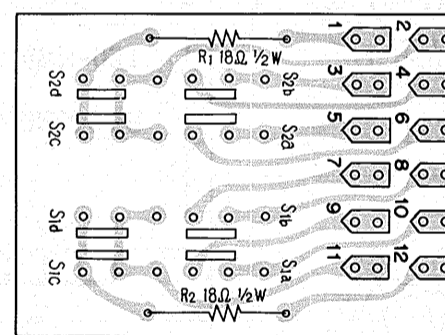
Control amp ass'y AWG-003



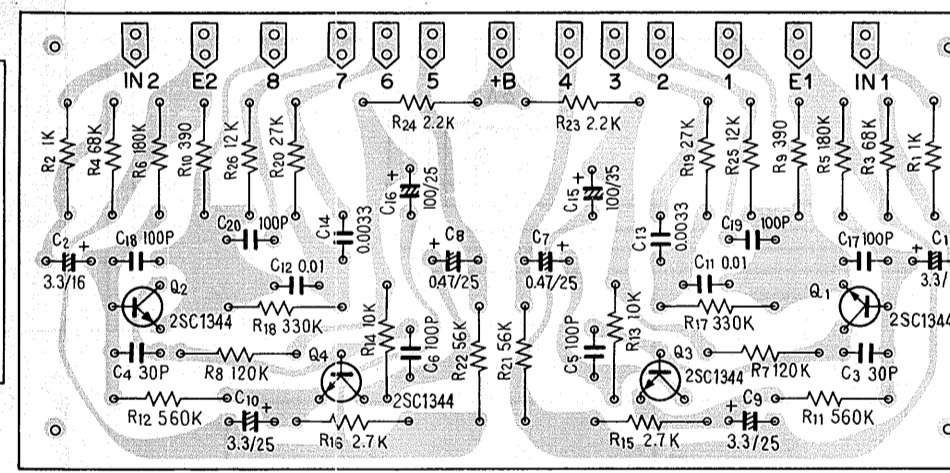
Main amp ass'y W23-007



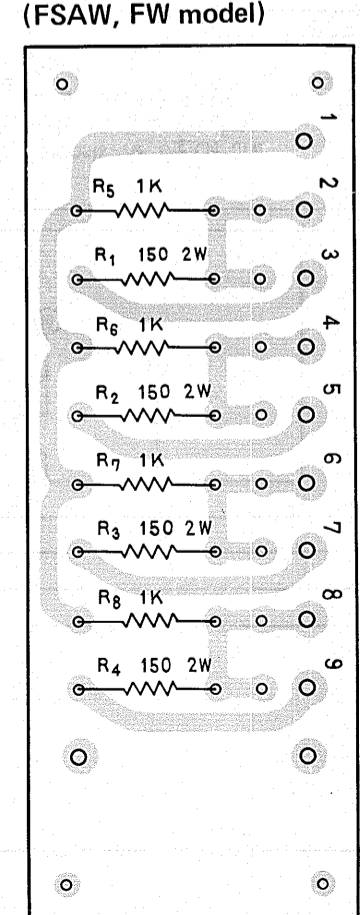
Switch ass'y AWS-005



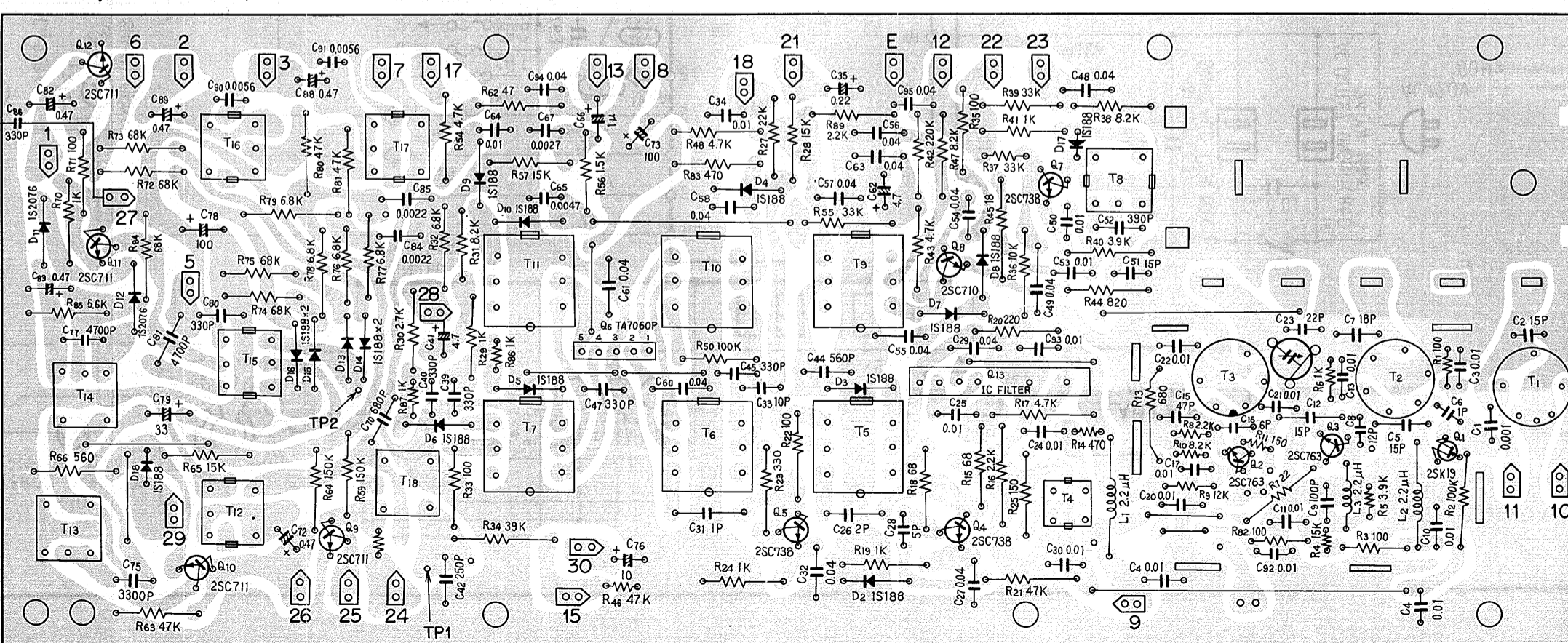
Head amp ass'y AWF-003



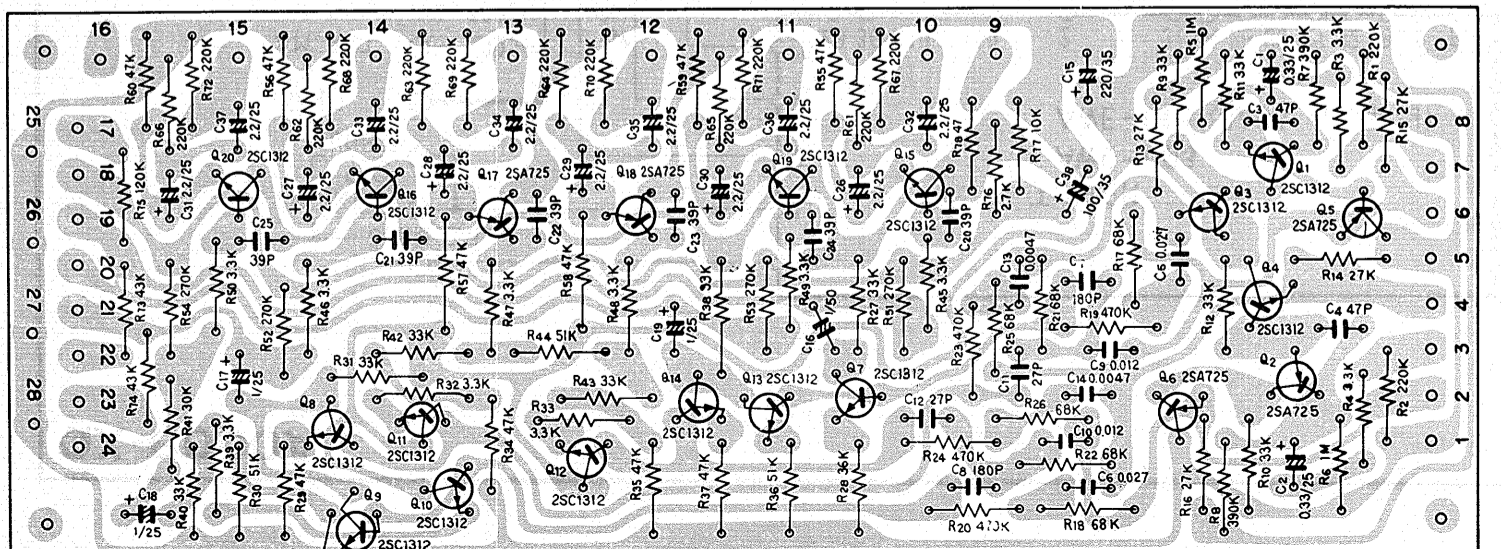
CR ass'y AWX-003 (FSAW, FW model)

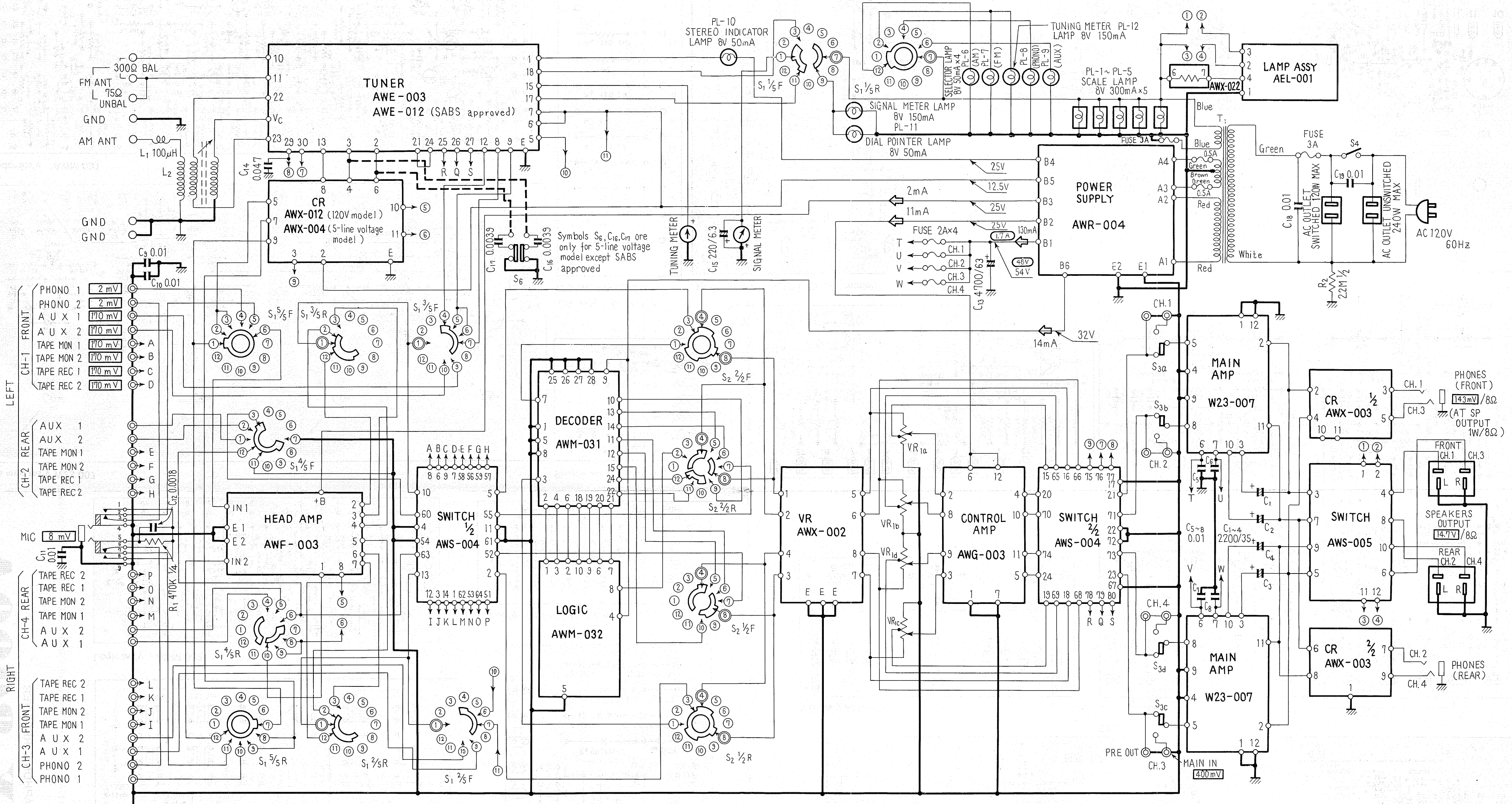


Tuner ass'y AWE-003 (FW, KW model)



Decoder ass'y AWM-031





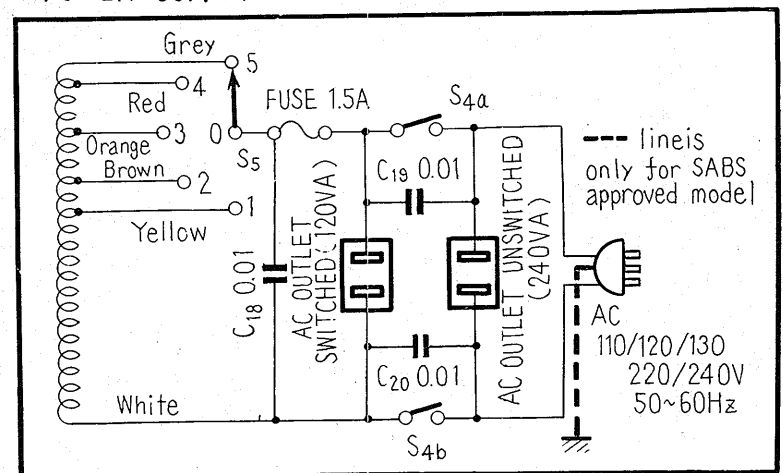
- LEFT**
- CH-1 FRONT**
- PHONO 1 2 mV
 - PHONO 2 2 mV
 - AUX 1 170 mV
 - AUX 2 170 mV
 - TAPE MON 1 170 mV
 - TAPE MON 2 170 mV
 - TAPE REC 1 170 mV
 - TAPE REC 2 170 mV
- CH-2 REAR**
- AUX 1
 - AUX 2
 - TAPE MON 1
 - TAPE MON 2
 - TAPE REC 1
 - TAPE REC 2
- CH-4 REAR**
- TAPE REC 2
 - TAPE REC 1
 - TAPE MON 2
 - TAPE MON 1
 - AUX 2
 - AUX 1
- RIGHT**
- CH-3 FRONT**
- TAPE REC 2
 - TAPE REC 1
 - TAPE MON 2
 - TAPE MON 1
 - AUX 2
 - AUX 1
 - PHONO 2
 - PHONO 1

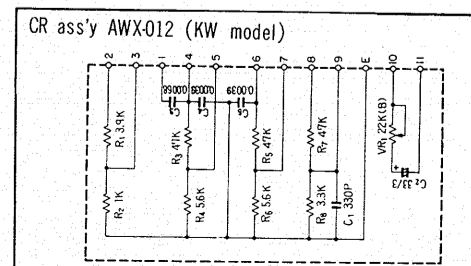
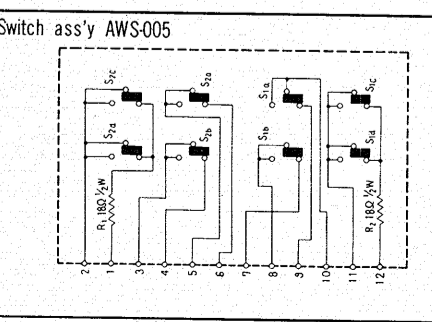
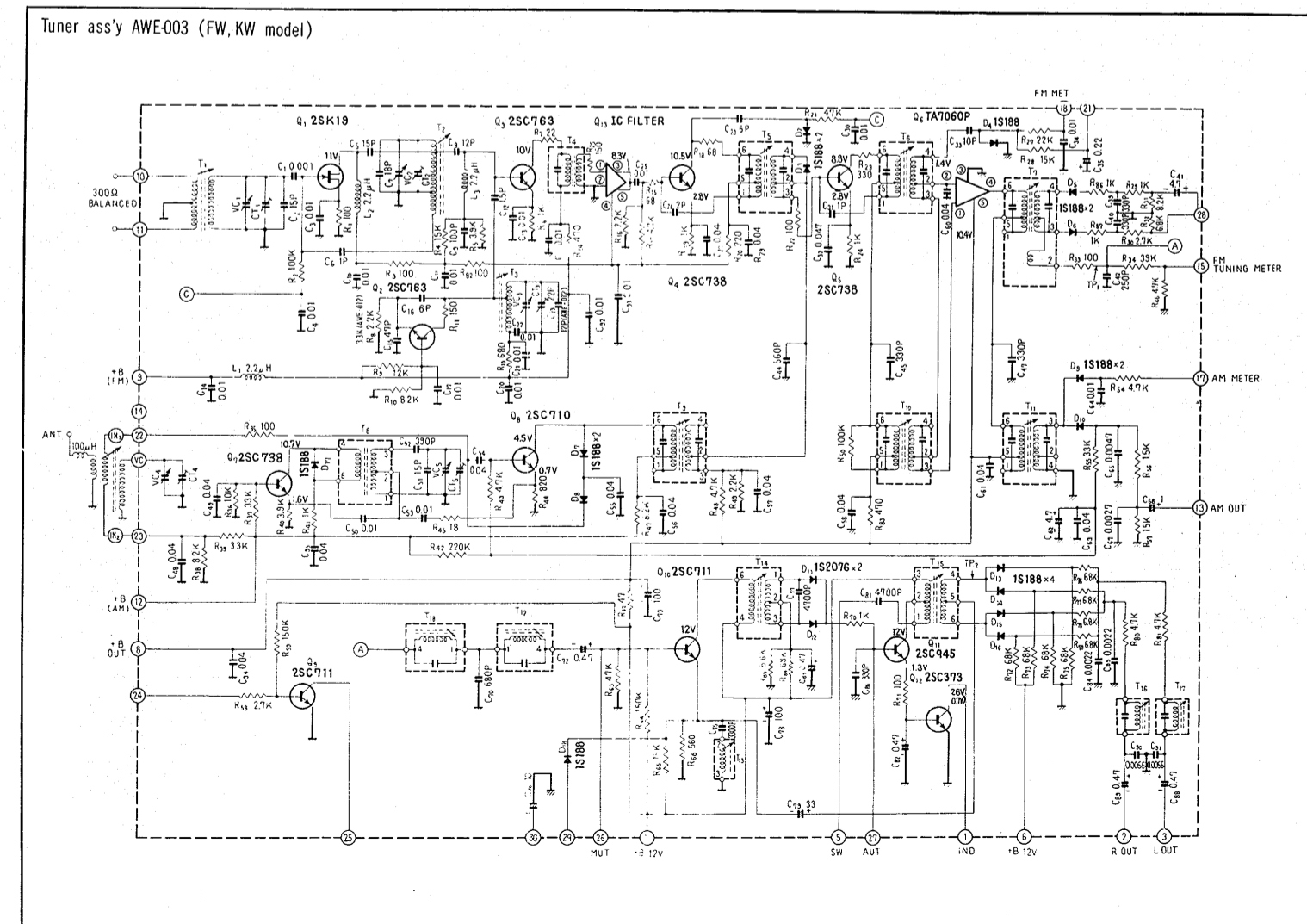
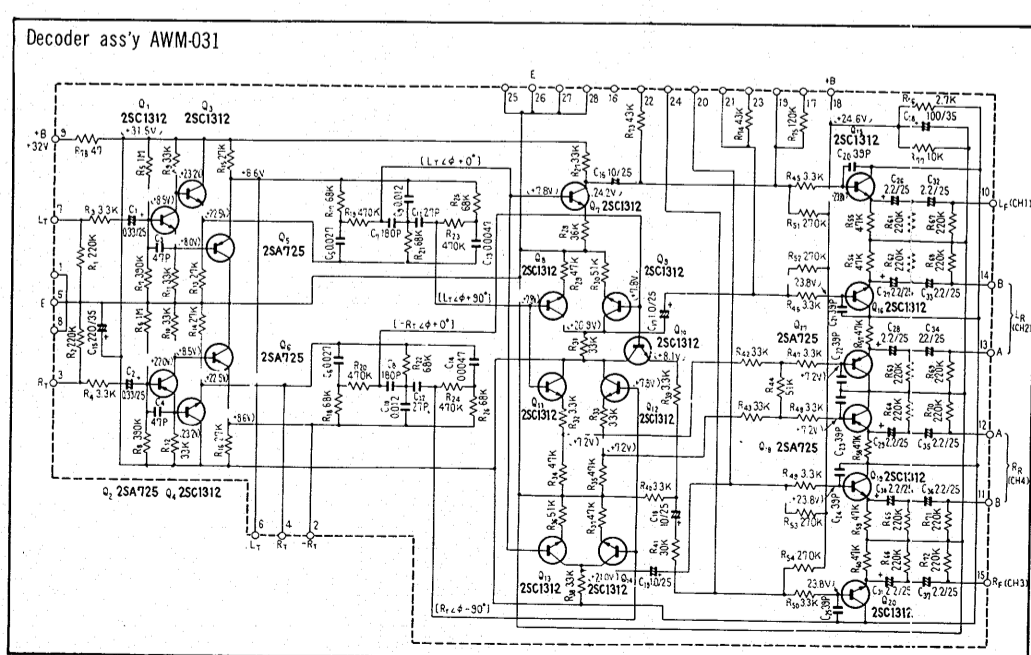
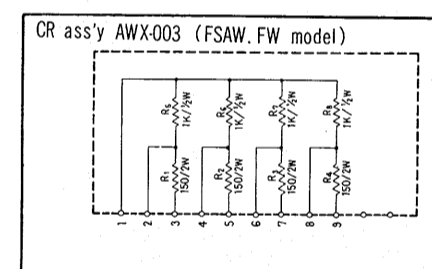
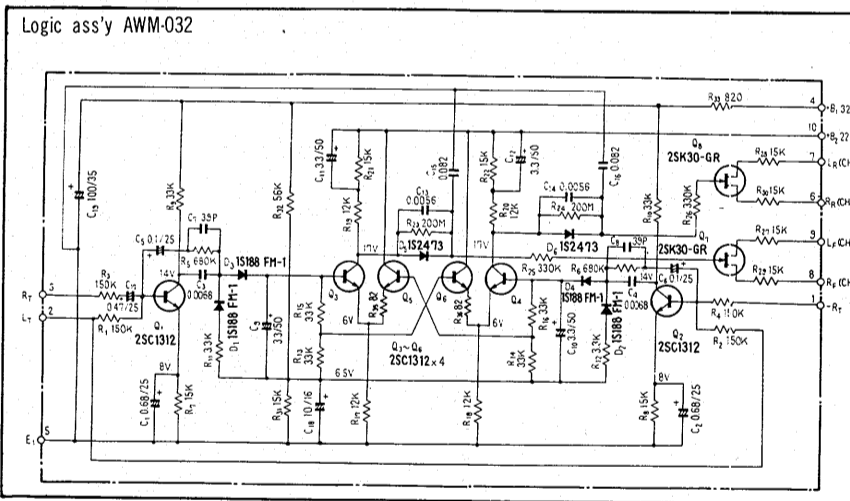
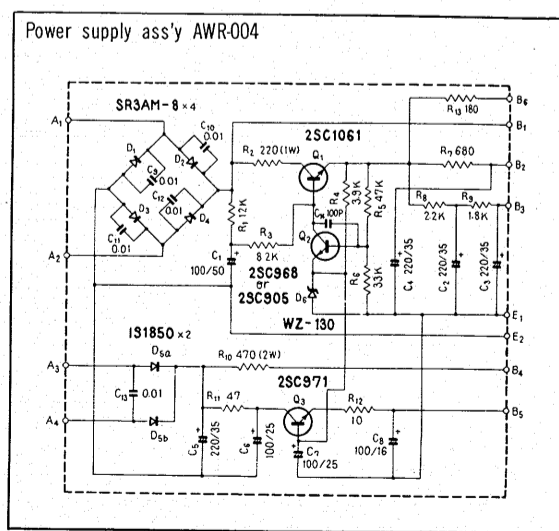
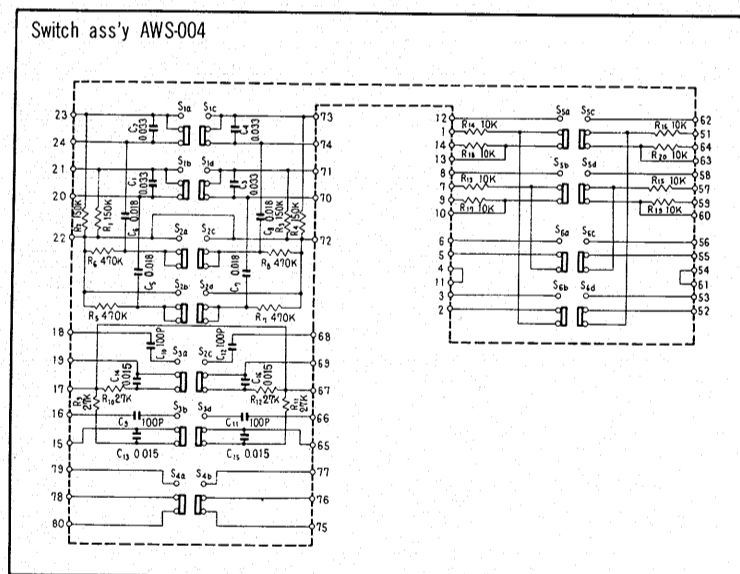
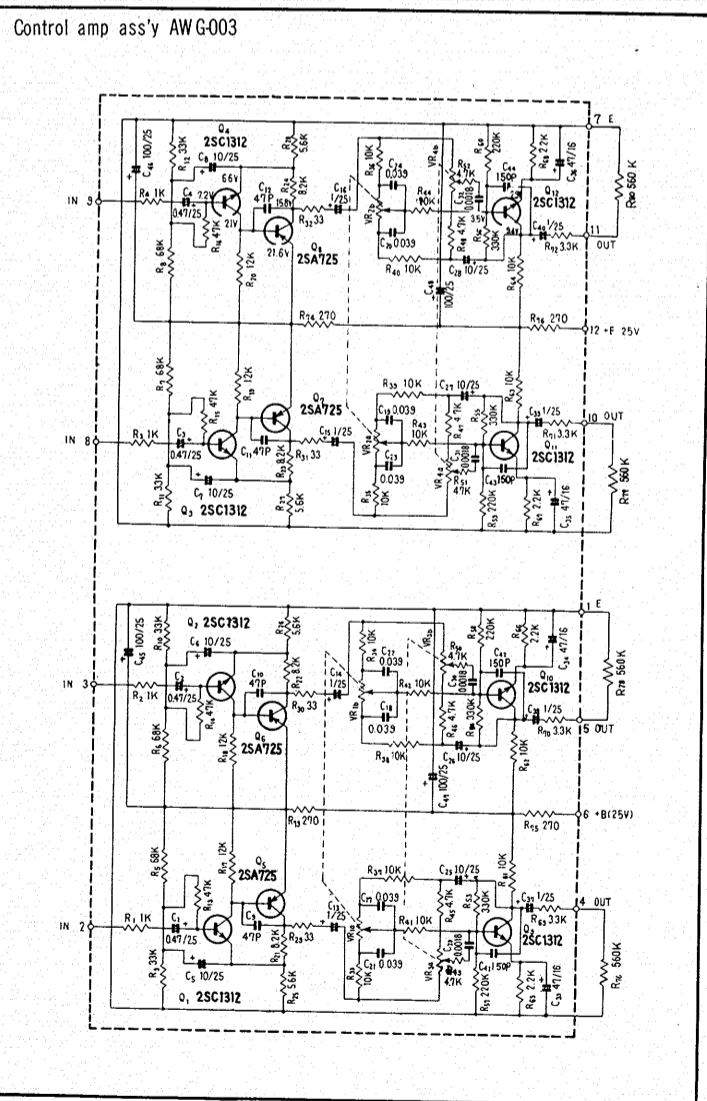
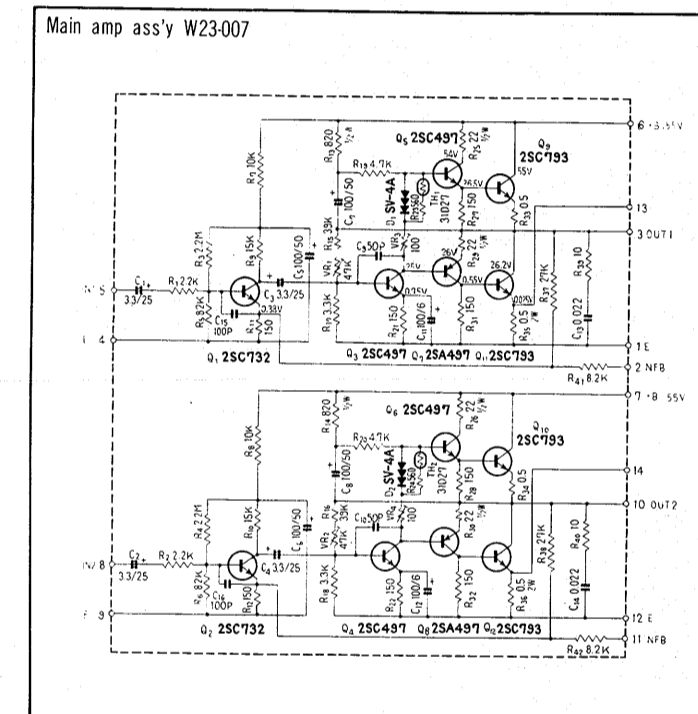
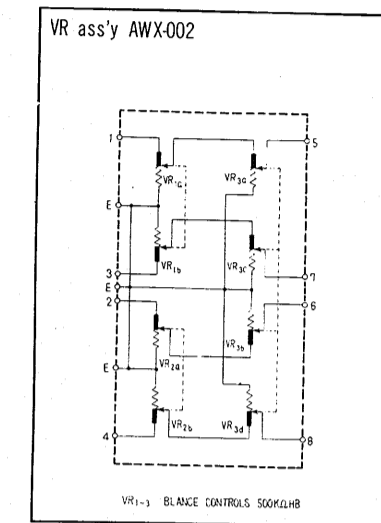
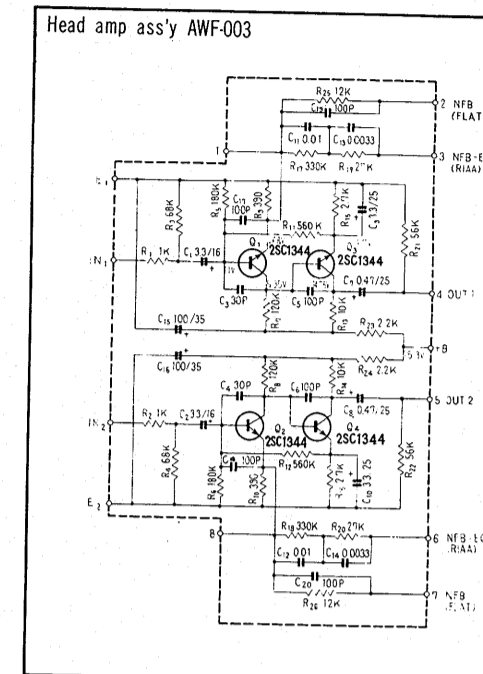
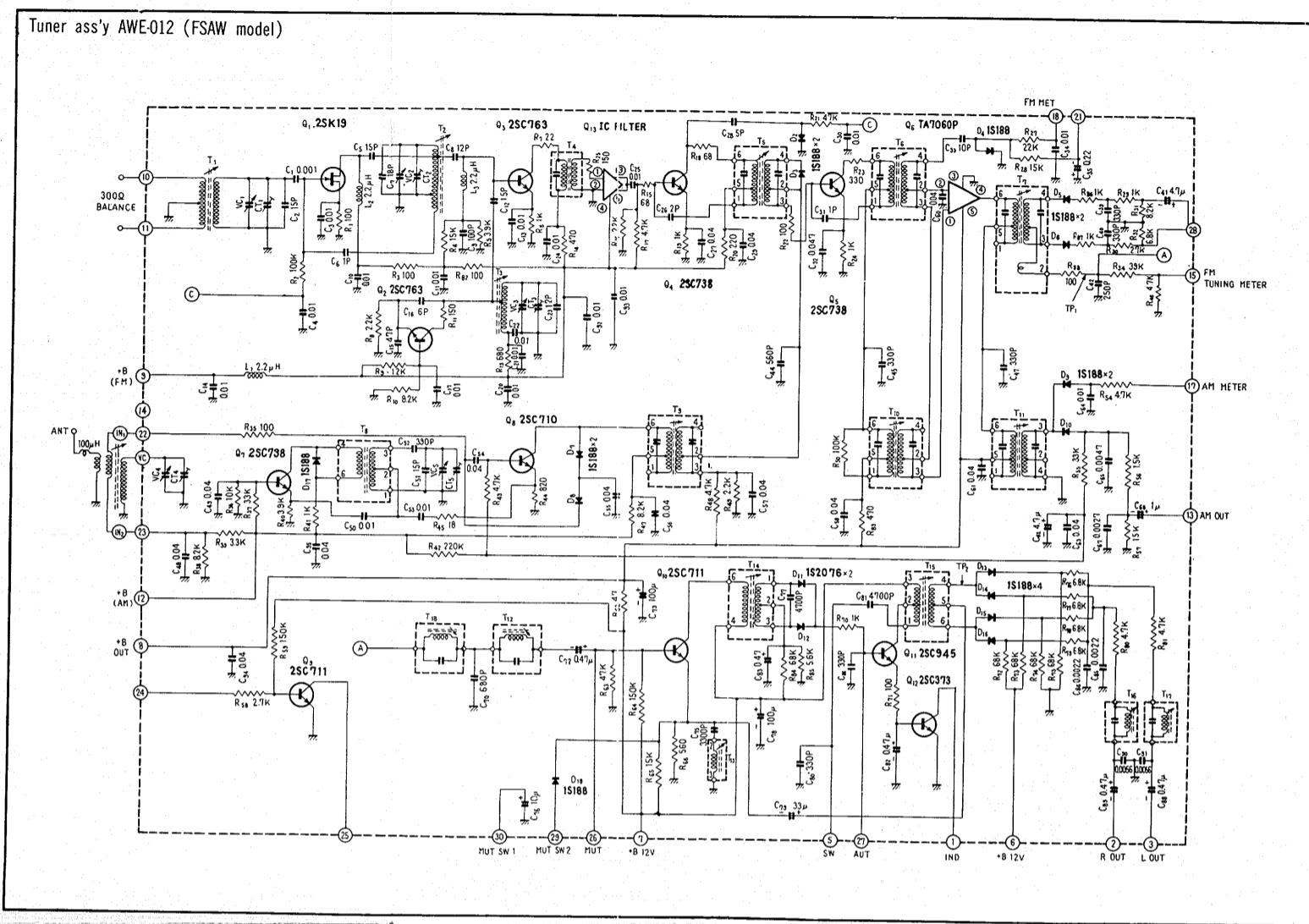
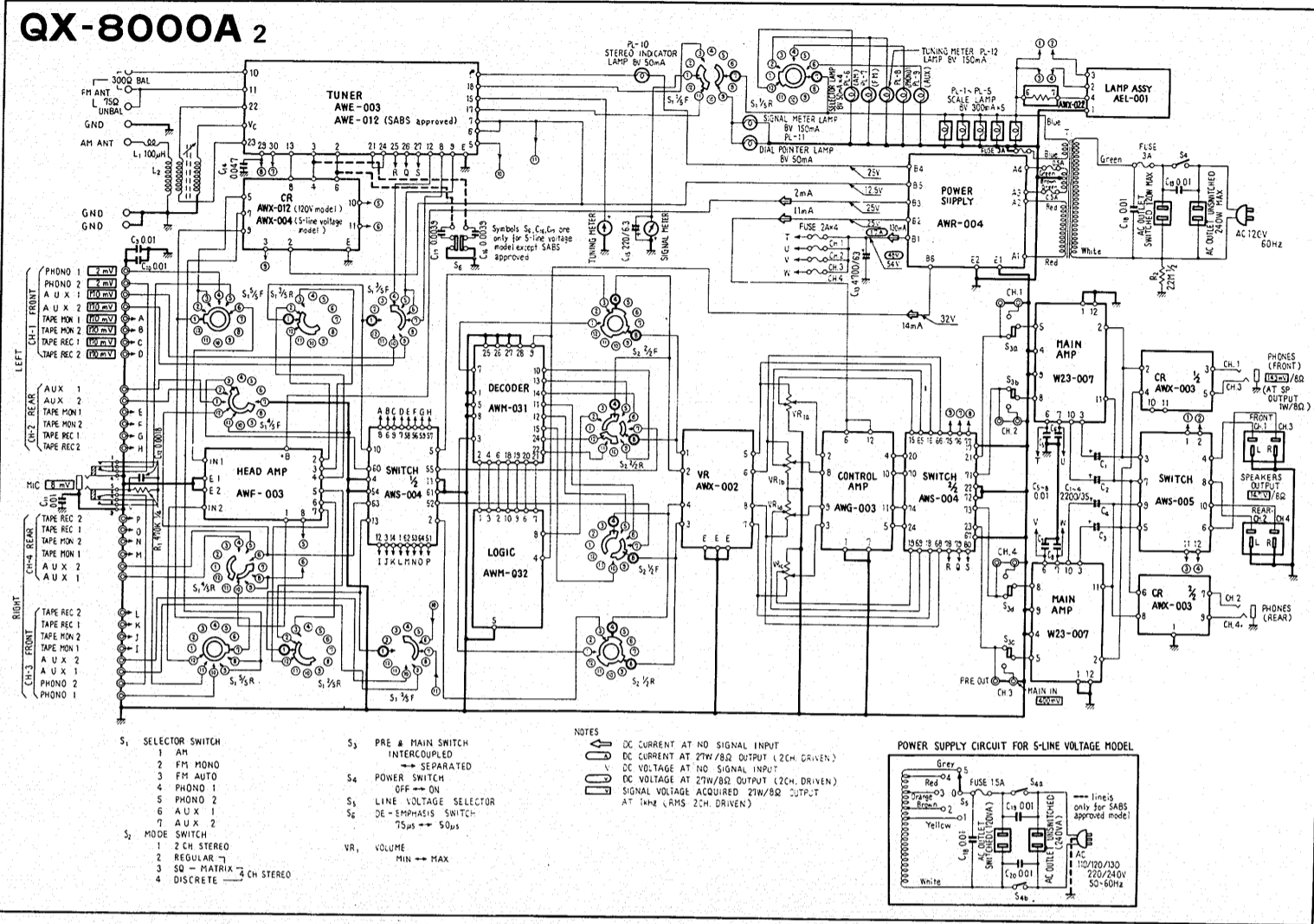
- S₁ SELECTOR SWITCH**
- 1 AM
 - 2 FM MONO
 - 3 FM AUTO
 - 4 PHONO 1
 - 5 PHONO 2
 - 6 AUX 1
 - 7 AUX 2
- S₂ MODE SWITCH**
- 1 2 CH STEREO
 - 2 REGULAR
 - 3 SQ - MATRIX
 - 4 DISCRETE

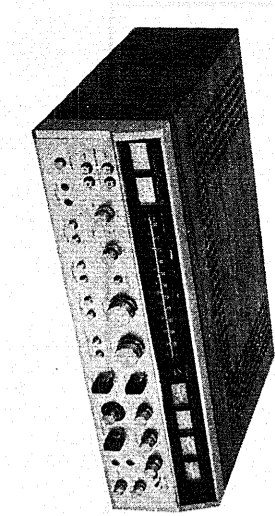
- S₃ PRE & MAIN SWITCH**
INTERCOUPLED
↔ SEPARATED
- S₄ POWER SWITCH**
OFF ↔ ON
- S₅ LINE VOLTAGE SELECTOR**
- S₆ DE-EMPHASIS SWITCH**
75μs ↔ 50μs
- VR₁ VOLUME**
MIN ↔ MAX

- NOTES**
- ← DC CURRENT AT NO SIGNAL INPUT
 - ↔ DC CURRENT AT 27W/8Ω OUTPUT (2CH. DRIVEN)
 - DC VOLTAGE AT NO SIGNAL INPUT
 - DC VOLTAGE AT 27W/8Ω OUTPUT (2CH. DRIVEN)
 - SIGNAL VOLTAGE ACQUIRED 27W/8Ω OUTPUT AT 1kHz (RMS 2CH. DRIVEN)

POWER SUPPLY CIRCUIT FOR 5-LINE VOLTAGE MODEL



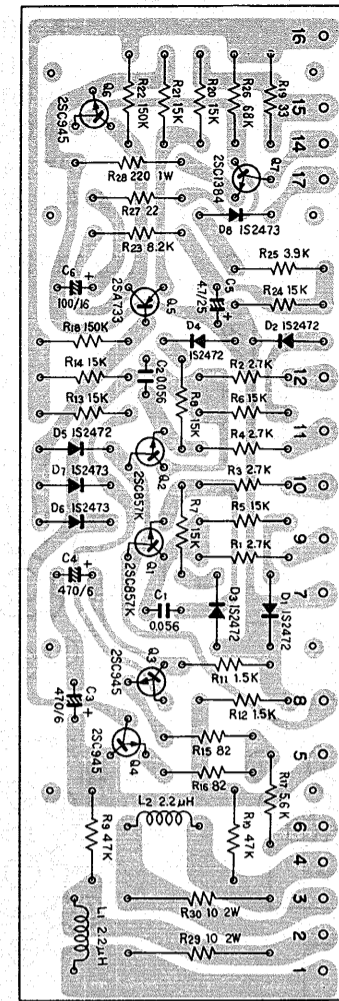




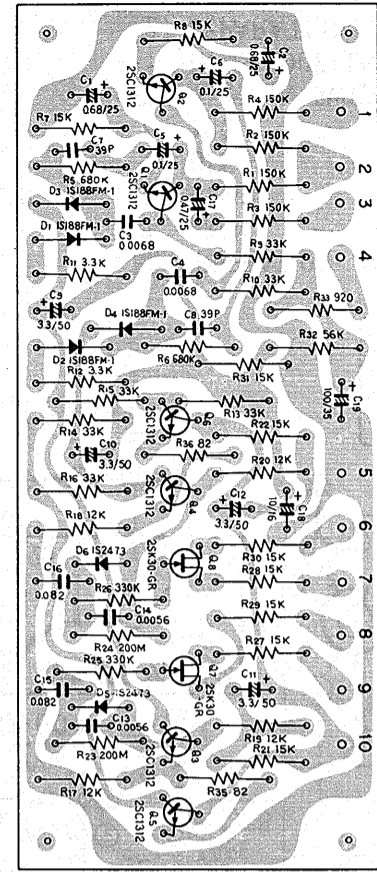
QX-9900

QUADRAPHONIC RECEIVER

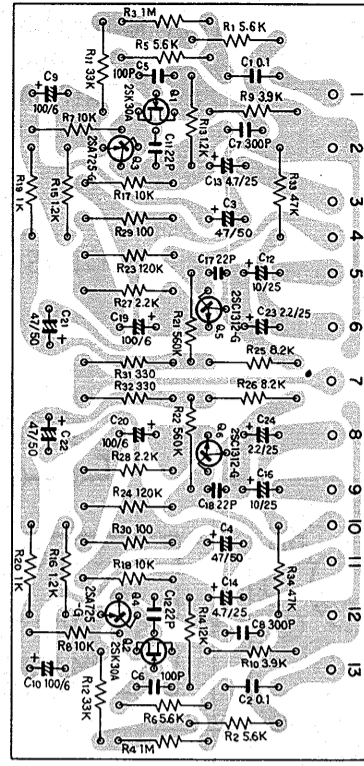
Protection ass'y AWM-028



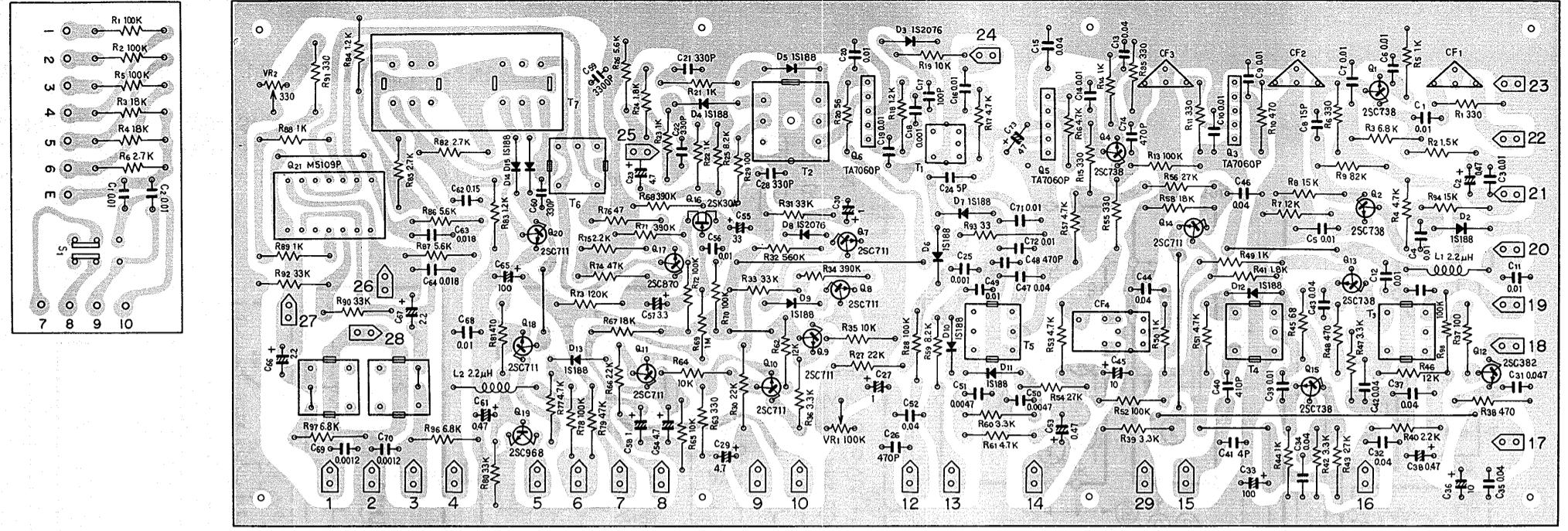
Logic ass'y AWM-032



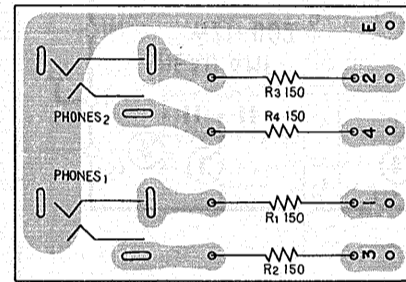
Control amp ass'y AWG-013



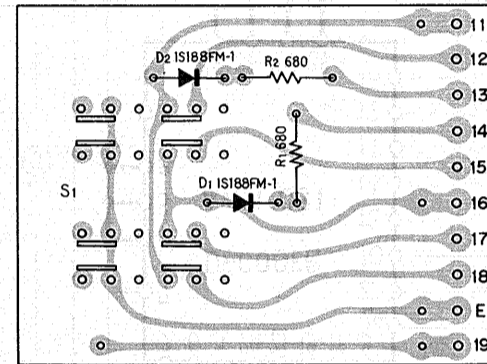
CR ass'y AWX-037 AM, FM ass'y AWE-015



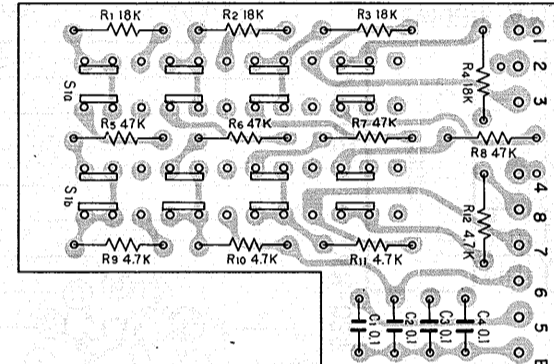
Headphone ass'y AWX-036



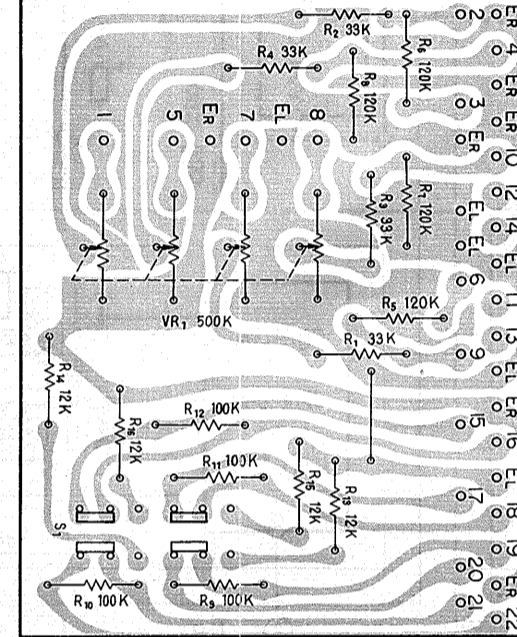
SP switch ass'y B AWS-042



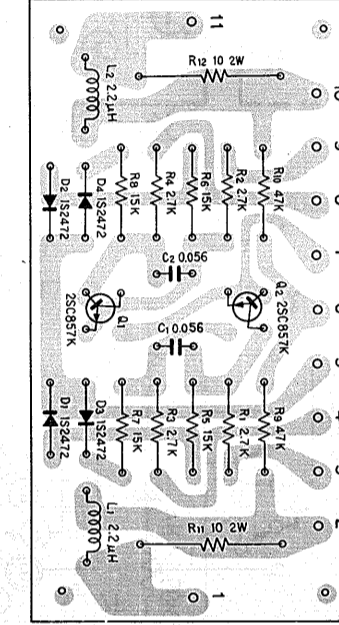
Level meter switch ass'y AWS-028



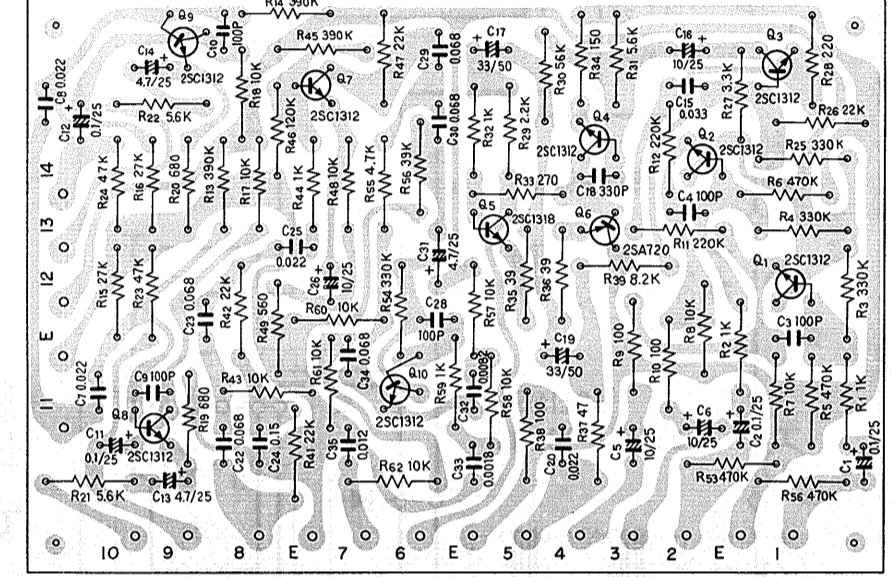
Level control ass'y AWX-034



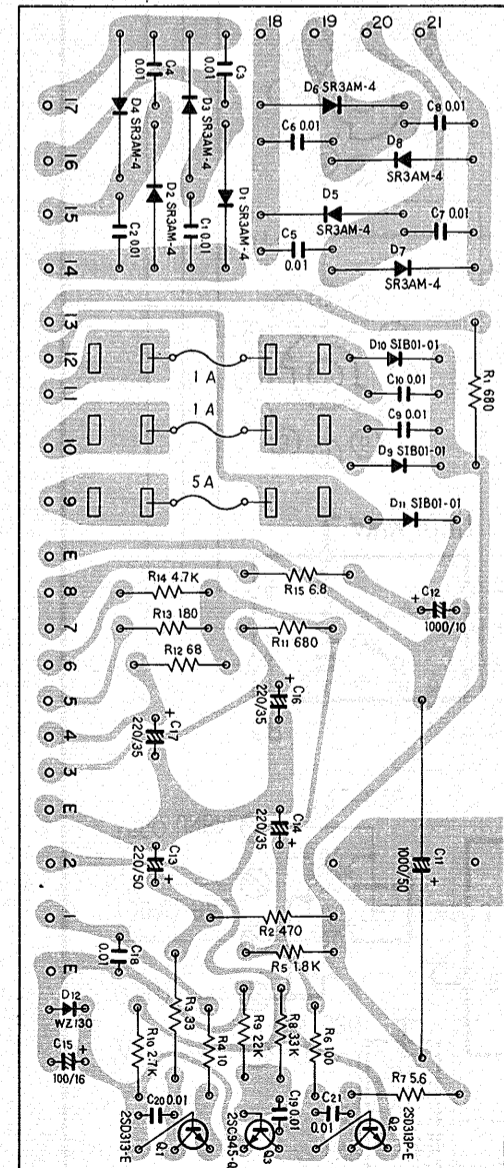
Protection ass'y AWM-029



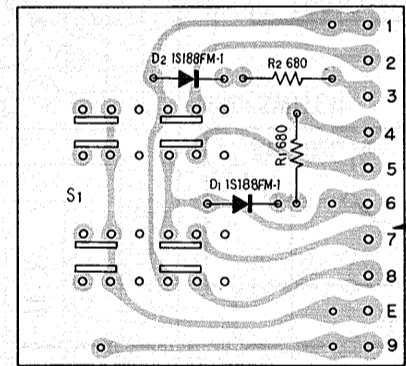
Reverbe amp ass'y AWM-036



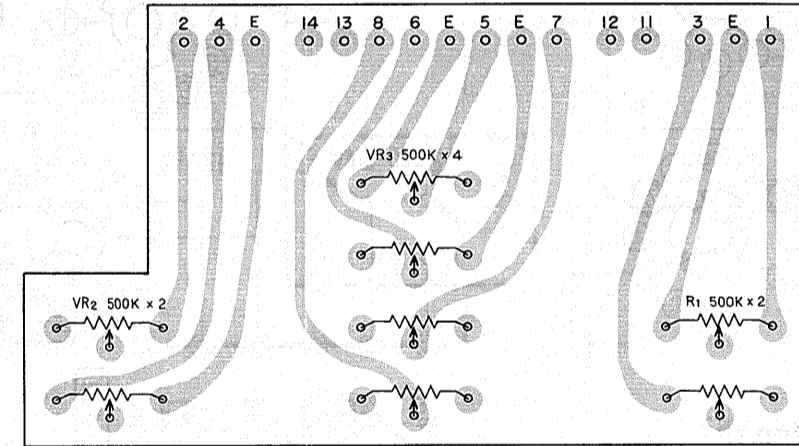
Power supply ass'y AWR-024



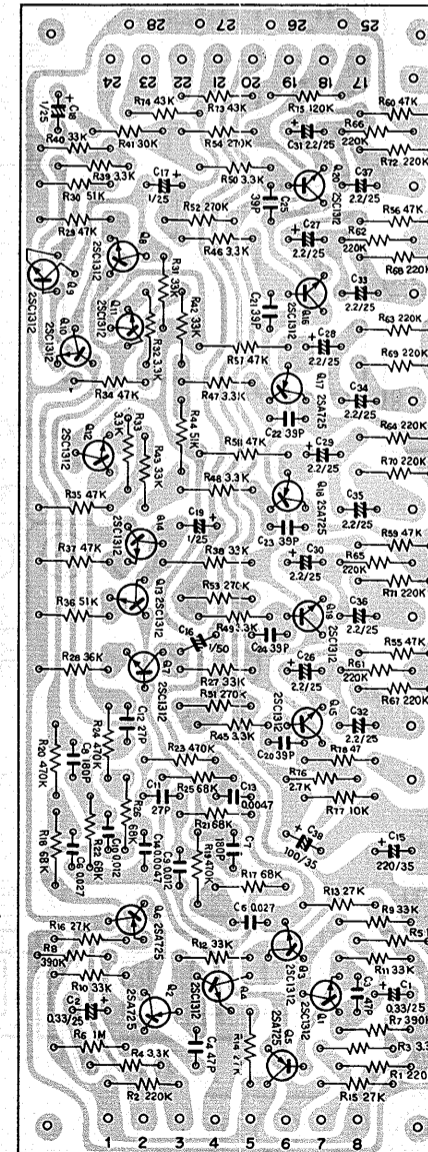
SP switch ass'y A AWS-041



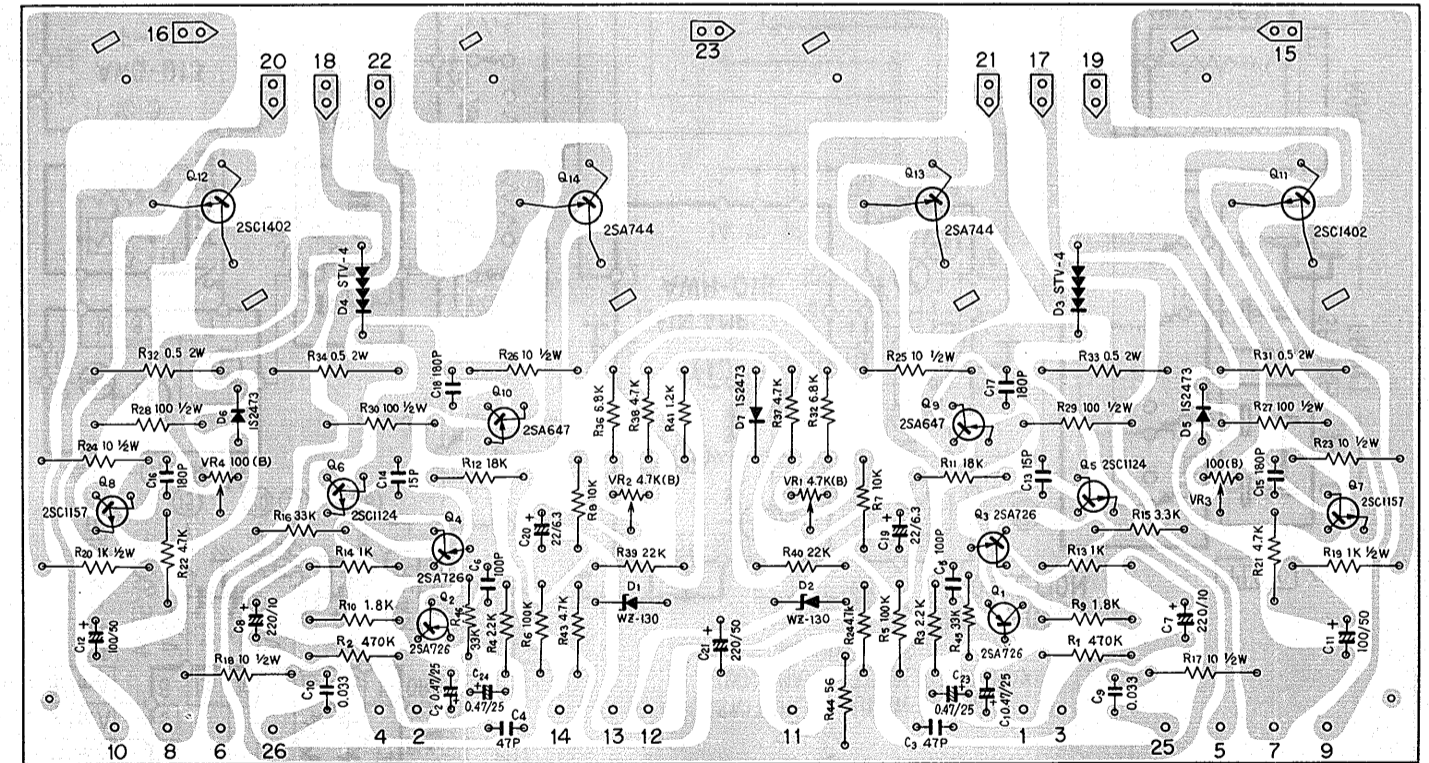
Balance volume ass'y AWX-035



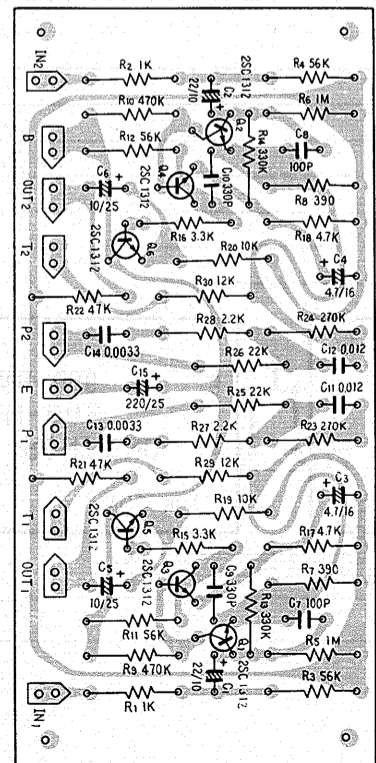
Decoder ass'y AWM-031



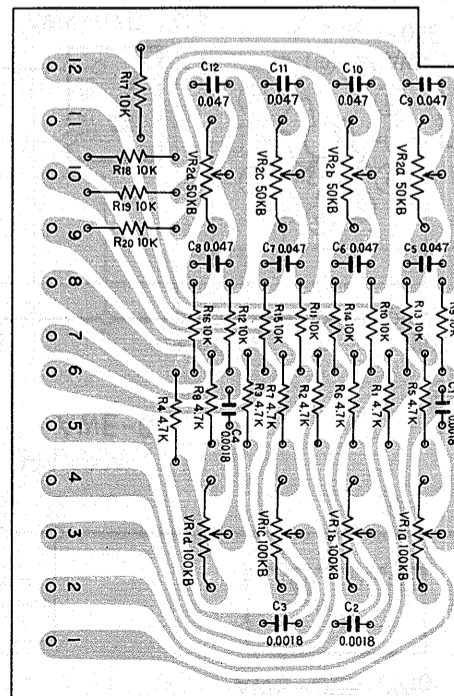
Main amp ass'y AWH-015



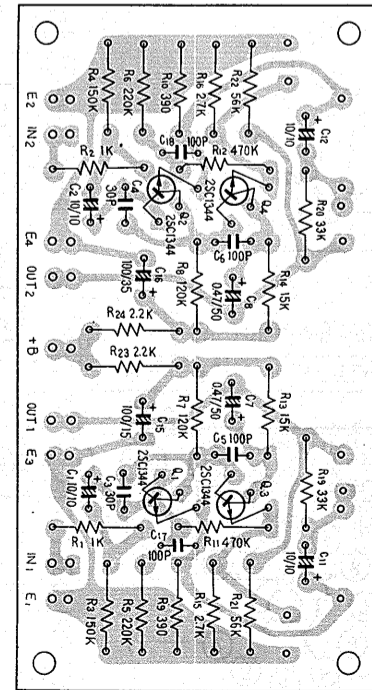
Head amp ass'y W21-002



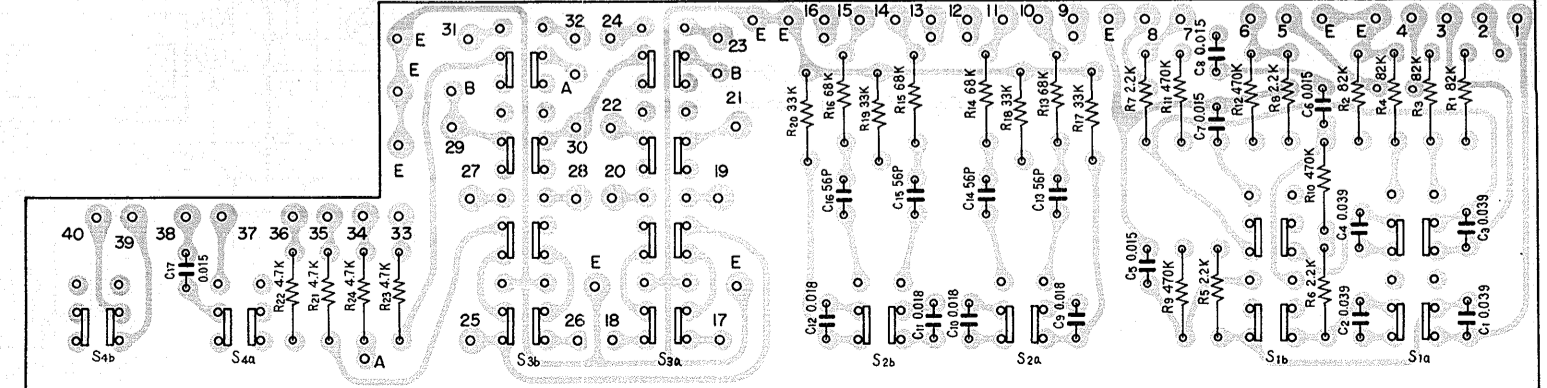
Tone control ass'y AWG-014

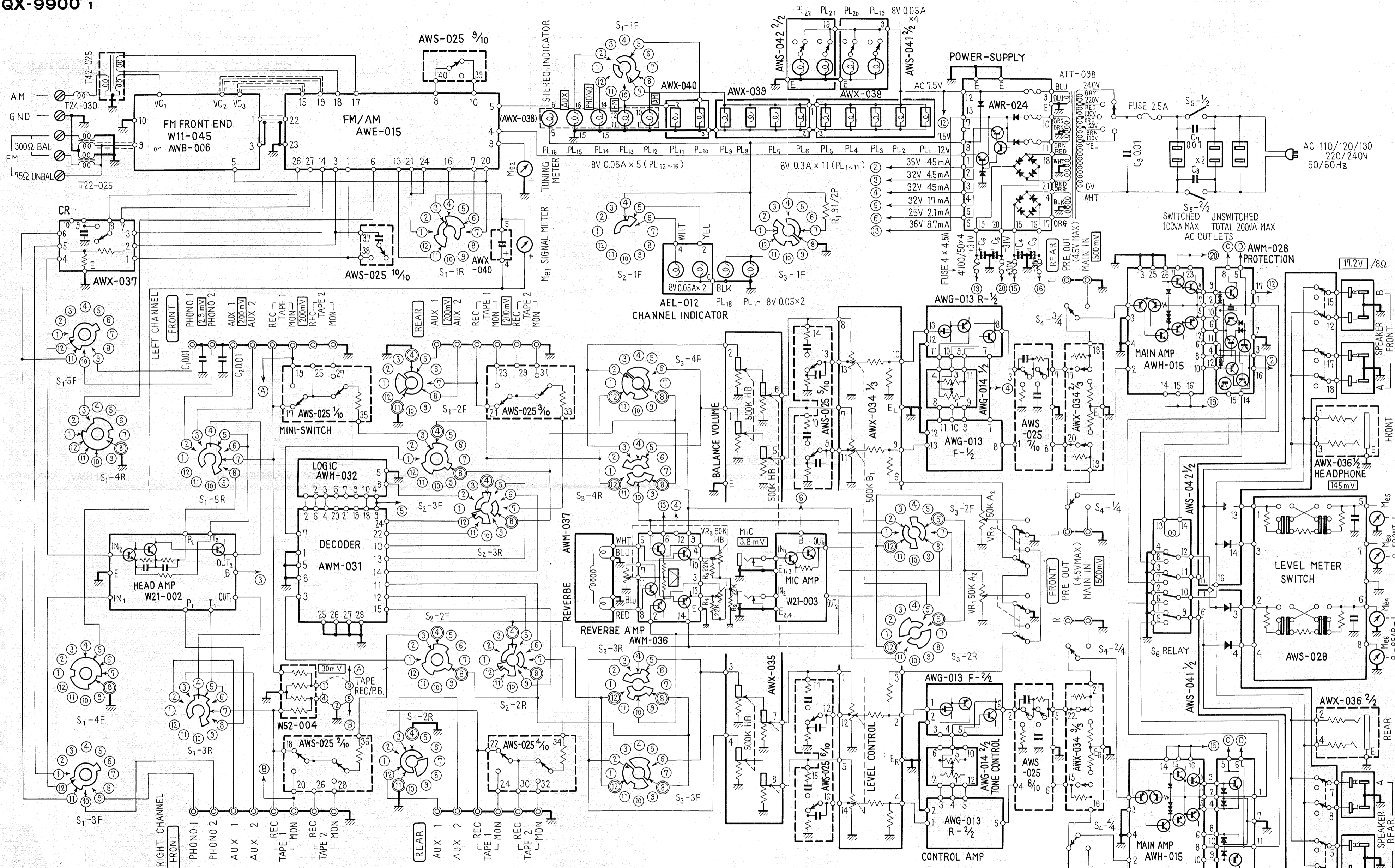


MIC amp ass'y W21-003



Mini switch ass'y AWS-025





SWITCHES

- S₁: INPUT SELECTOR
 1. AM
 2. FM MONO
 3. FM AUTO
 4. PHONO 1
 5. PHONO 2
 6. AUX 1
 7. AUX 2

- S₂: MODE SELECTOR
 1. 2CH. STEREO
 2. 4CH. MATRIX REGULAR
 3. 4CH. MATRIX SQ
 4. 4CH. DISCRETE

- S₃: REVERBERATION MODE
 1. FRONT
 2. REAR
 3. OFF
 4. MIC
- S₄: PRE & MAIN SWITCH
 1. INTERCOUPLED
 2. SEPARATED

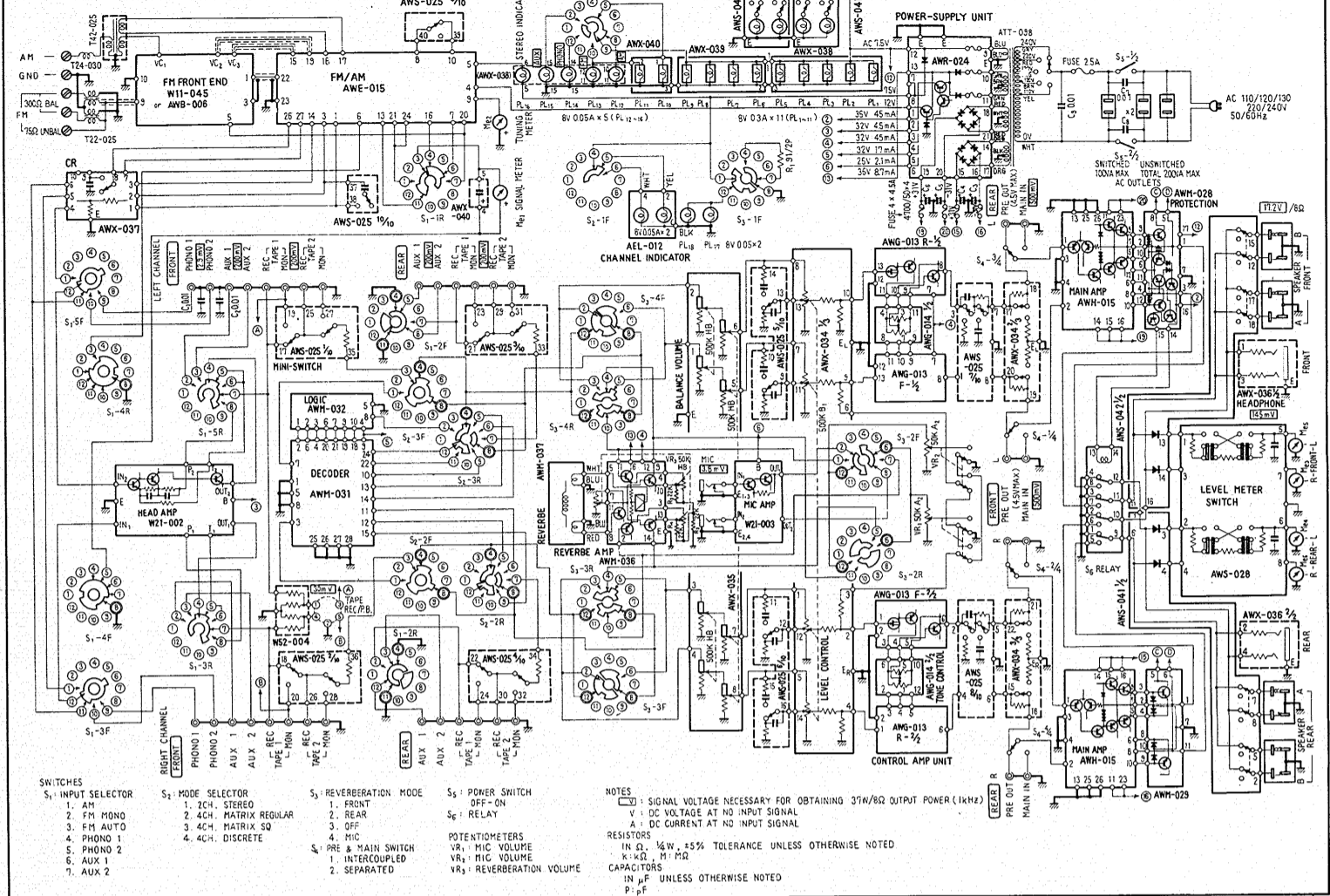
- S₅: POWER SWITCH
 OFF-ON
- S₆: RELAY

- POTENTIOMETERS
 VR₁: MIC VOLUME
 VR₂: MIC VOLUME
 VR₃: REVERBERATION VOLUME

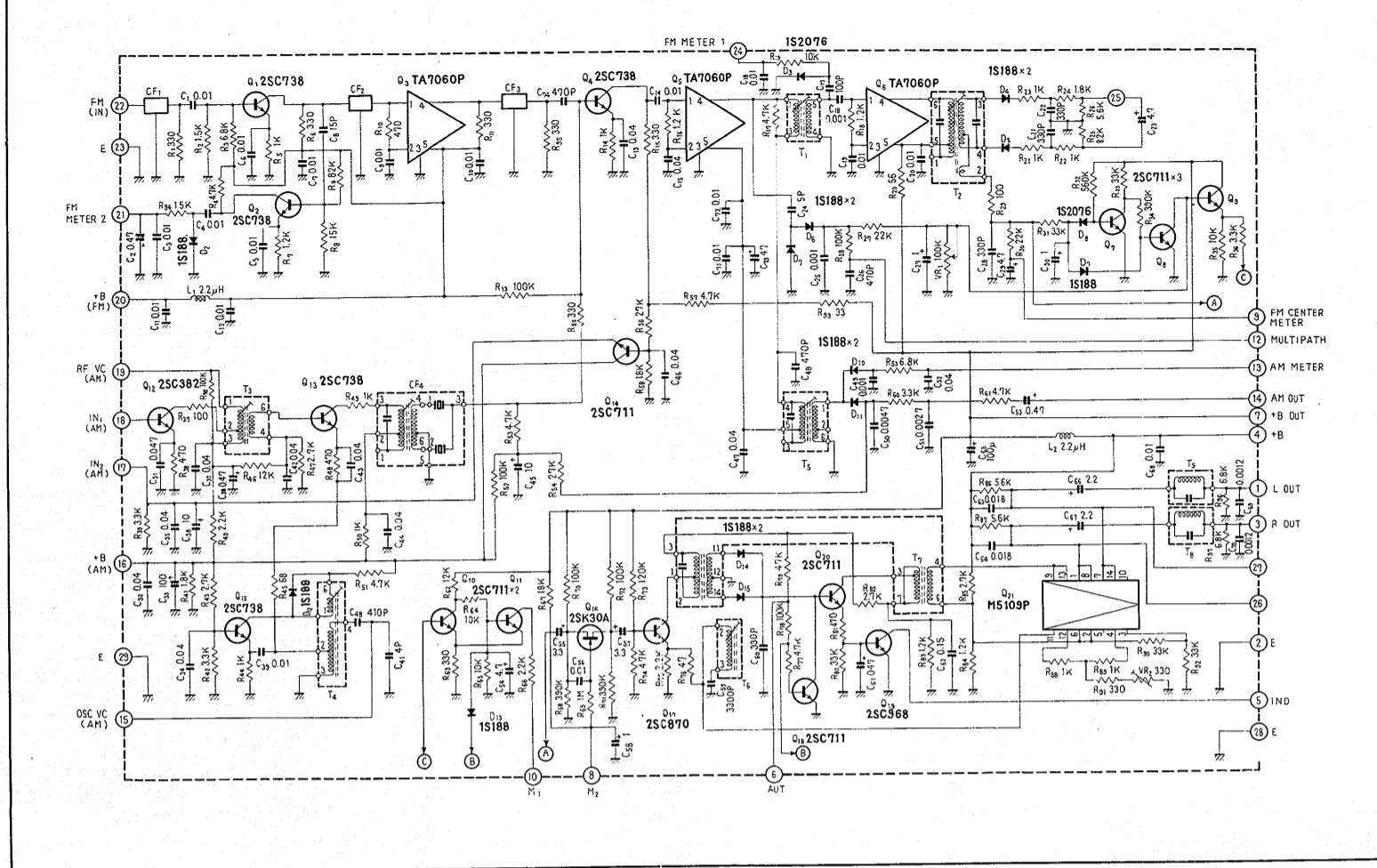
NOTES

- : SIGNAL VOLTAGE NECESSARY FOR OBTAINING 37W/8Ω OUTPUT POWER (1kHz)
 V: DC VOLTAGE AT NO INPUT SIGNAL
 A: DC CURRENT AT NO INPUT SIGNAL
- RESISTORS
 IN Ω, 1/4W, ±5% TOLERANCE UNLESS OTHERWISE NOTED
 K: kΩ, M: MΩ
- CAPACITORS
 IN μF UNLESS OTHERWISE NOTED
 P: pF

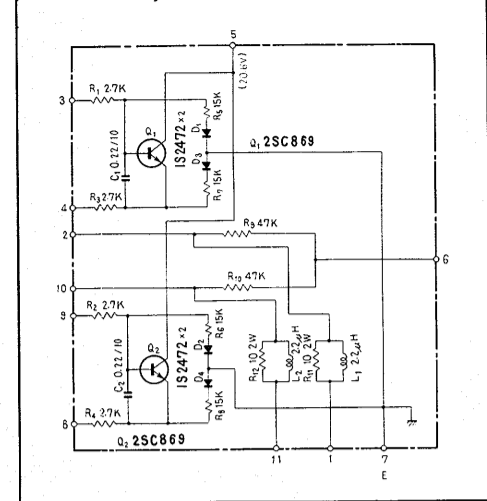
QX-9900 2



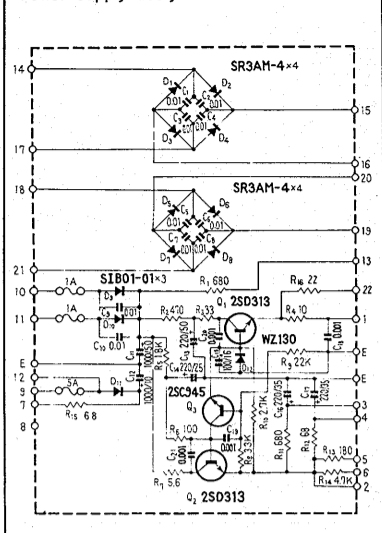
AM/FM ass'y AWE-015



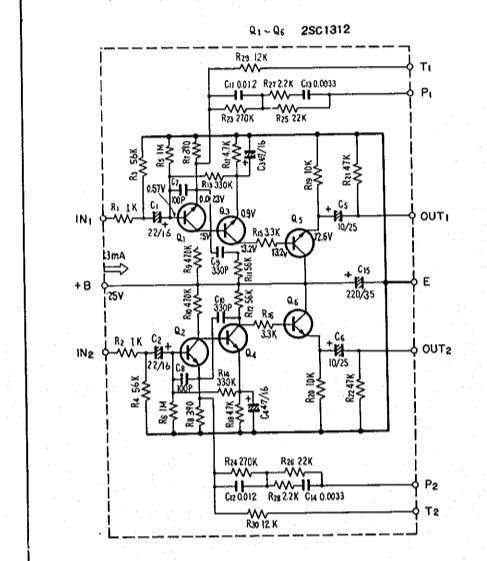
Protection ass'y AWM-029



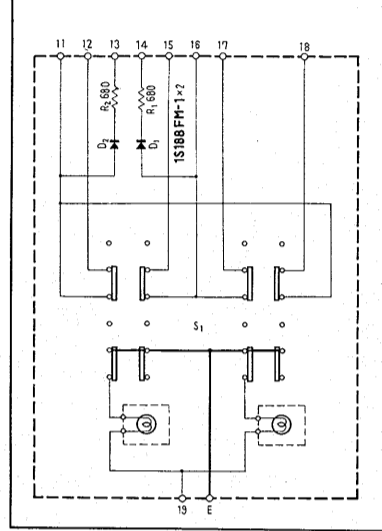
Power supply ass'y AWR-024



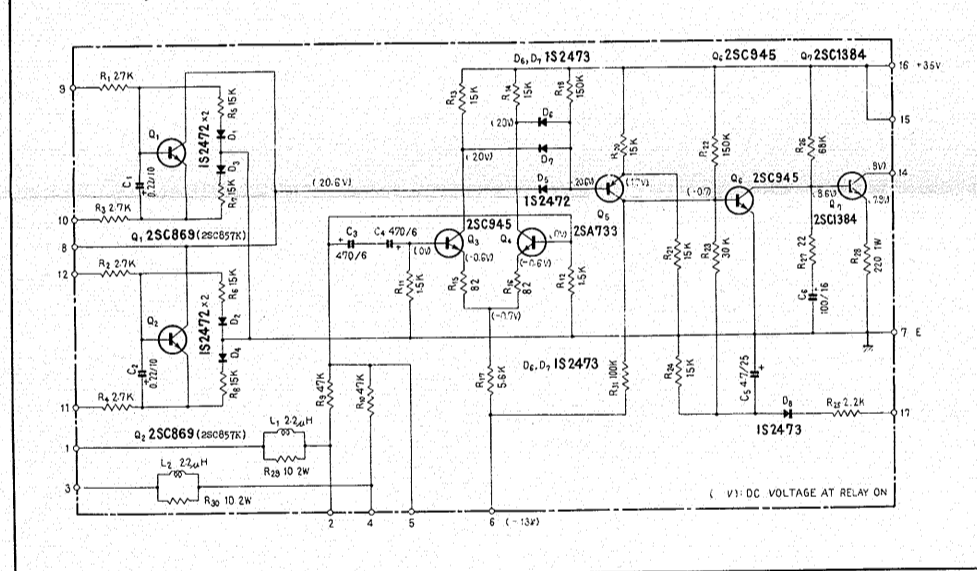
Head amp ass'y W21-002



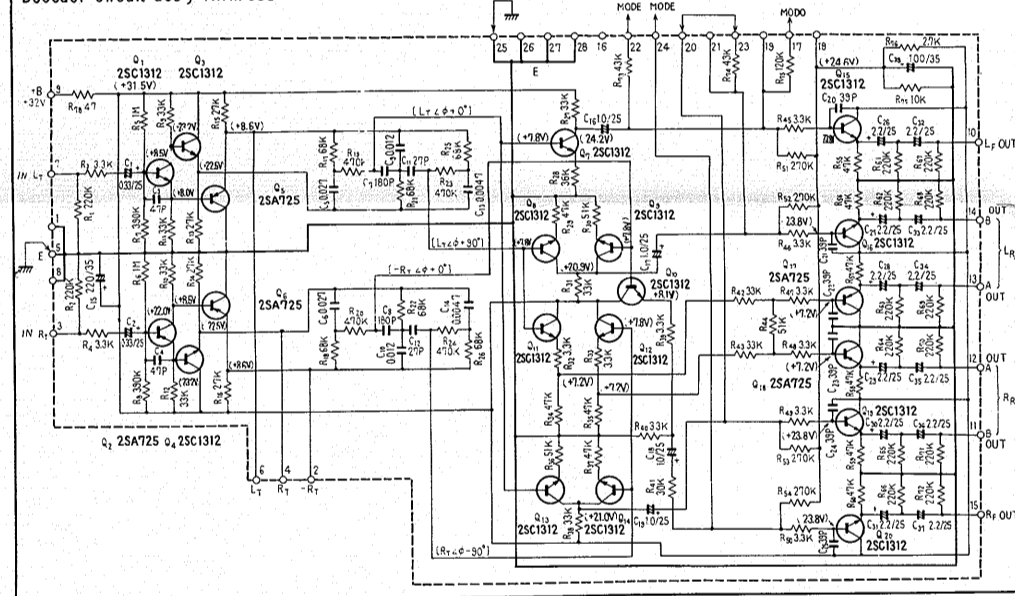
SP switch ass'y B AWS-042



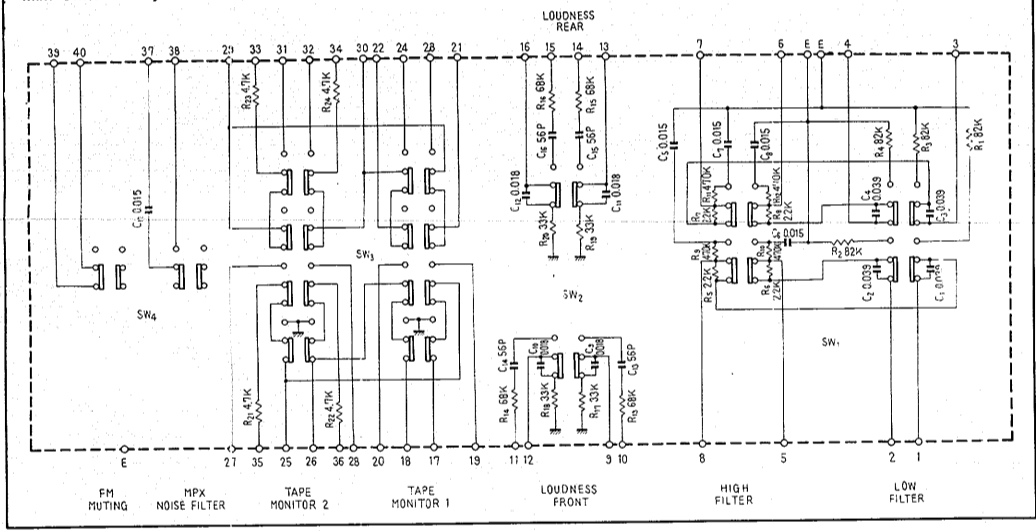
Protection ass'y AWM-028



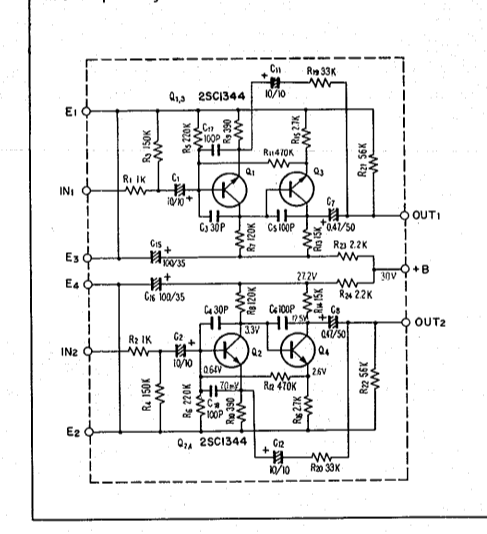
Decoder circuit ass'y AWM-031



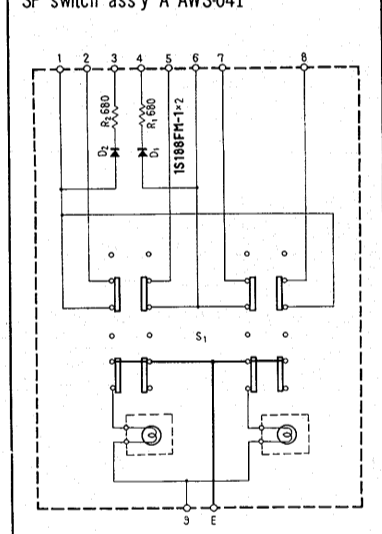
Mini switch ass'y AWS-025



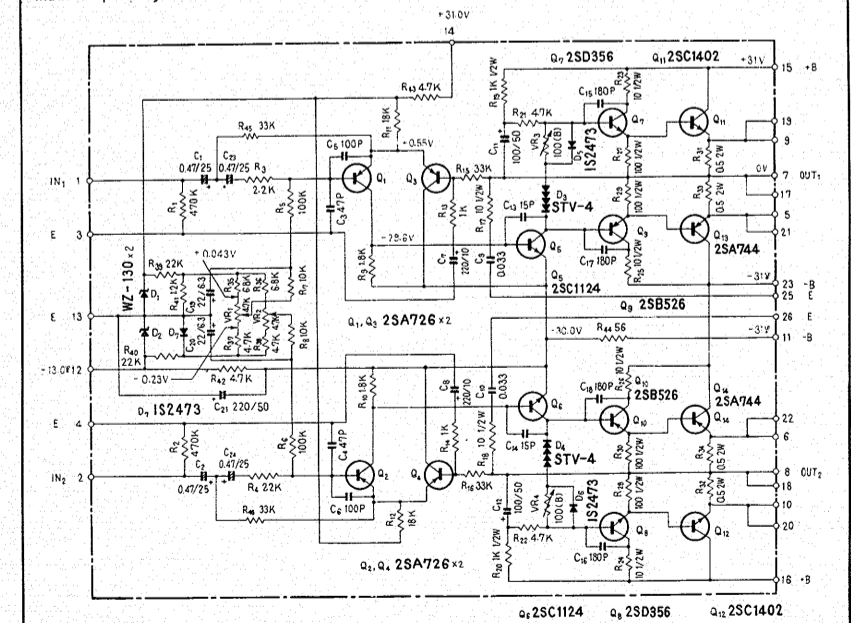
Mic amp ass'y W21-003



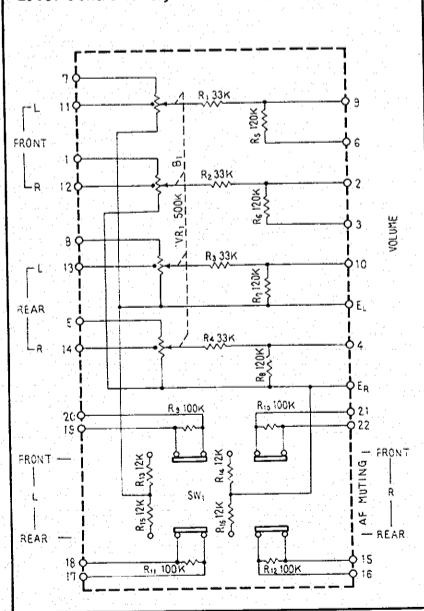
SP switch ass'y A AWS-041



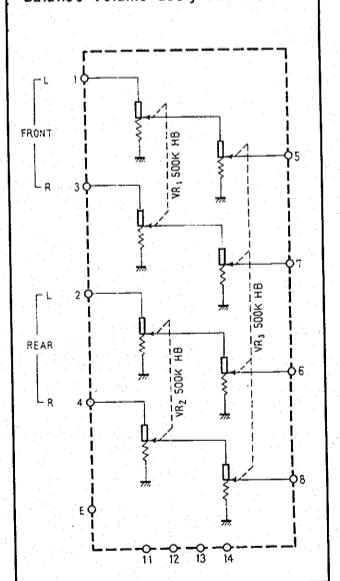
Main amp ass'y AWH-015



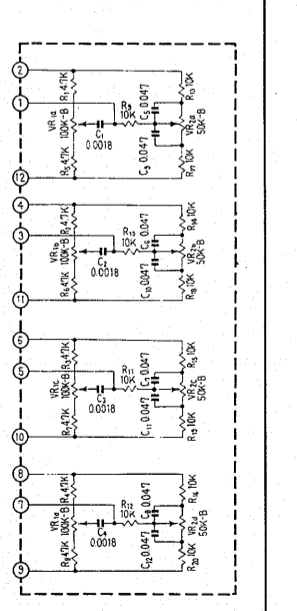
Level control ass'y AWX-034



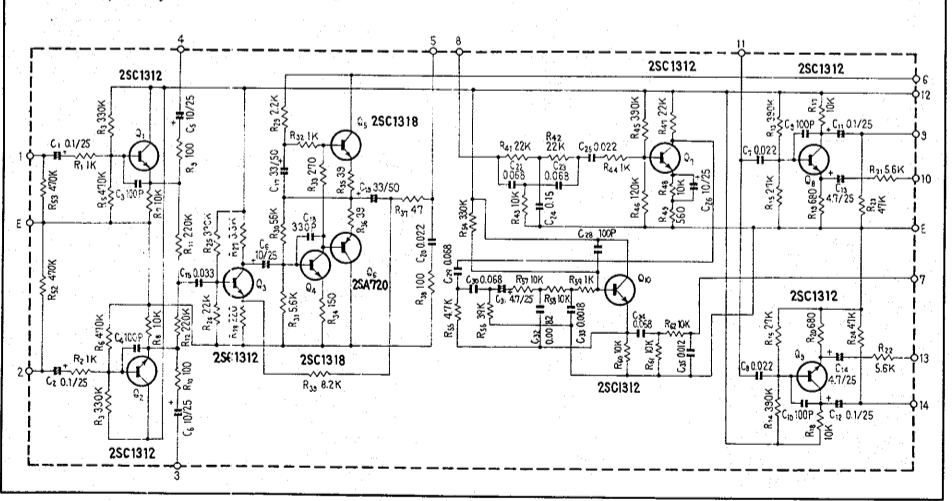
Balance volume ass'y AWX-035



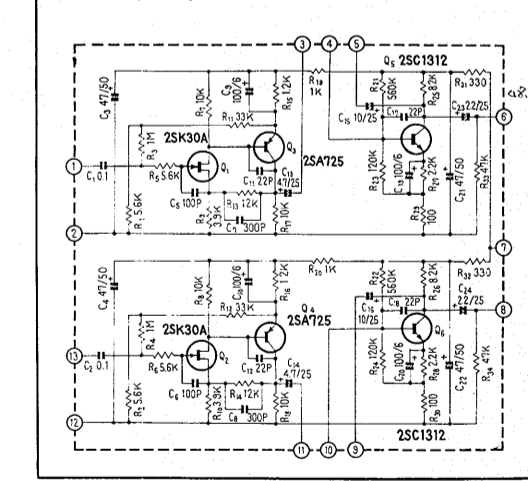
Tone control ass'y AWG-014



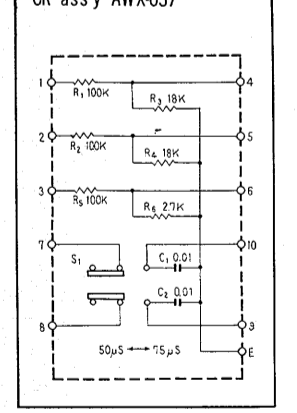
Reverb amp ass'y AWM-036



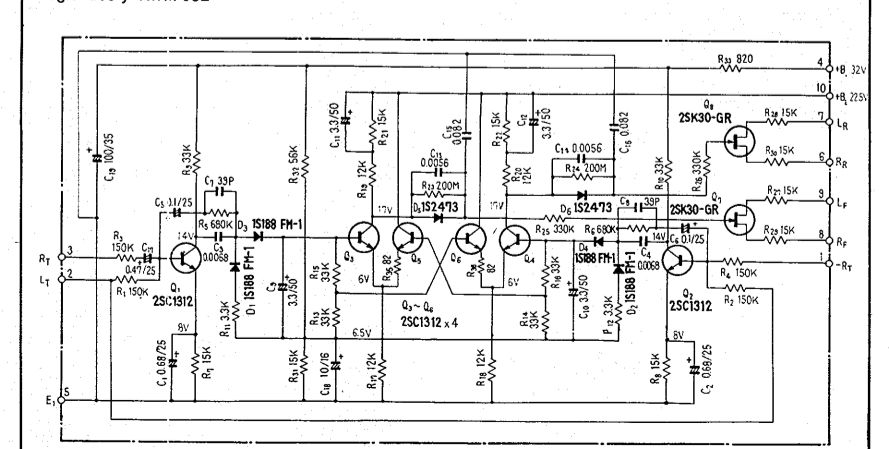
Control amp ass'y AWG-013



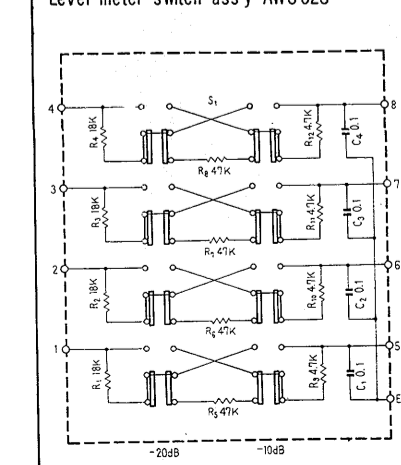
CR ass'y AWX-037



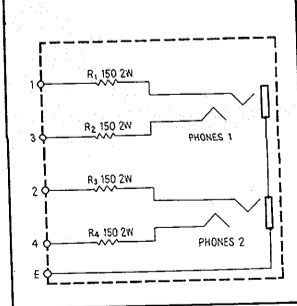
Logic ass'y AWIM-032

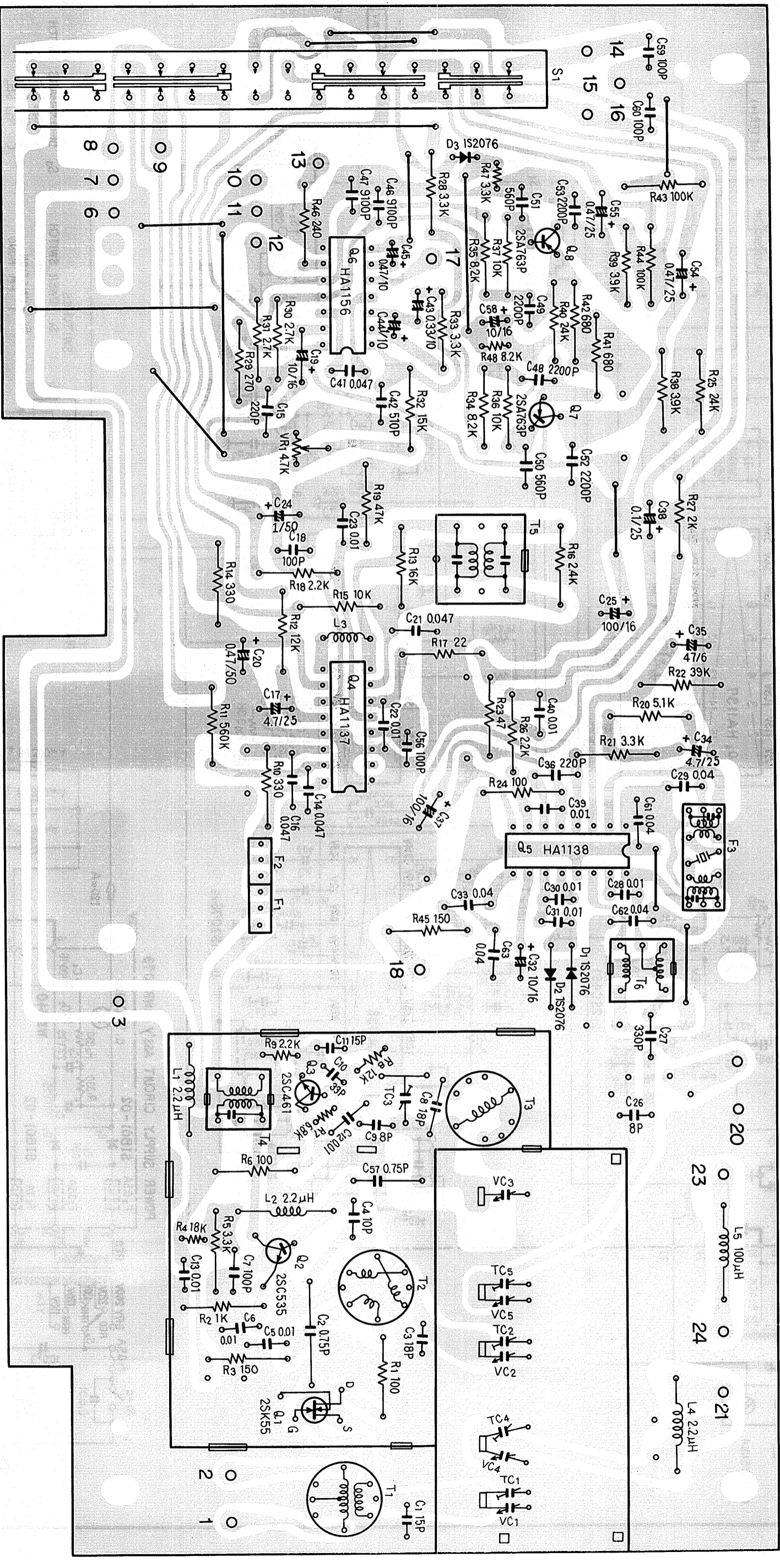


Level meter switch ass'y AWS-028

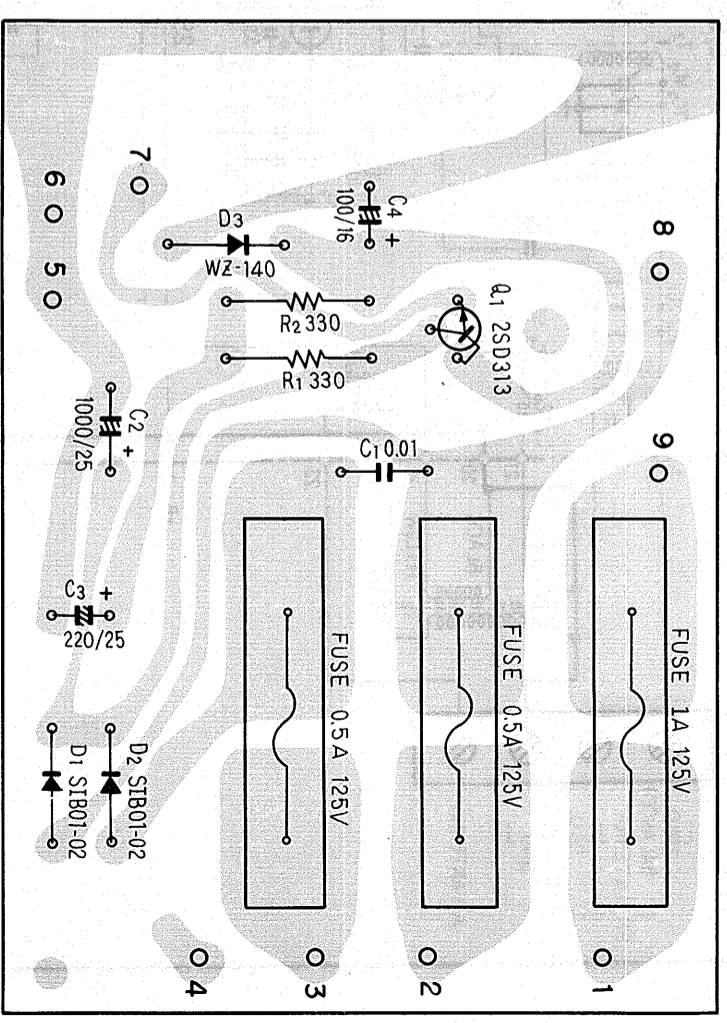


Headphone ass'y AWX-036

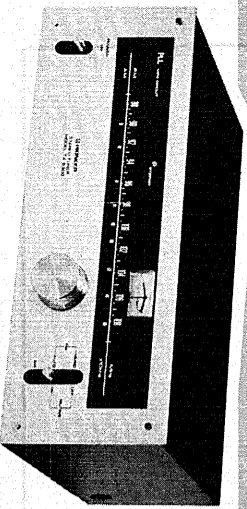
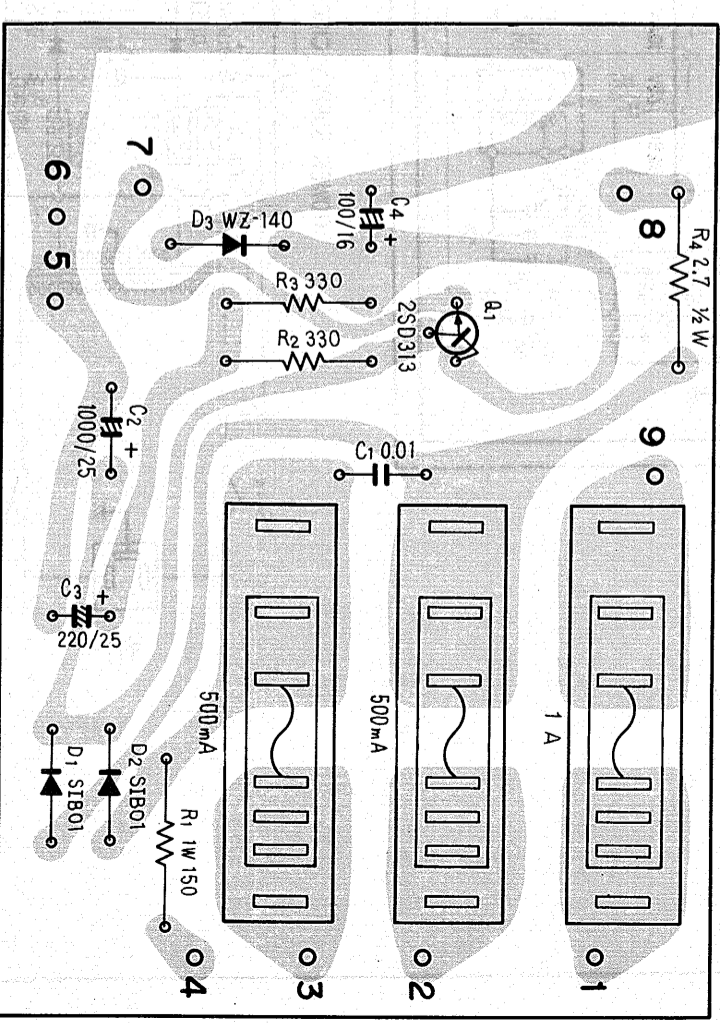




Power supply ass'y AWR-079 (FV model)



Power supply ass'y AWR-083 (GN model)

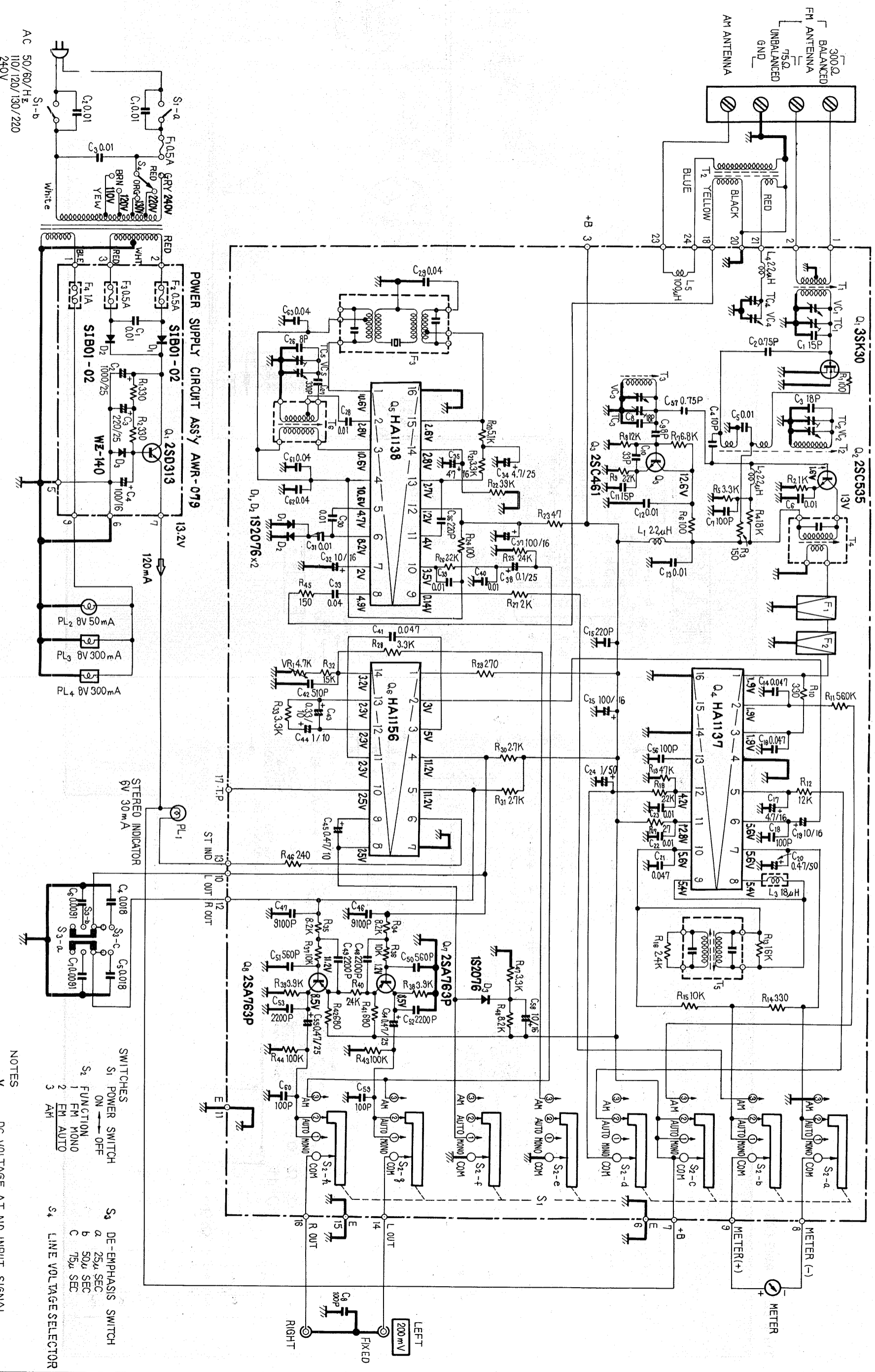


AM/FM STEREO TUNER

TX-5300

FV GN

28

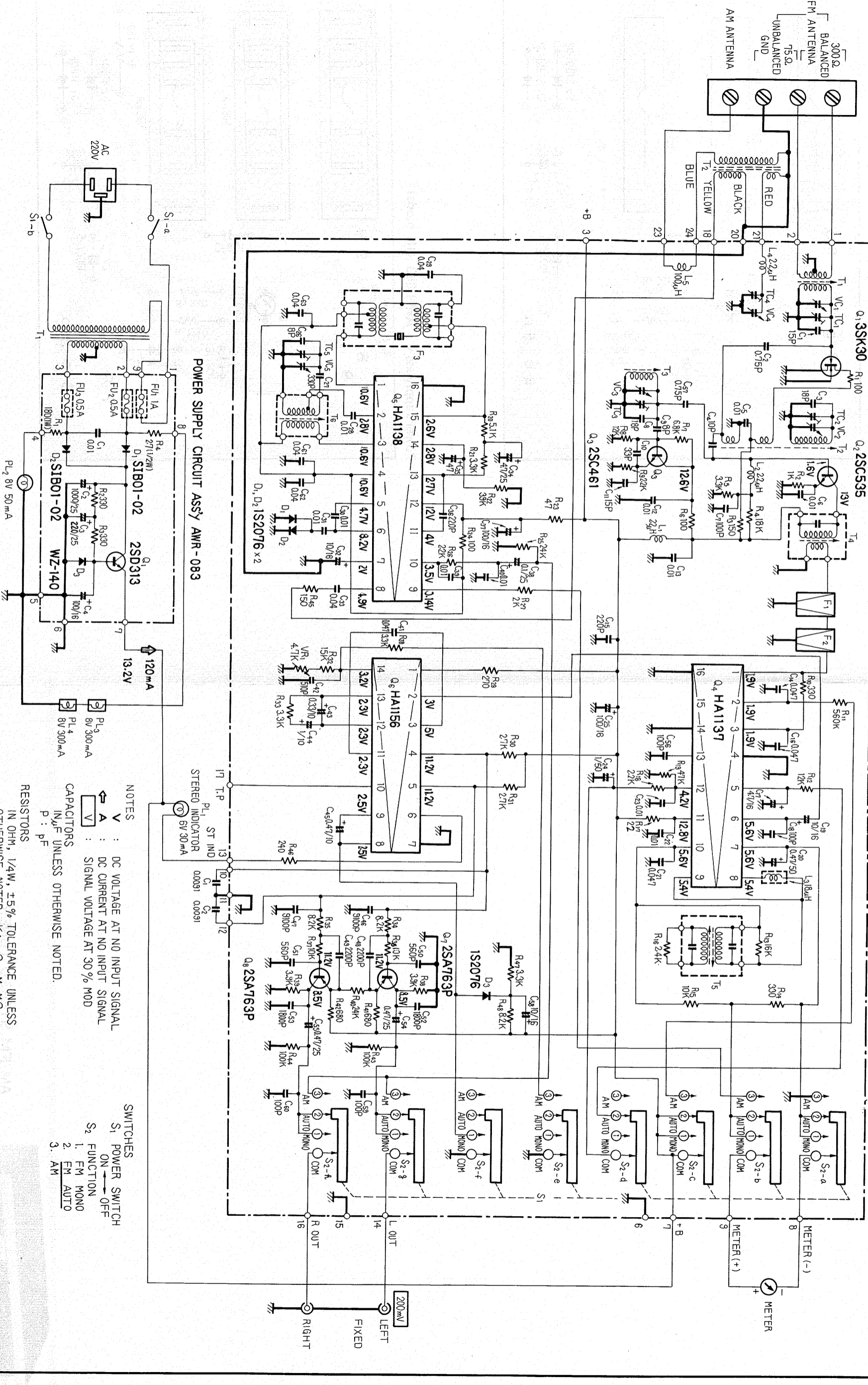


RESISTORS
IN OHM, 1/4W, ±5% TOLERANCE UNLESS
OTHERWISE NOTED. K: K.Ω M: M.Ω

CAPACITORS
IN μF UNLESS OTHERWISE NOTED.
P: pF

NOTES
V : DC VOLTAGE AT NO INPUT SIGNAL
A : DC CURRENT AT NO INPUT SIGNAL
SIGNAL VOLTAGE AT 30% MOD

SWITCHES
S1 POWER SWITCH
ON → OFF
S2 FUNCTION
1. FM MONO
2. FM AUTO
3. AM
S3 DE-EMPHASIS SWITCH
a 25μ SEC
b 50μ SEC
c 70μ SEC
S4 LINE VOLTAGE SELECTOR



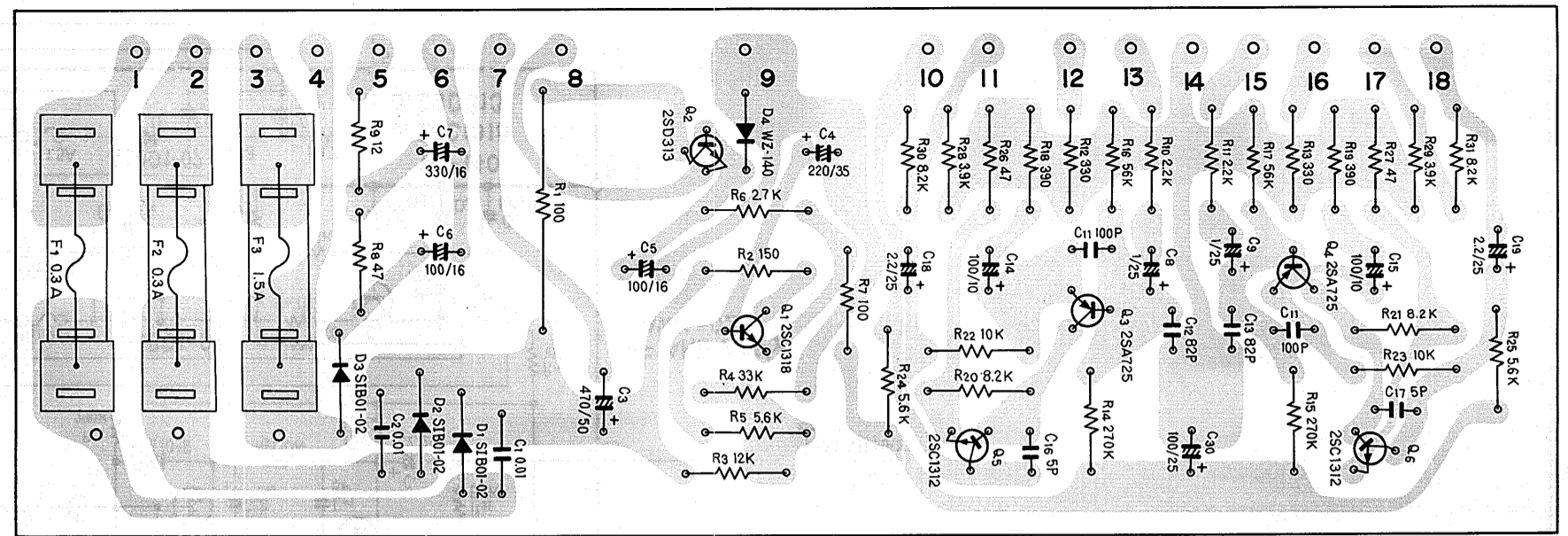
NOTES
V : DC VOLTAGE AT NO INPUT SIGNAL
A : DC CURRENT AT NO INPUT SIGNAL
SIGNAL VOLTAGE AT 30% MOD

CAPACITORS
IN μF UNLESS OTHERWISE NOTED.
P: pF

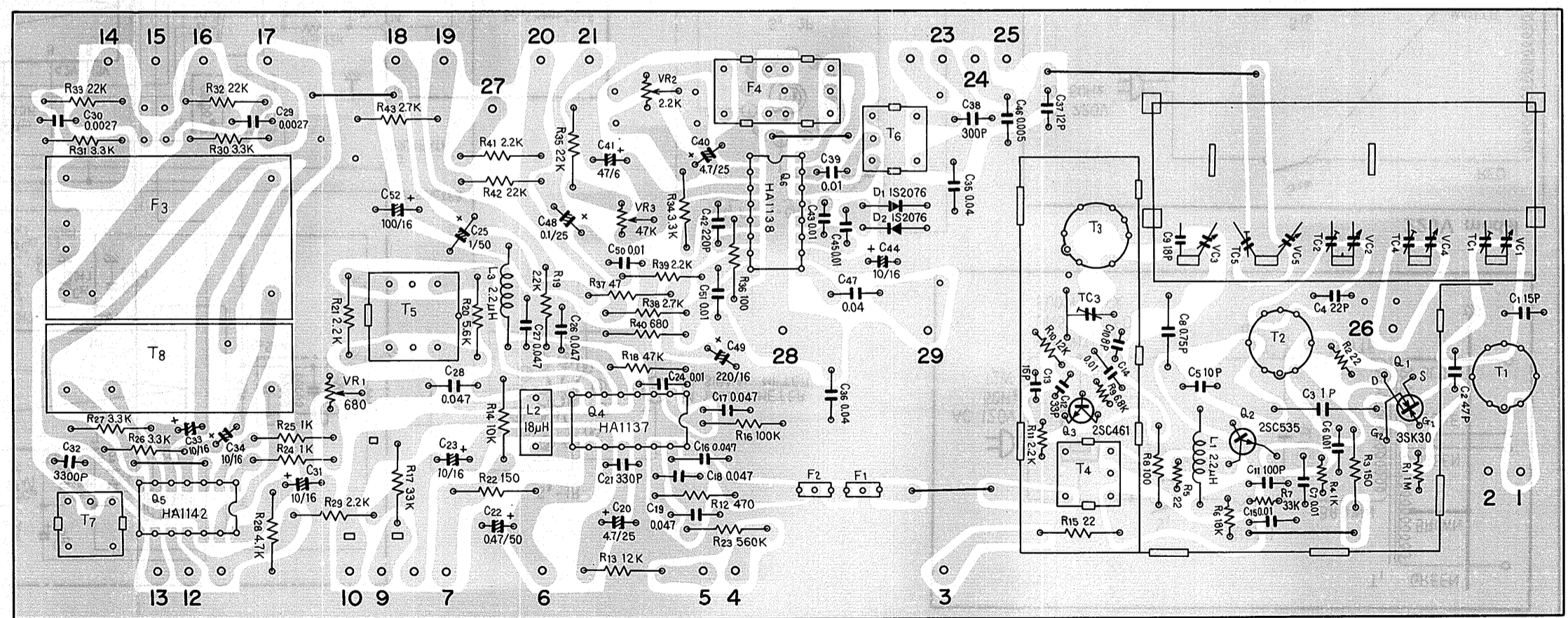
RESISTORS
IN OHM, 1/4W, ±5% TOLERANCE UNLESS
OTHERWISE NOTED. K: K.Ω M: M.Ω

SWITCHES
S1 POWER SWITCH
ON → OFF
S2 FUNCTION
1. FM MONO
2. FM AUTO
3. AM

AF amp ass'y AWK-023



Tuner ass'y AWE-025

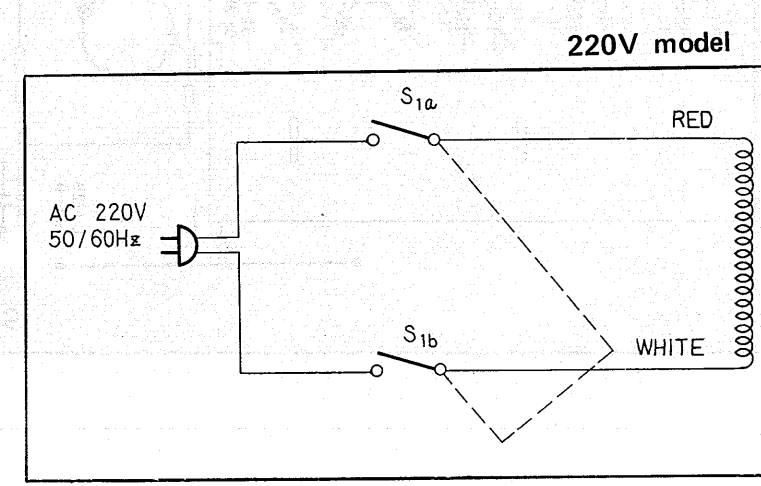
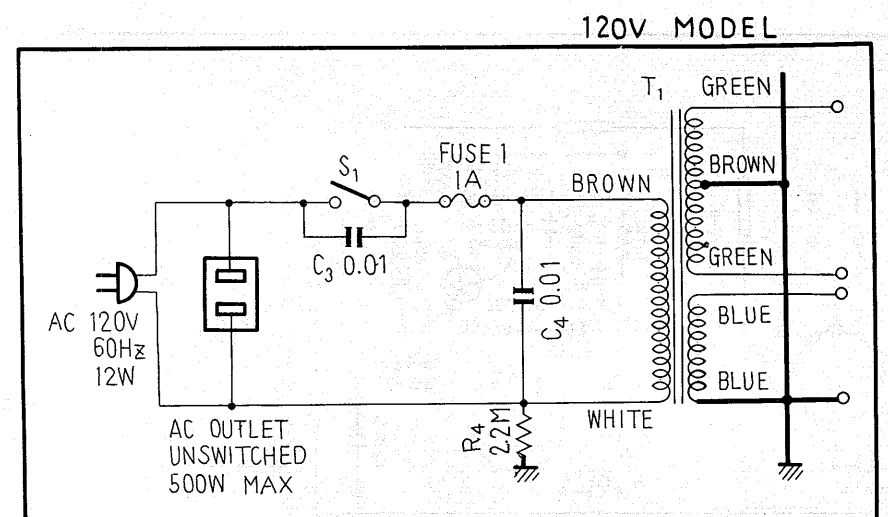
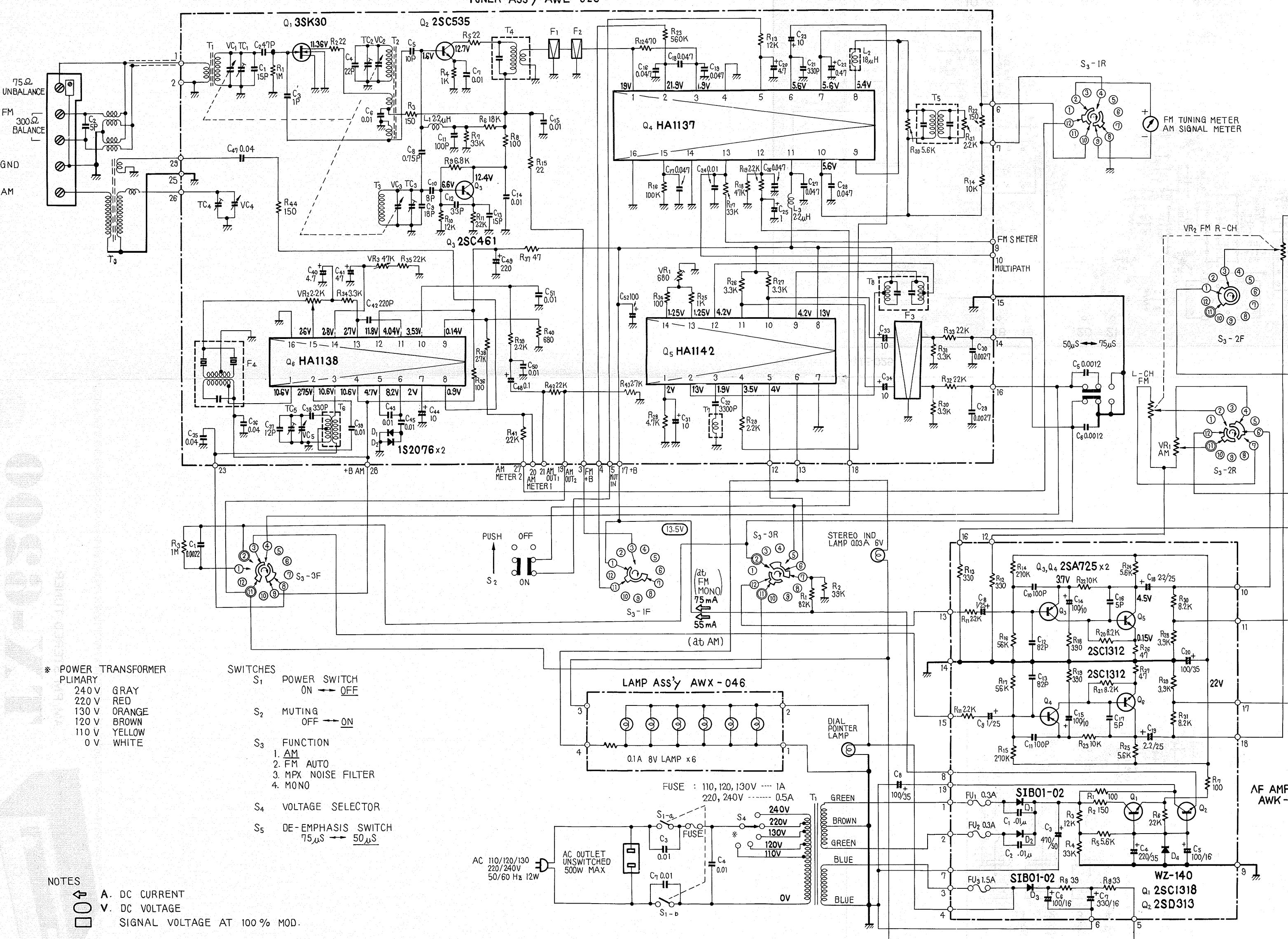


AM/FM STEREO TUNER
TX-6200
F VZ KC KU NB

29

LX-9300

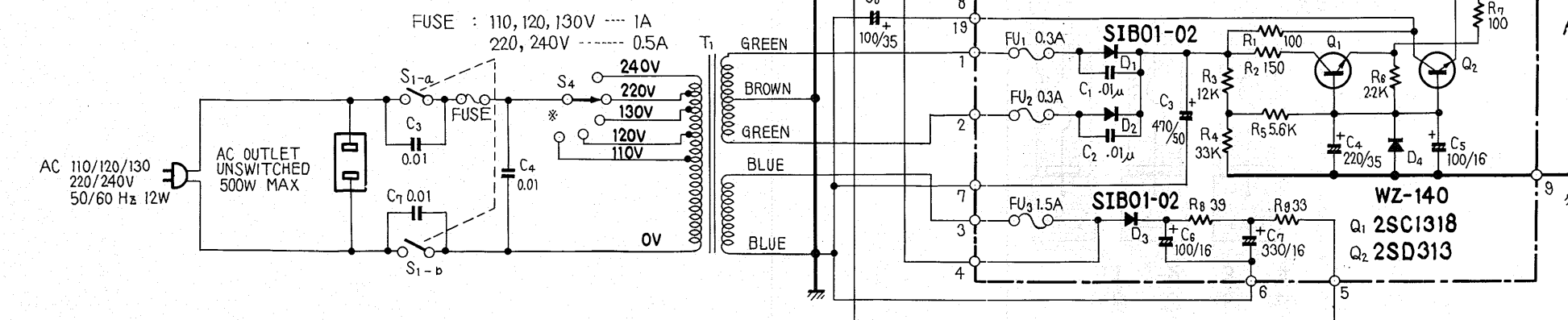
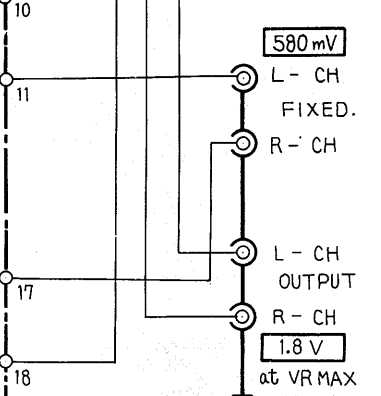
TX-6200



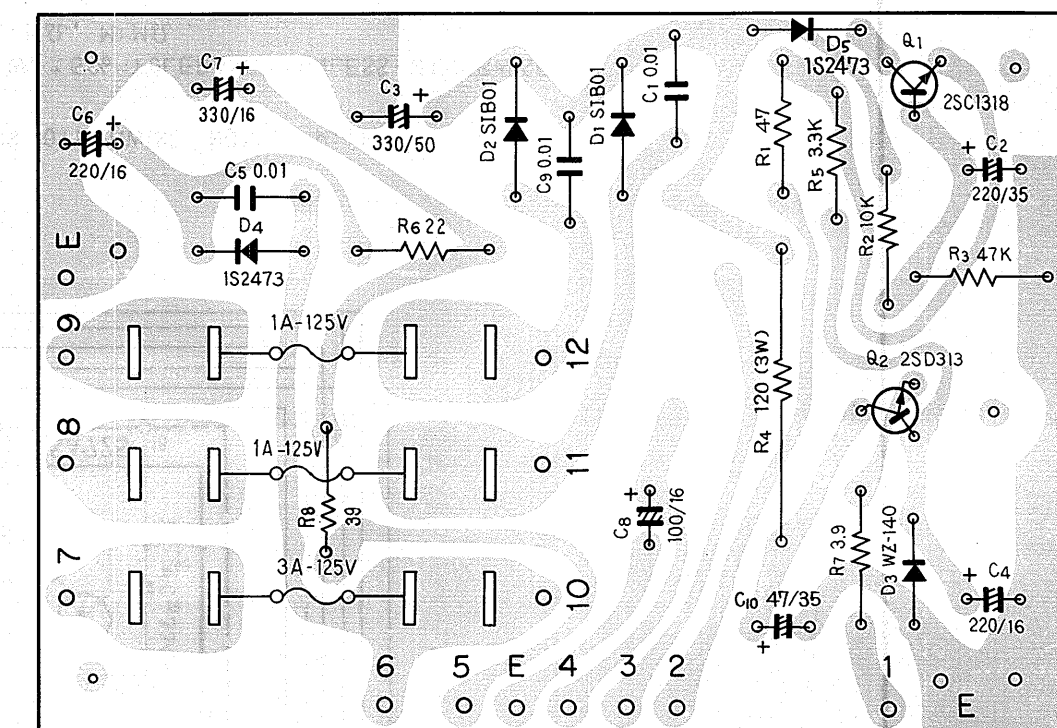
* POWER TRANSFORMER
PRIMARY
240 V GRAY
220 V RED
130 V ORANGE
120 V BROWN
110 V YELLOW
0 V WHITE

SWITCHES
S1 POWER SWITCH
ON → OFF
S2 MUTING
OFF → ON
S3 FUNCTION
1. AM
2. FM AUTO
3. MPX NOISE FILTER
4. MONO
S4 VOLTAGE SELECTOR
S5 DE-EMPHASIS SWITCH
75μS ↔ 50μS

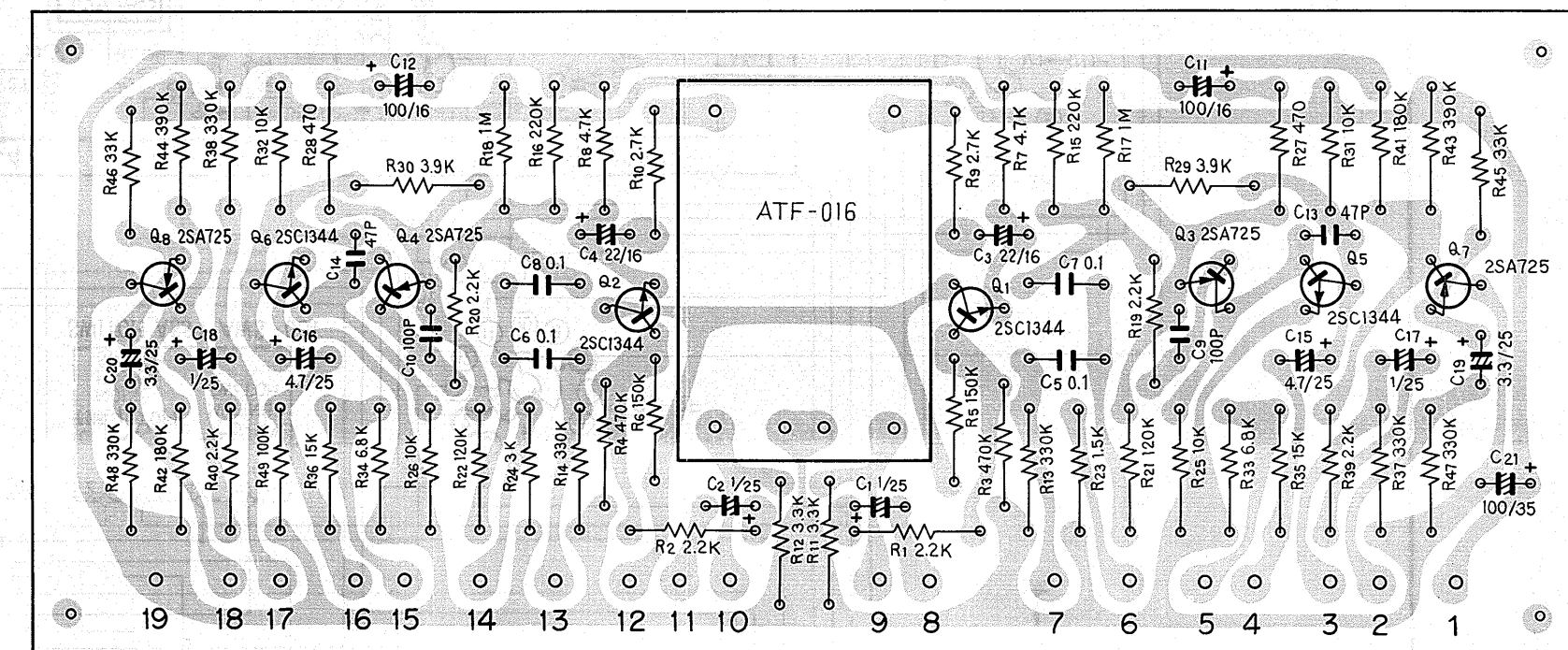
NOTES
A. DC CURRENT
V. DC VOLTAGE
□ SIGNAL VOLTAGE AT 100% MOD.



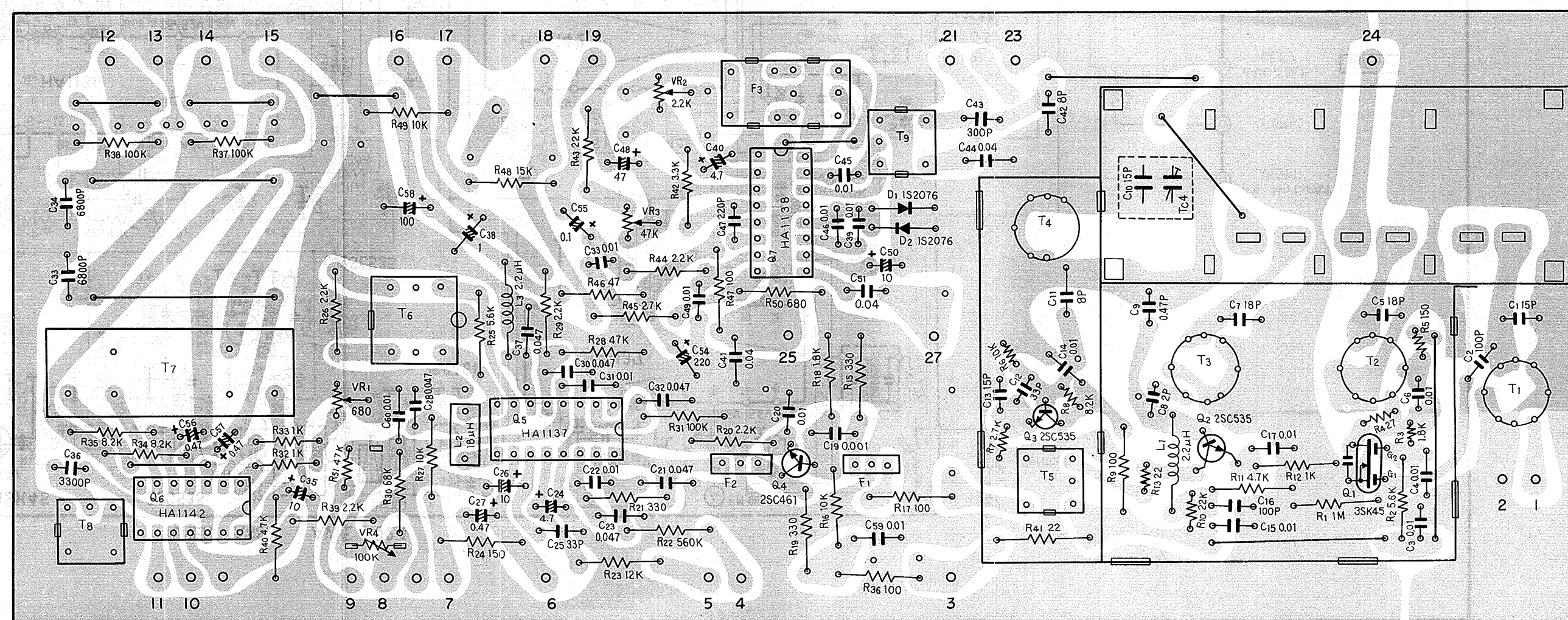
Power supply ass'y AWR-027



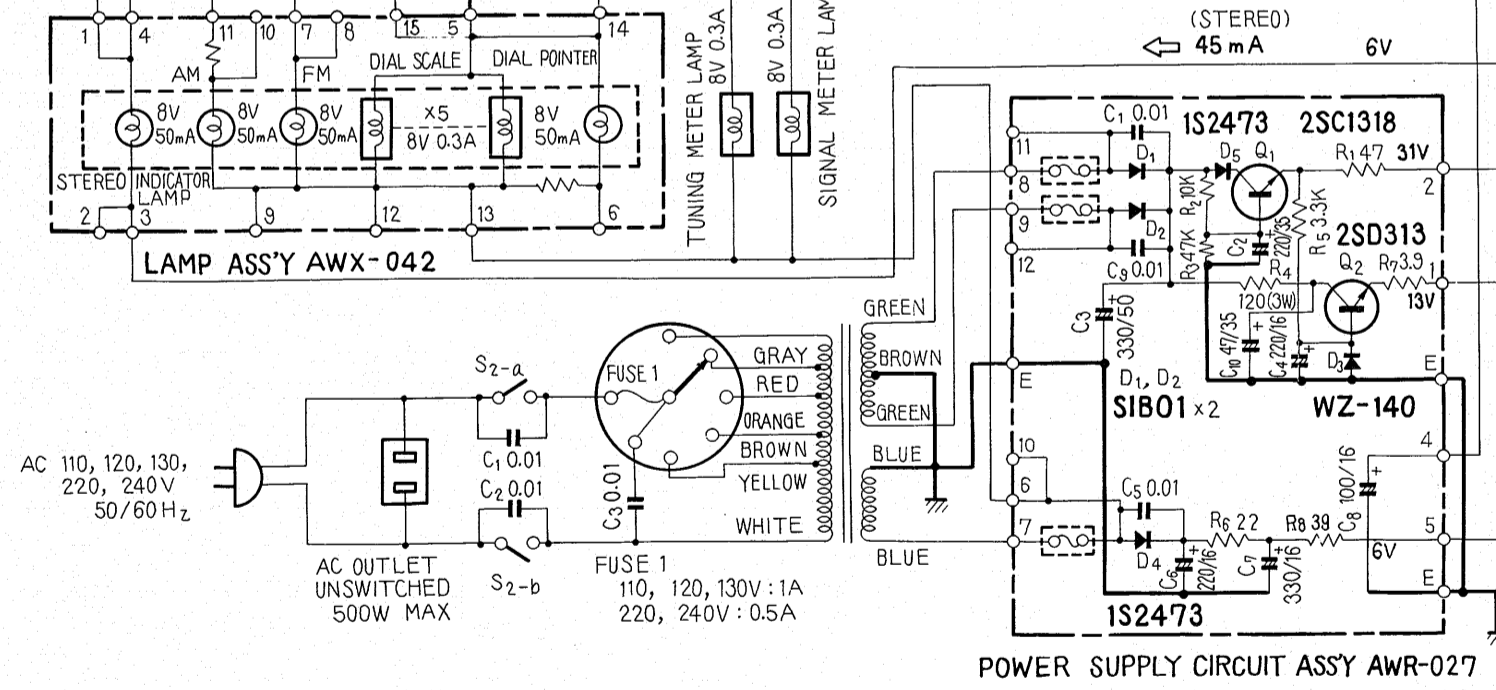
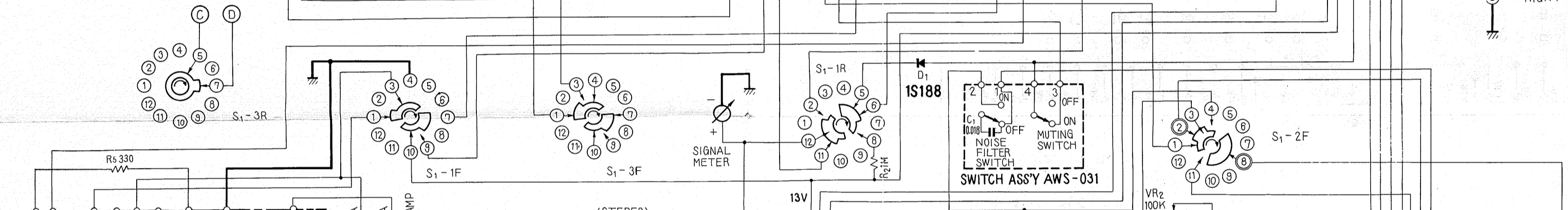
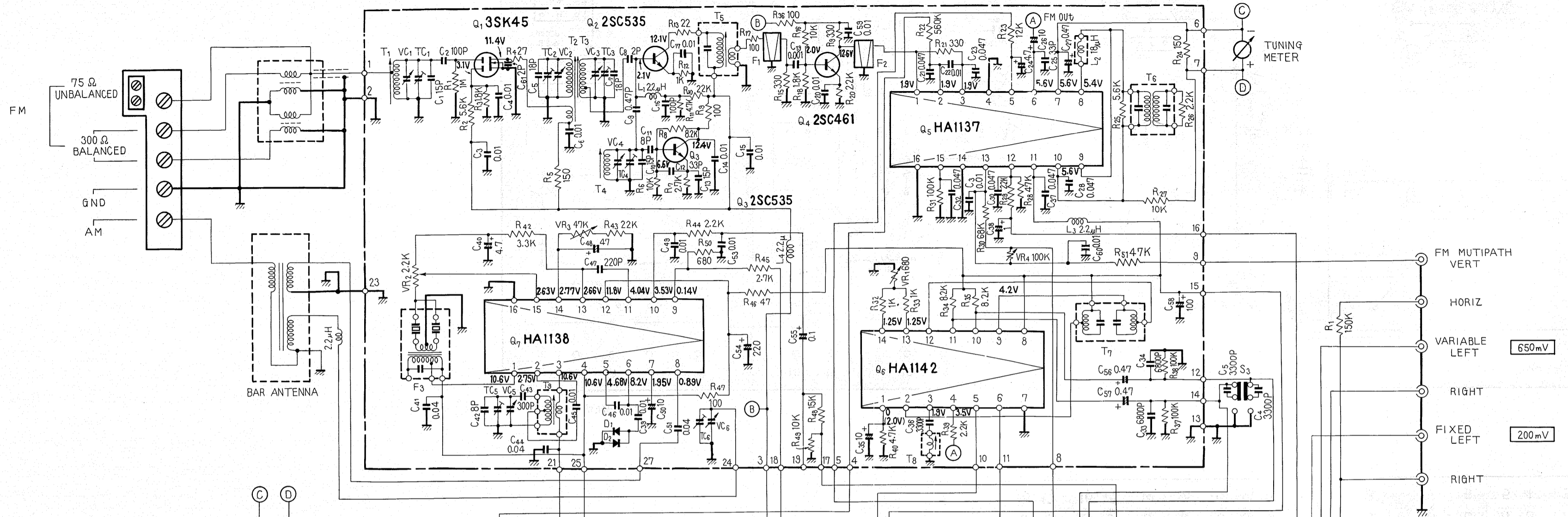
AF amp ass'y AWK-019



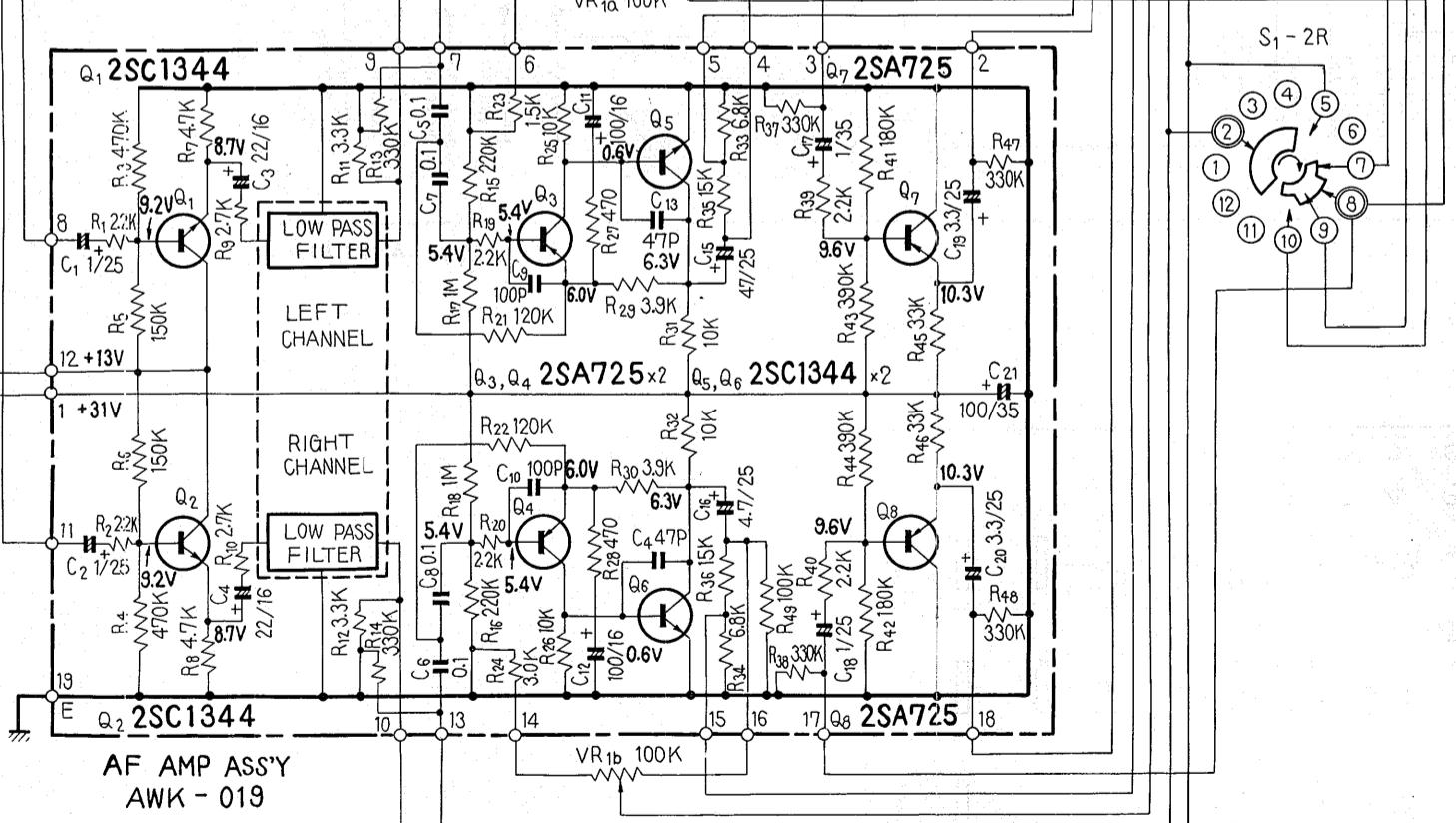
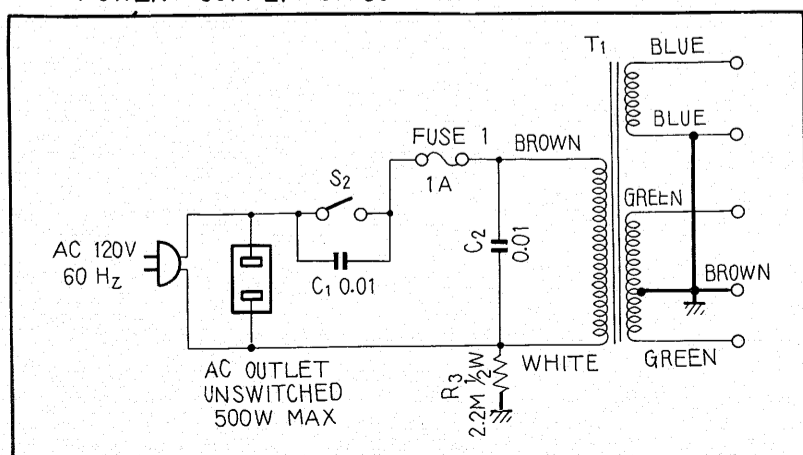
Tuner ass'y AWE-024



TUNER ASSY AWE-024



POWER SUPPLY CIRCUIT FOR 120V MODEL



NOTES

Neither Switch(S₃) nor Capacitors(C₄ & C₅) are provided for FTZ approved unit.
 No switch(S₃) is provided for 120V unit but capacitors(C₄ & C₅) are provided.

→ mA : DC CURRENT AT NO INPUT SIGNAL.
 V : DC VOLTAGE AT NO INPUT SIGNAL.
 mV : SIGNAL VOLTAGE AT 30% MOD.

SWITCHES

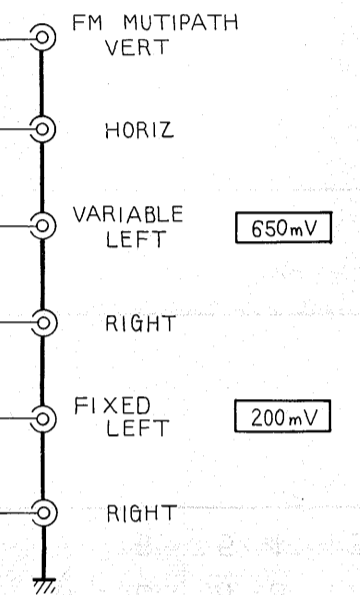
- S₁ FUNCTION (AM position)
 - 1. AM
 - 2. FM AUTO
 - 3. FM MONO
- S₂ POWER SW (OFF position)
 - ON → OFF
- S₃ DE-EMPHASIS SW (50μS position)
 - 50μS → 75μS

CAPACITORS

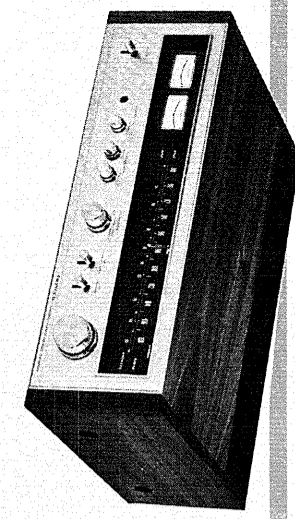
IN μF UNLESS OTHERWISE NOTED. P: pF.

RESISTORS

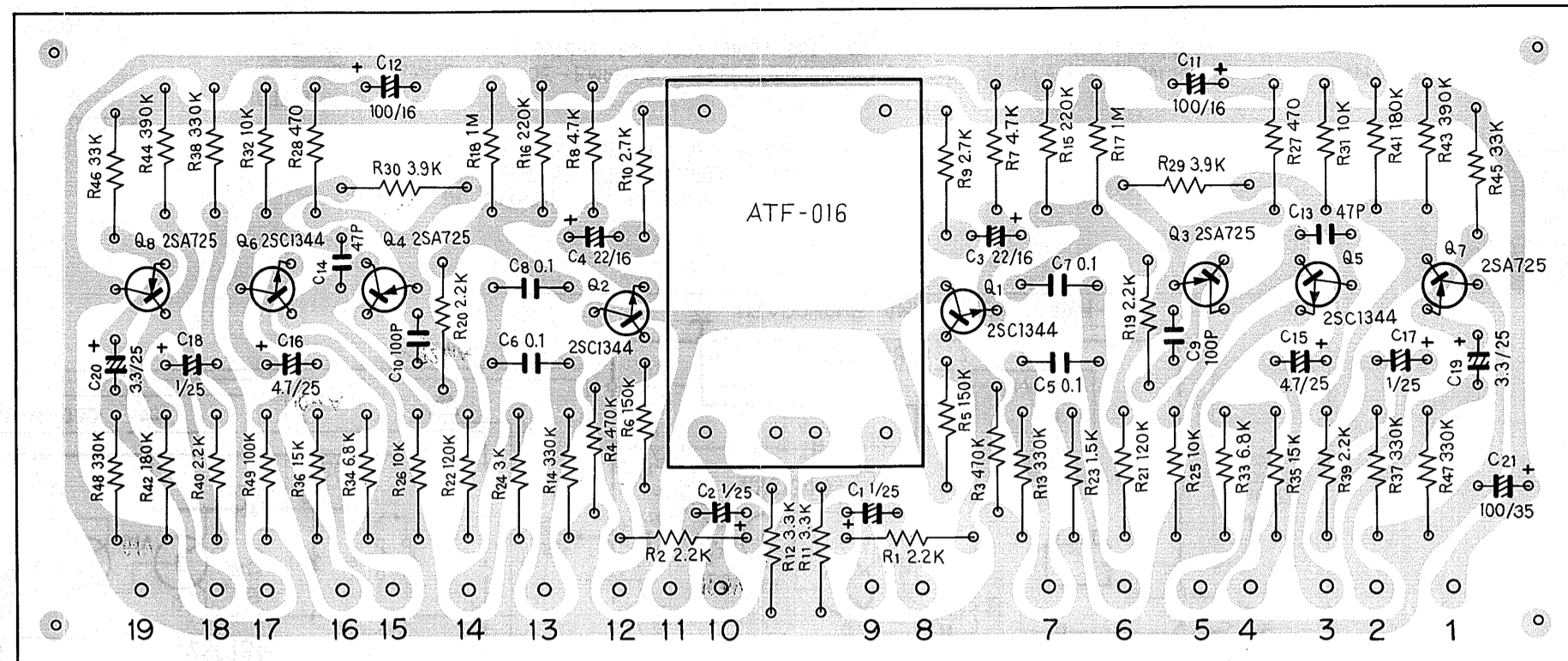
IN OHM, 1/4W, ±5% TOLERANCE UNLESS OTHERWISE NOTED. K: KΩ, M: MΩ.



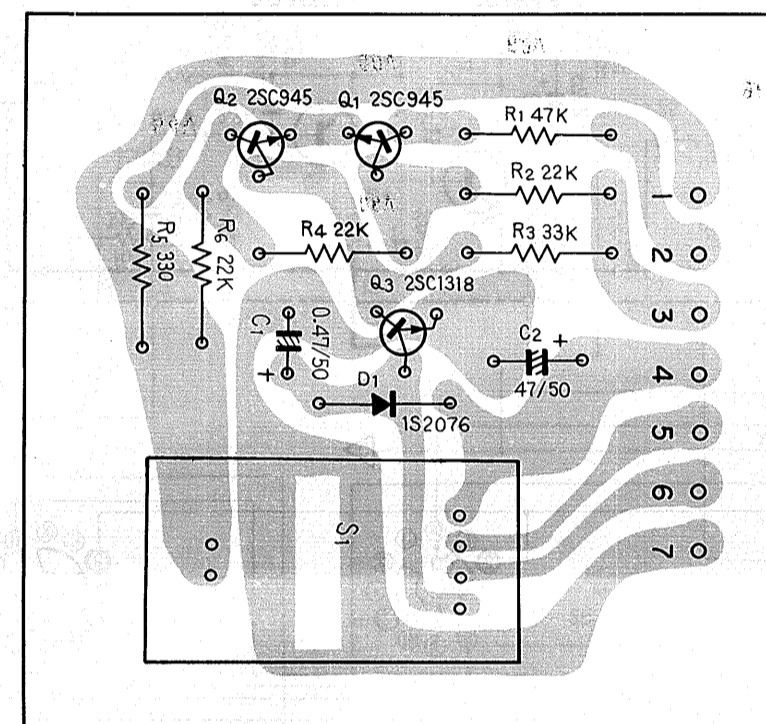
TX-7100



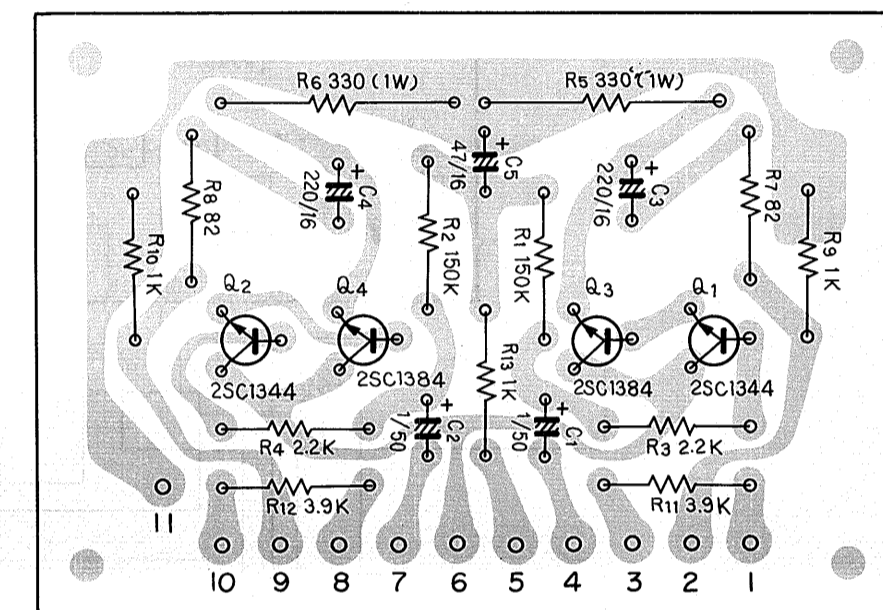
AF amp ass'y AWK-019



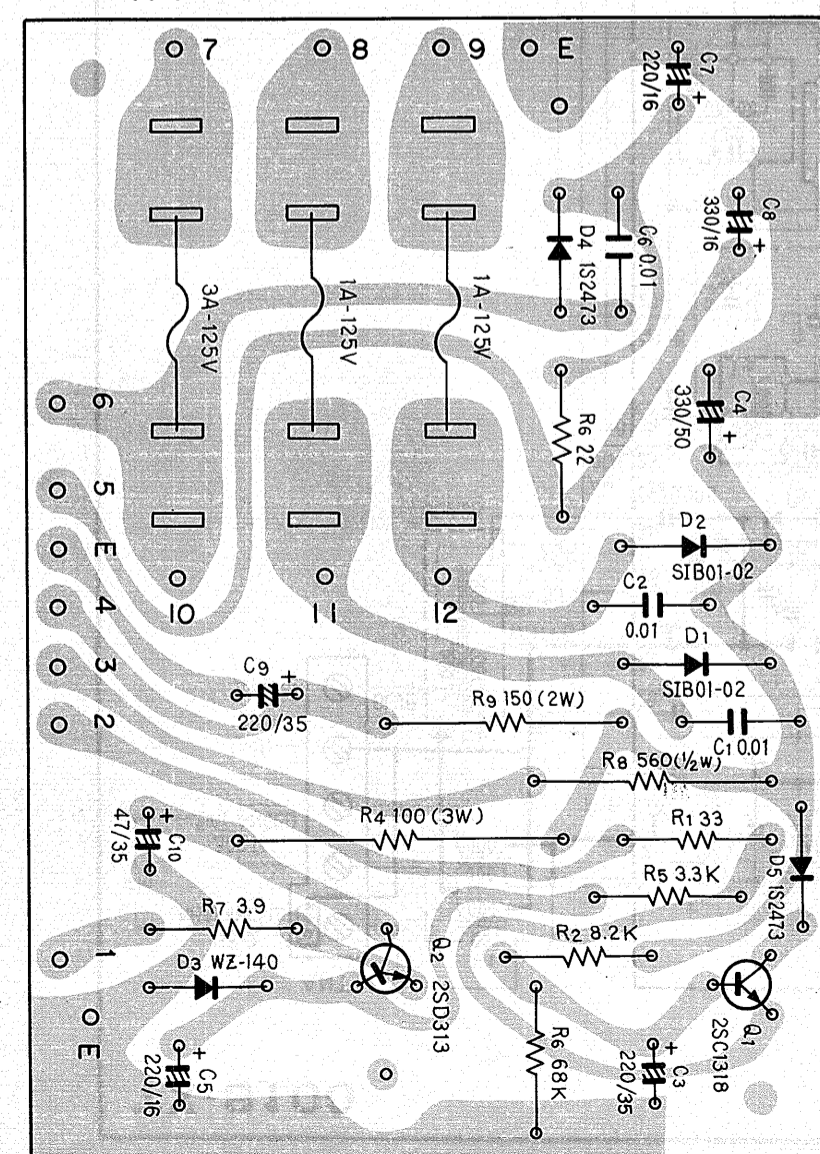
Muting circuit ass'y AWM-039



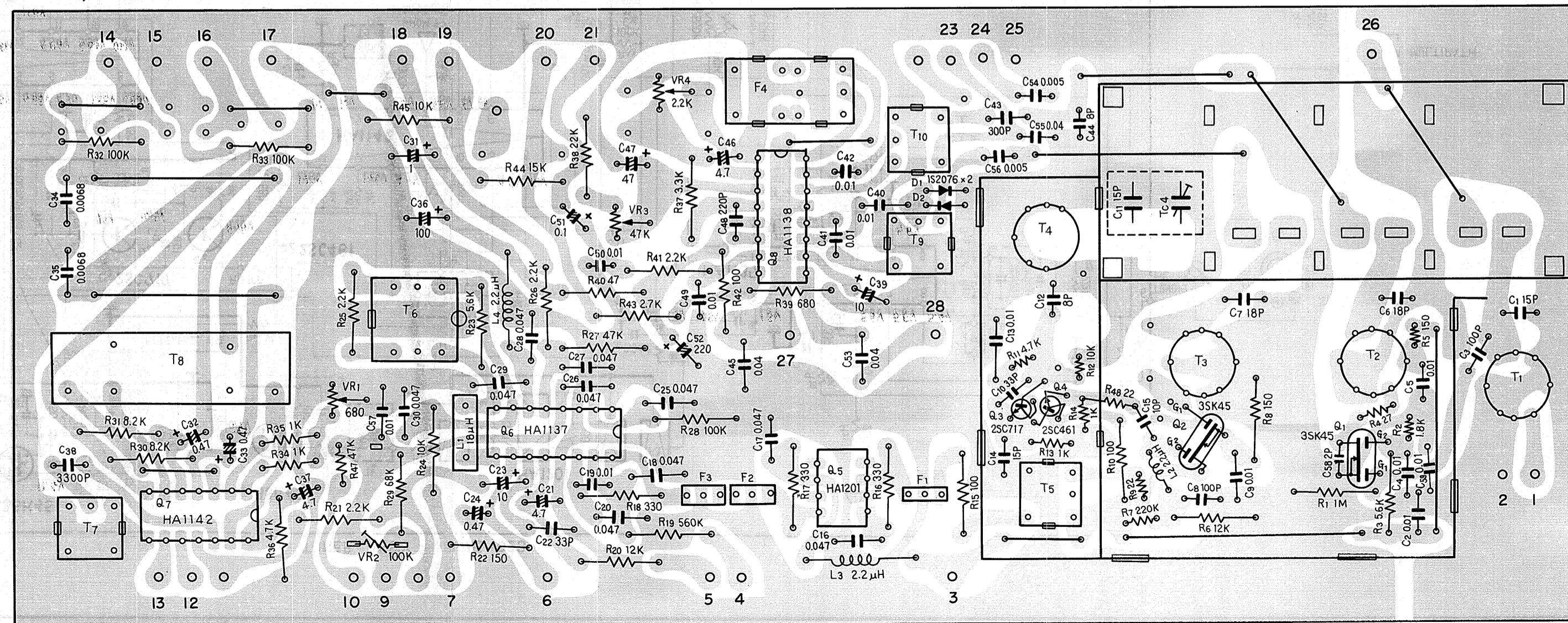
Headphone amp ass'y AWM-041



Power supply ass'y AWR-033

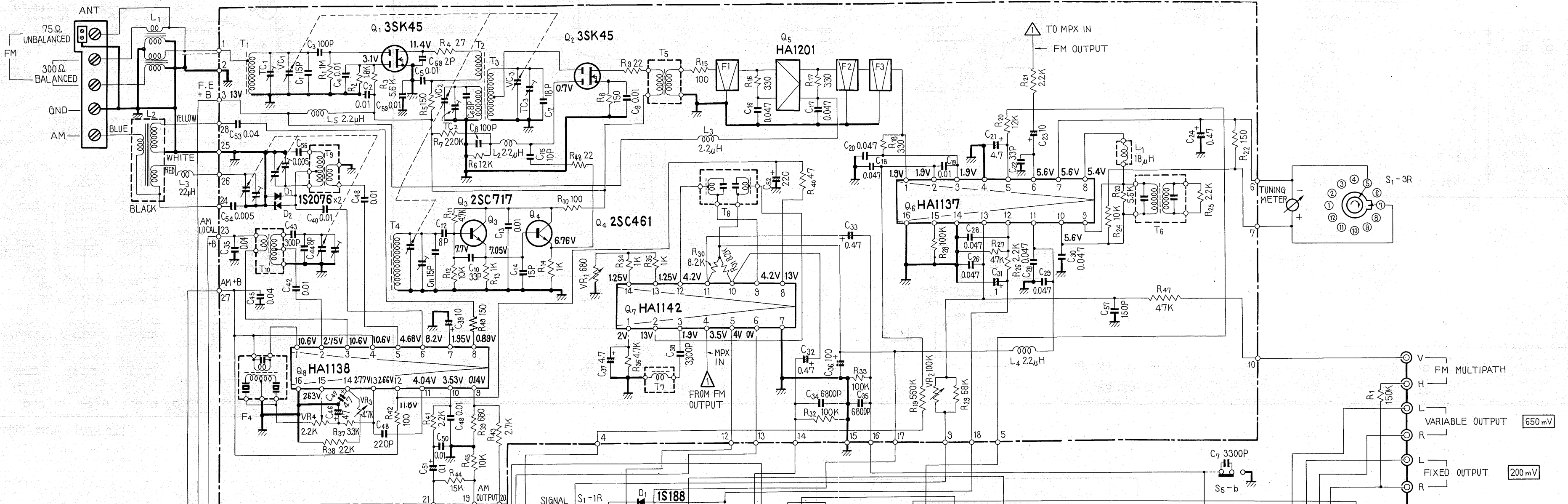


Tuner ass'y AWE-023

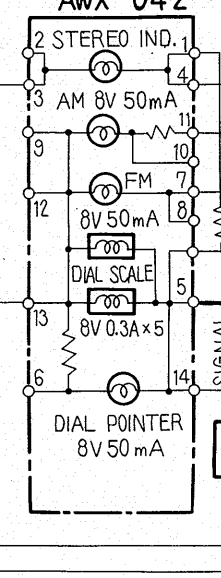


TX-8100

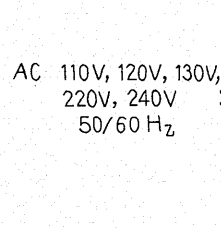
TUNER ASS'Y AWE-023



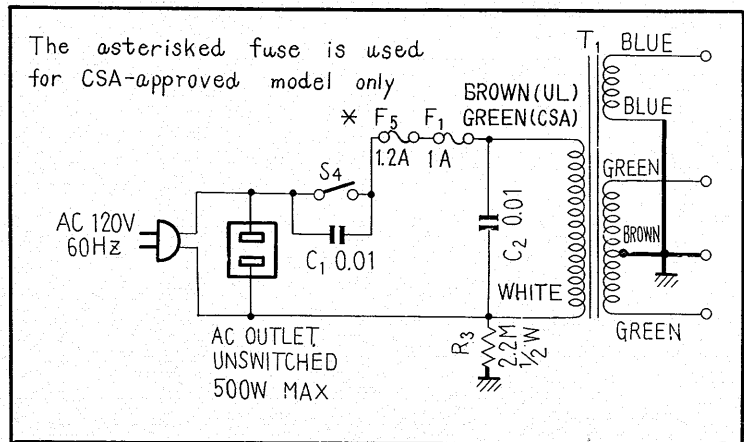
LAMP ASS'Y AWX-042



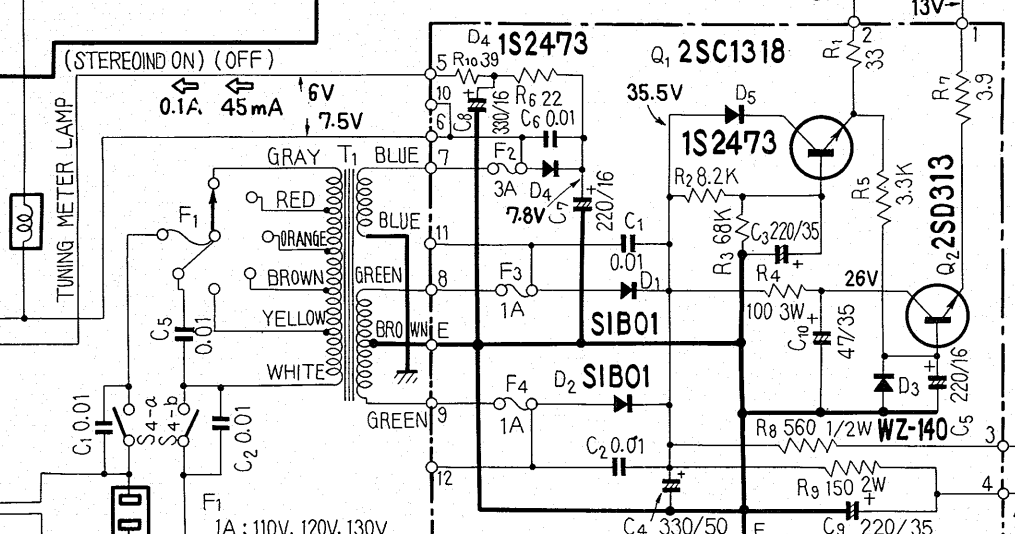
TUNING METER LAMP



POWER SUPPLY CIRCUIT FOR 120V MODEL



POWER SUPPLY CIRCUIT ASS'Y AWR-033



SWITCHES

- S₁ FUNCTION (AM POSITION)
 - 1. AM
 - 2. FM AUTO
 - 3. FM MONO
- S₂ MPX NOISE FILTER (OFF POSITION)
 - OFF → ON
- S₃ MUTING (ON POSITION)
 - ON → OFF

S₄ POWER (OFF POSITION) OFF → ON

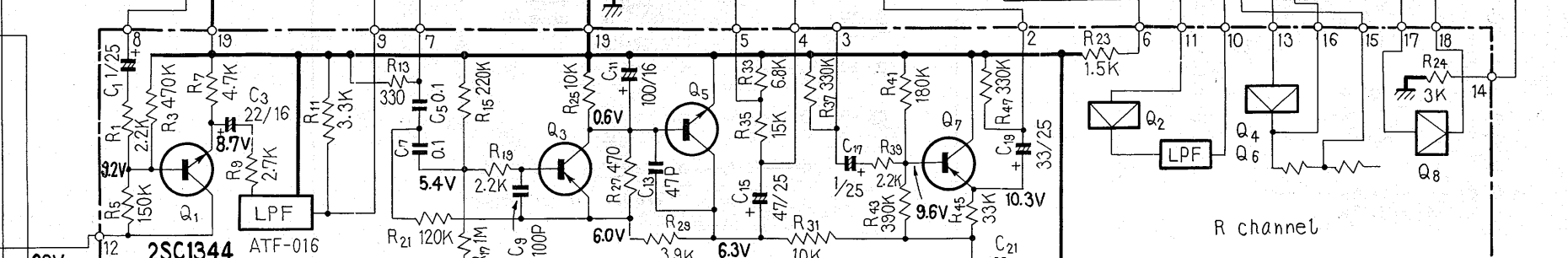
RESISTORS
IN OHM, 1/4, ±5% TOLERANCE UNLESS OTHERWISE NOTED. K:KΩ, M:MΩ.

CAPACITORS
IN μF UNLESS OTHERWISE NOTED. p:pF.

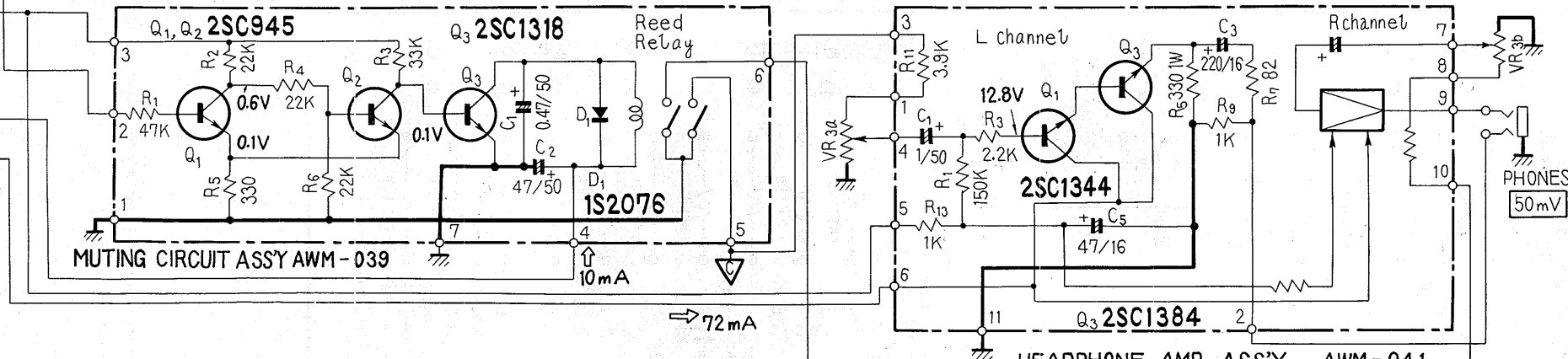
⇒ A: DC CURRENT AT NO INPUT SIGNAL.
V: DC VOLTAGE AT NO INPUT SIGNAL.
V: SIGNAL VOLTAGE AT 30% MOD.

NOTES

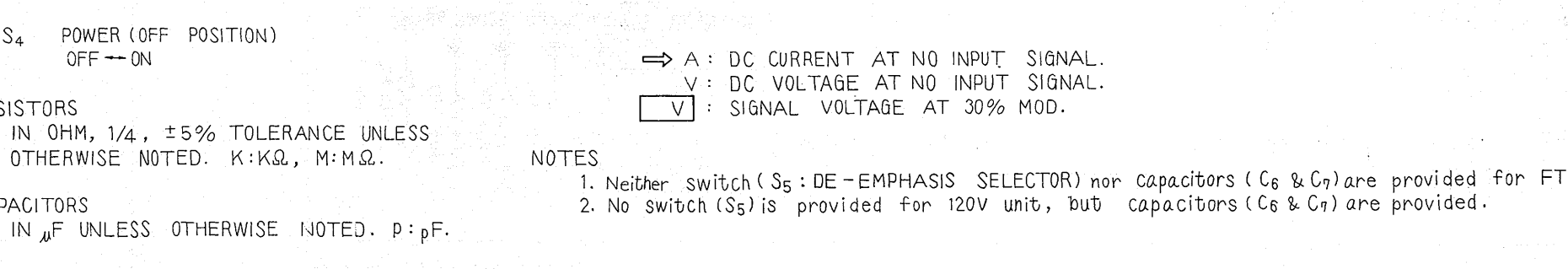
1. Neither switch (S₅: DE-EMPHASIS SELECTOR) nor capacitors (C₆ & C₇) are provided for FTZ-approved unit.
2. No switch (S₅) is provided for 120V unit, but capacitors (C₆ & C₇) are provided.



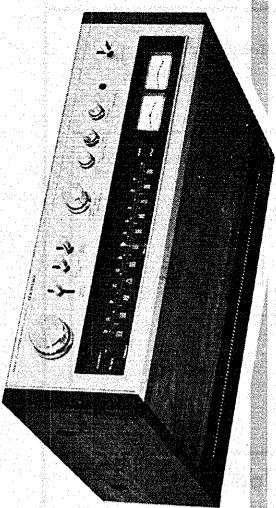
AF AMP ASS'Y AWK-019



HEADPHONE AMP ASS'Y AWM-041



MUTING CIRCUIT ASS'Y AWM-039

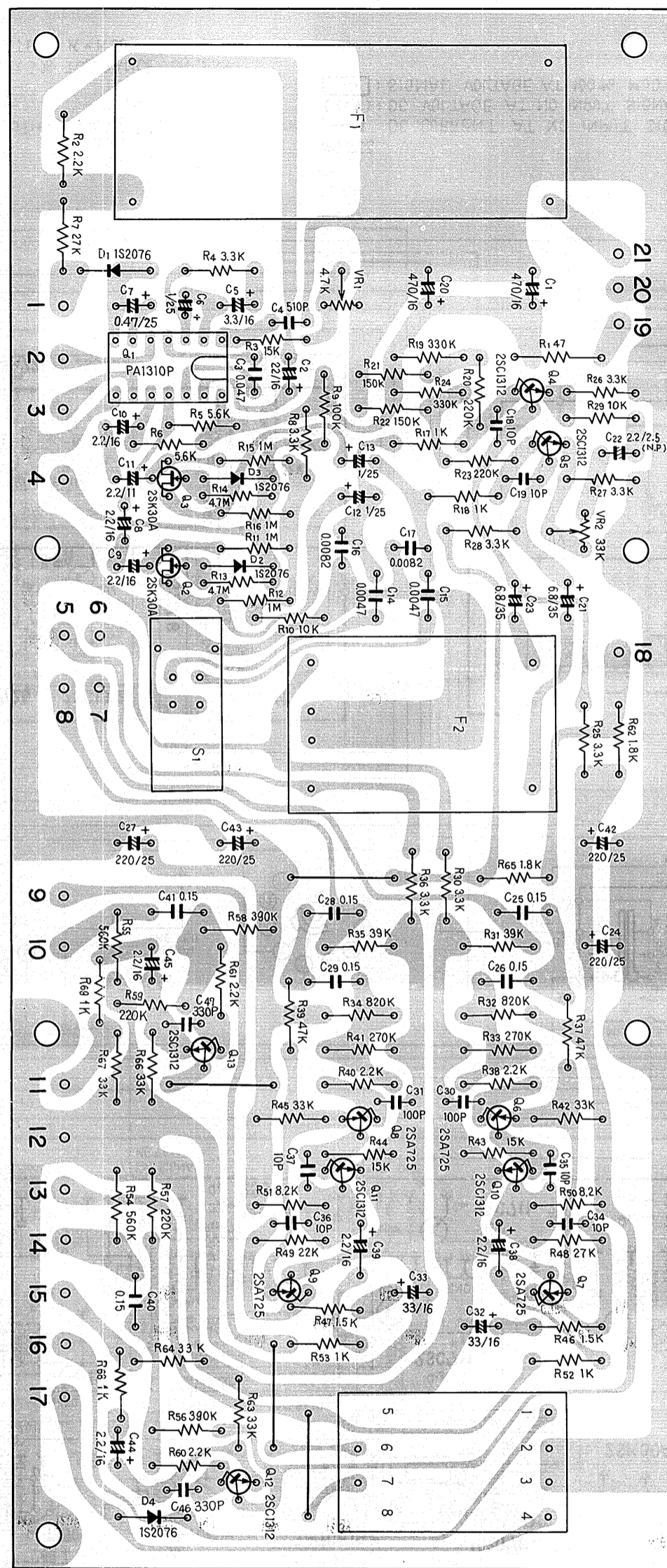


TX-9100

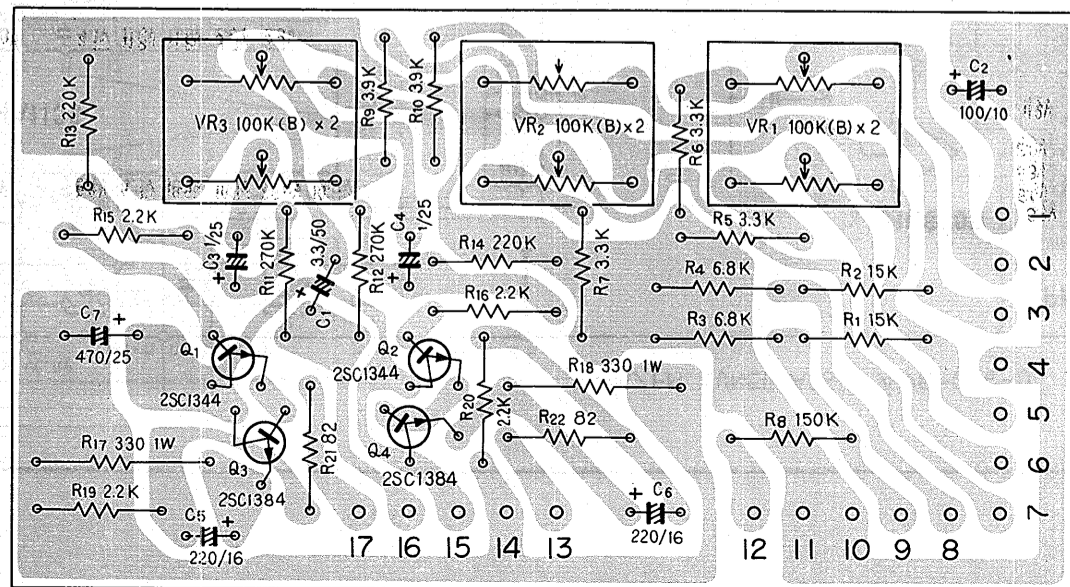
AM/FM STEREO TUNER
FW FVZW KCW KUW

32

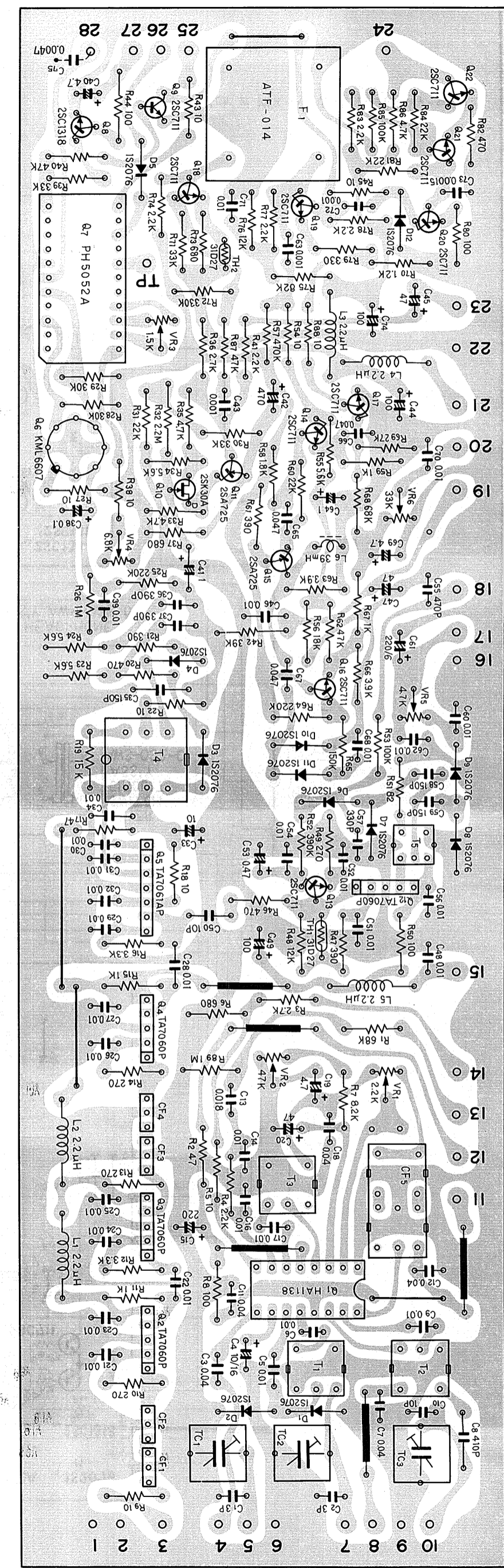
MPX, AF amp ass'y AWD-002



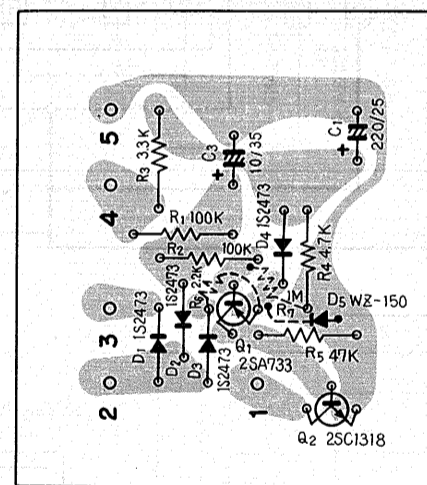
Volume and headphone ass'y AWM-038



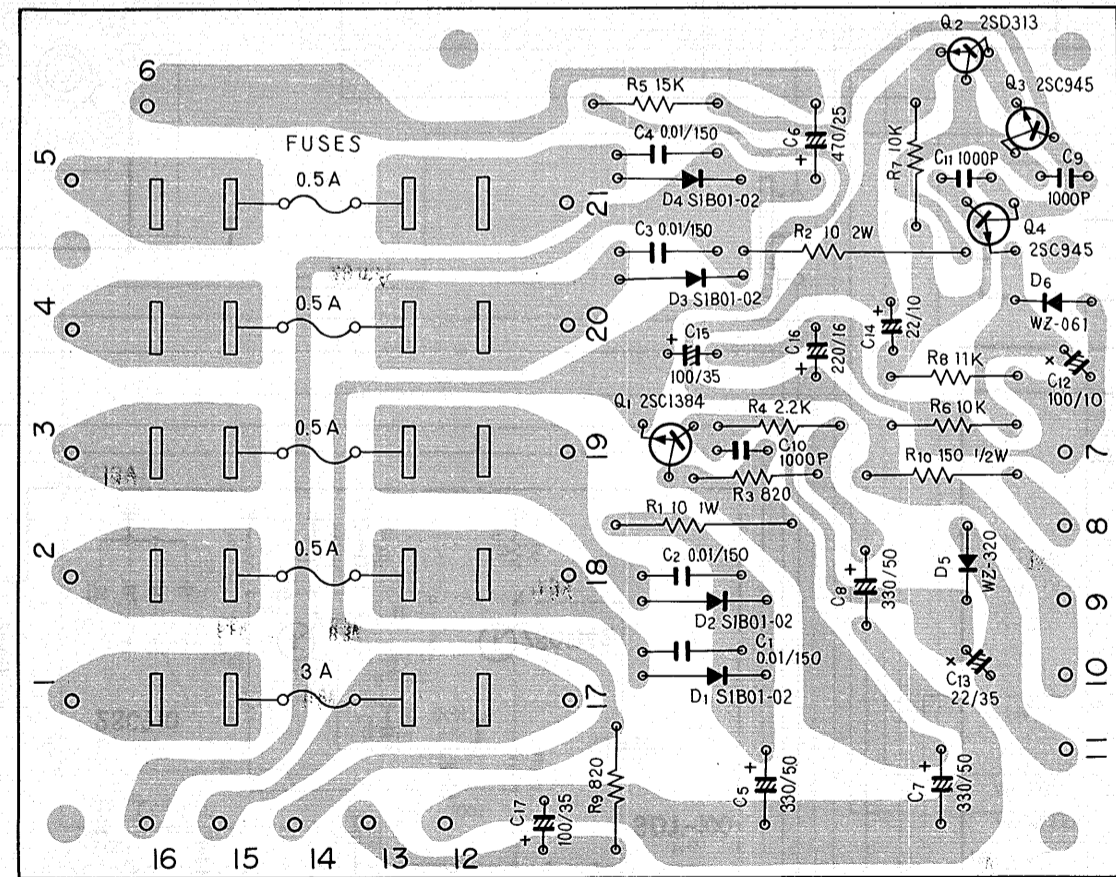
AM, FM IF ass'y AWE-026



Muting circuit ass'y AWM-044

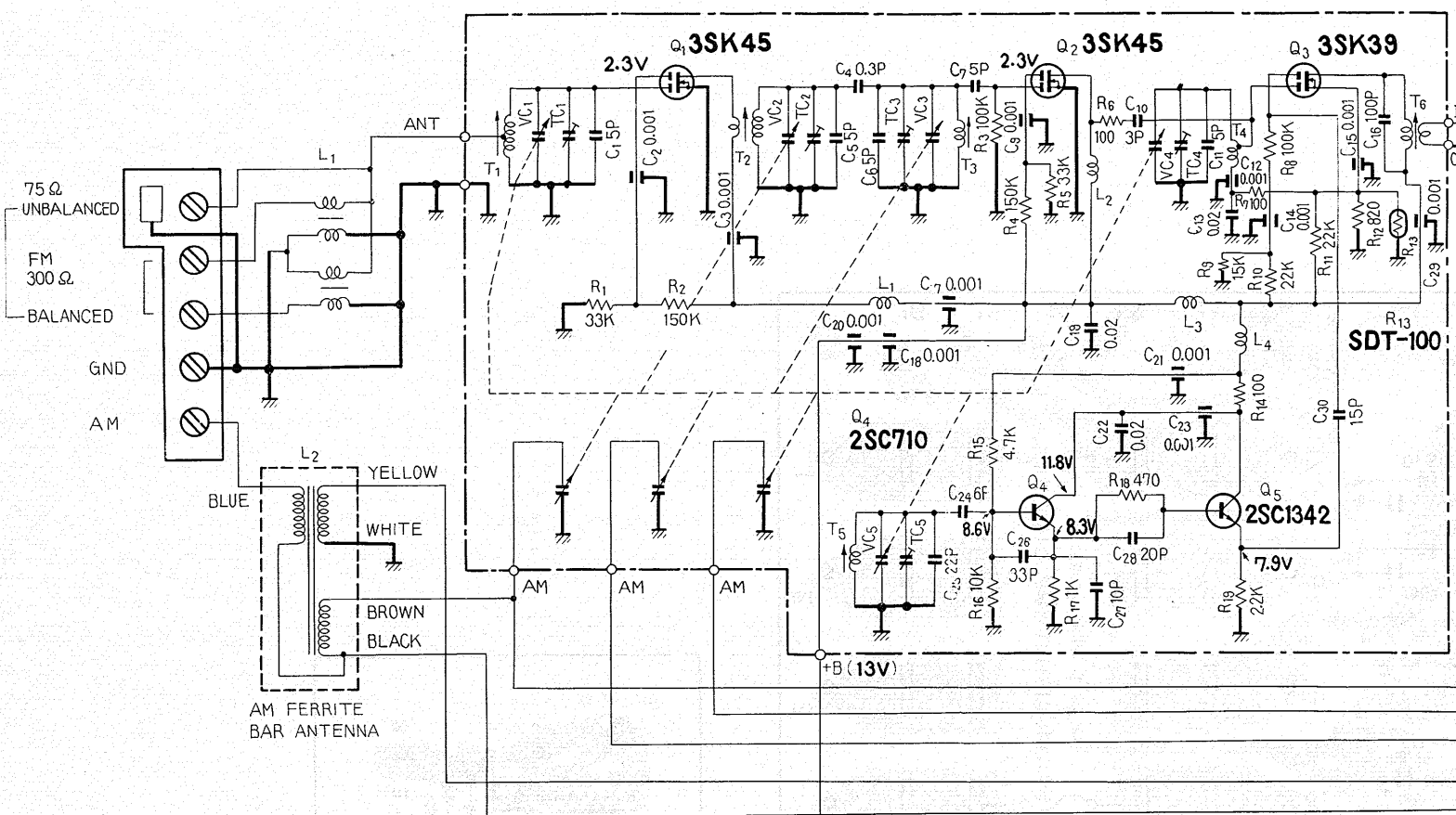


Power supply ass'y AWR-028

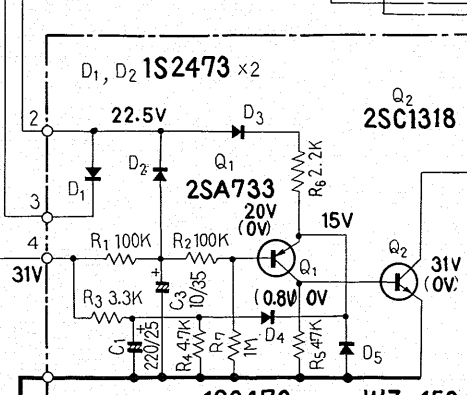
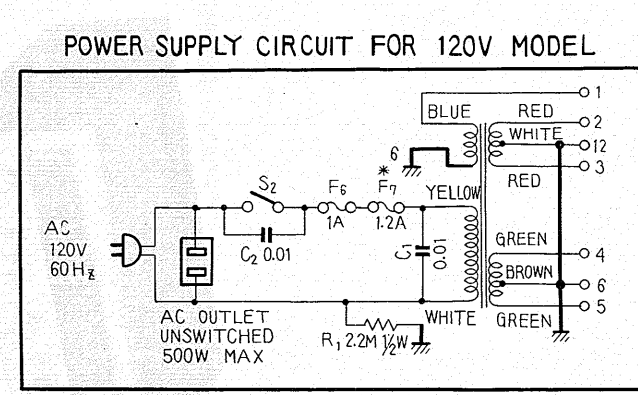
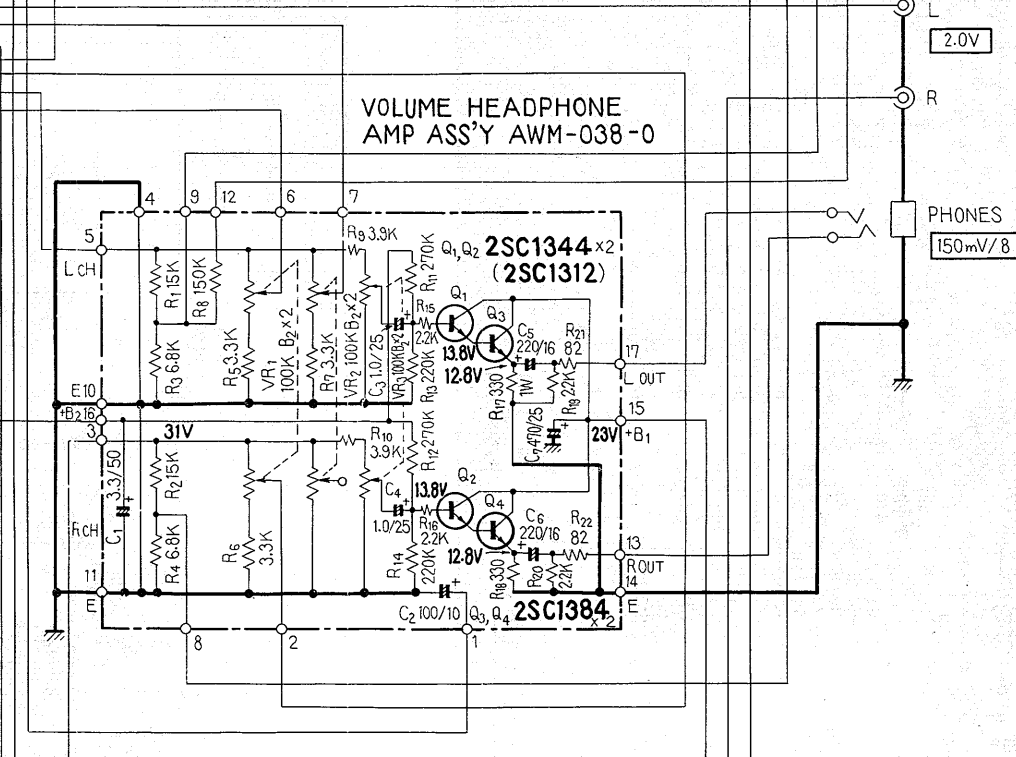
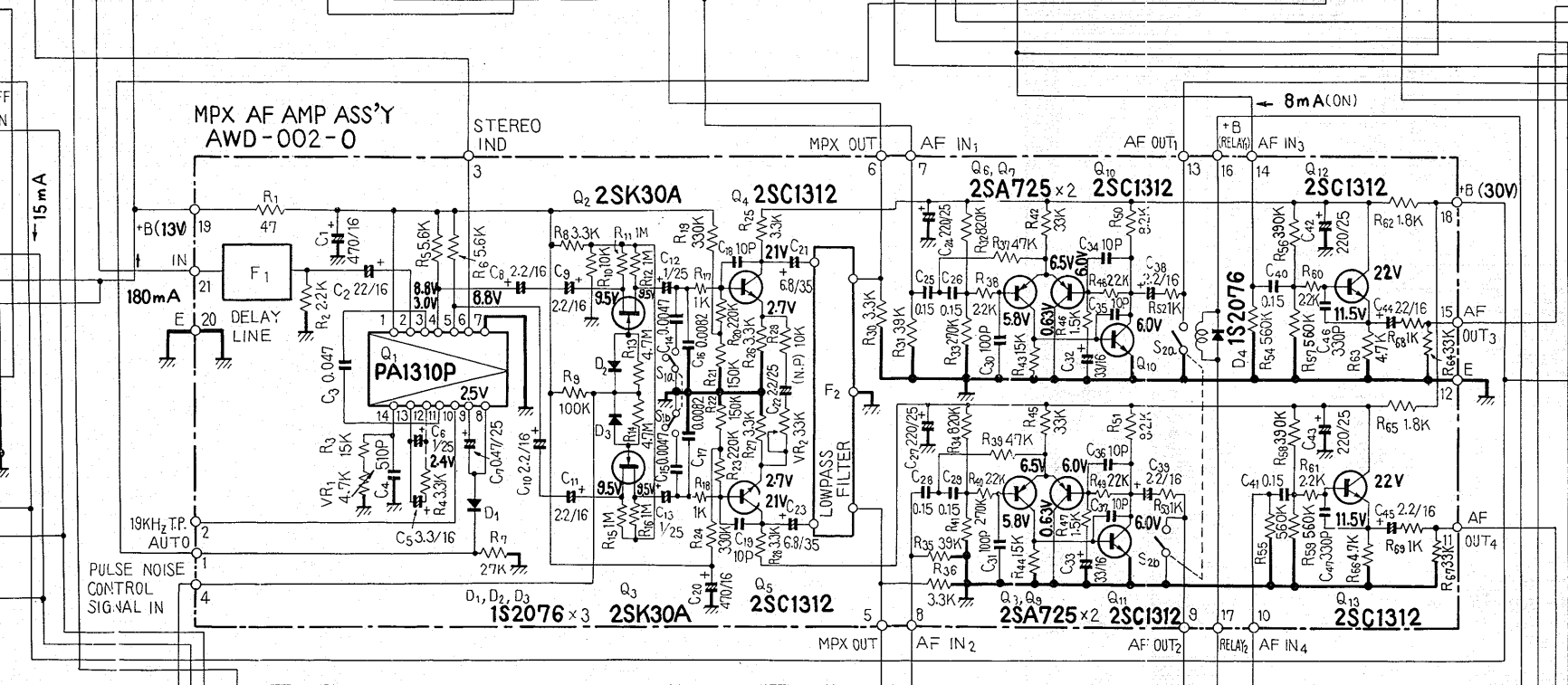
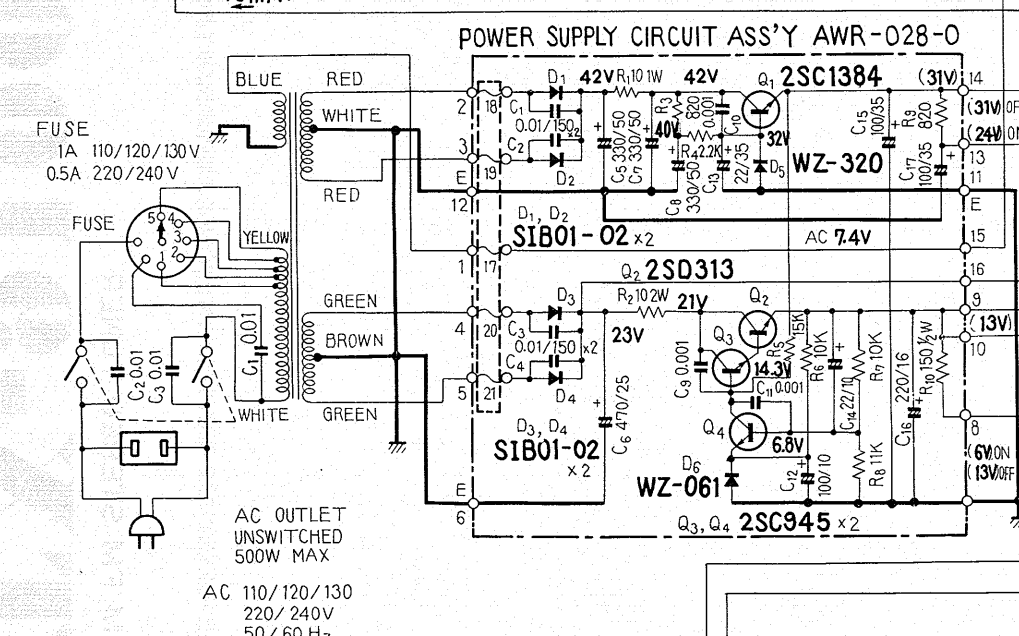
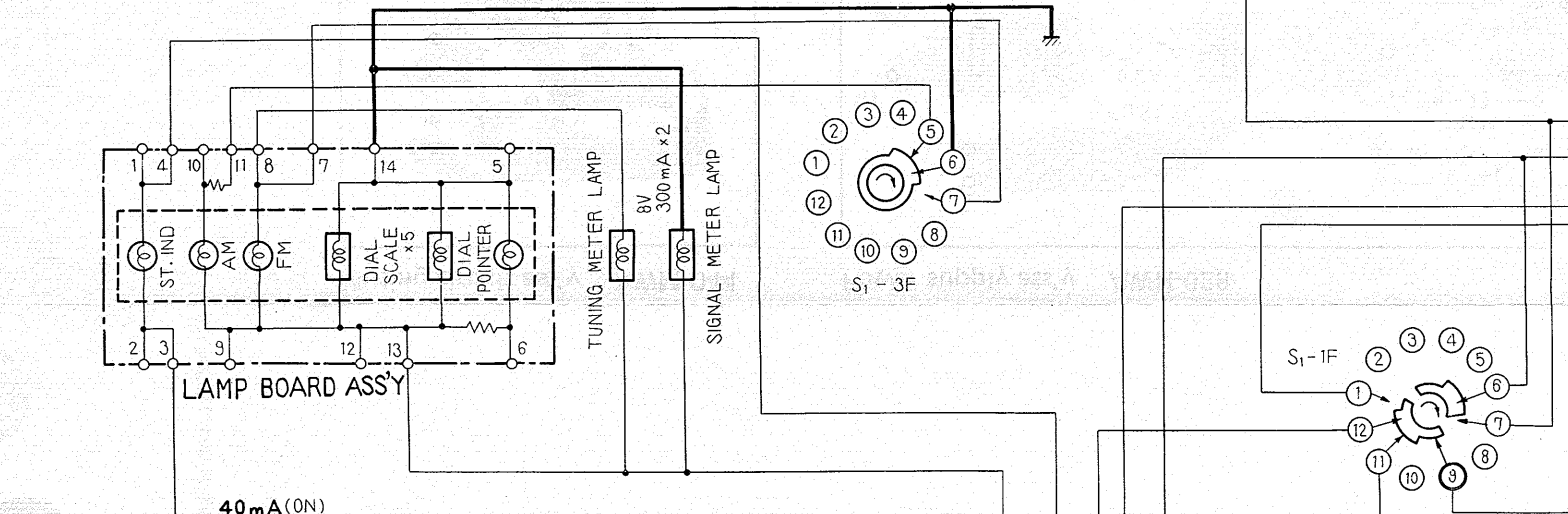
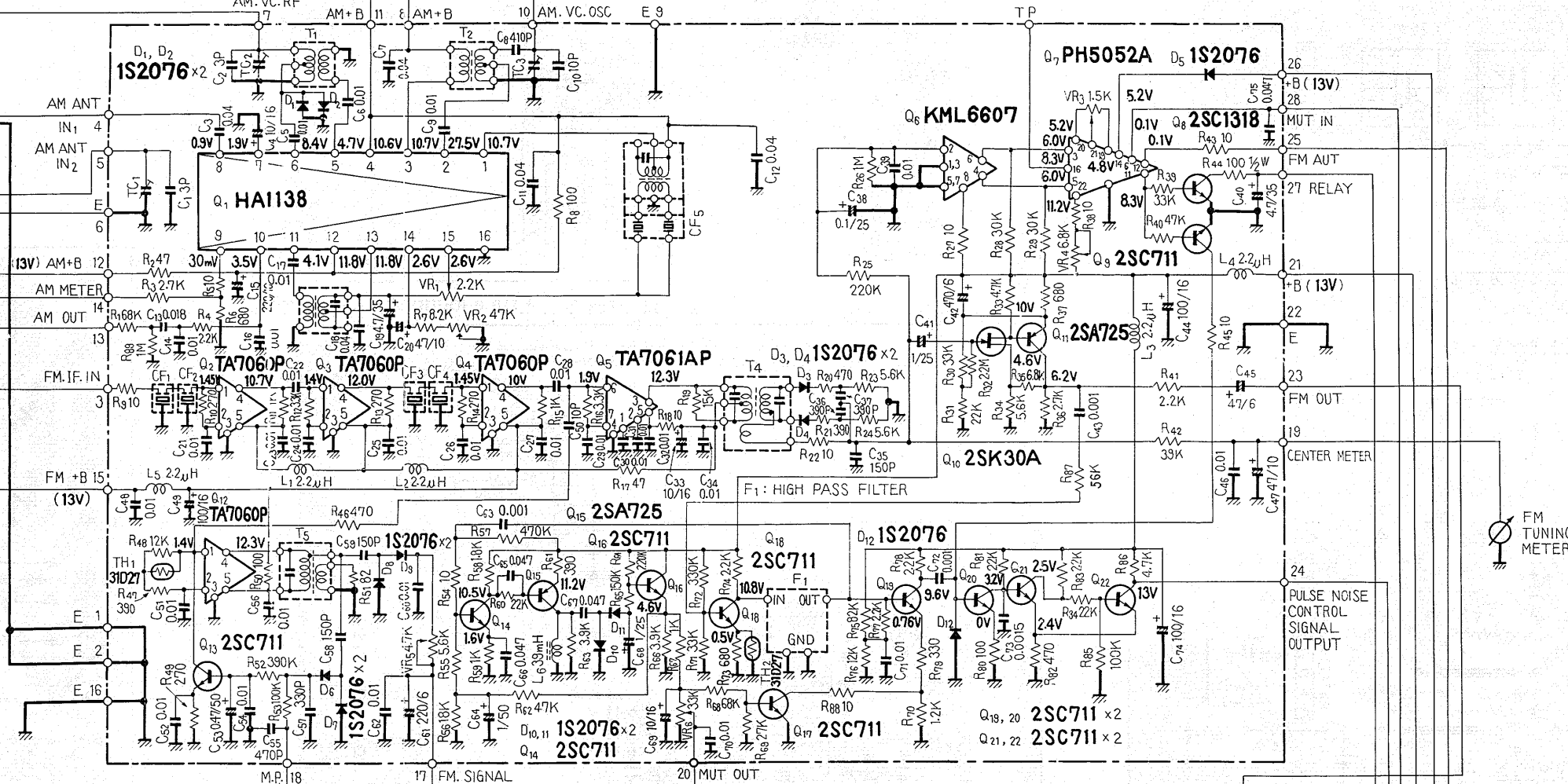


TX-9100

FM FRONT END AWB-013-0, AWB-015-0



AM/FM TUNER ASS'Y AWE-026-0



- SWITCHES**
 S₁ FUNCTION
 (AM position)
 1. AM
 2. FM AUTO
 3. FM MONO
 S₂ POWER
 (OFF position)
 OFF → ON

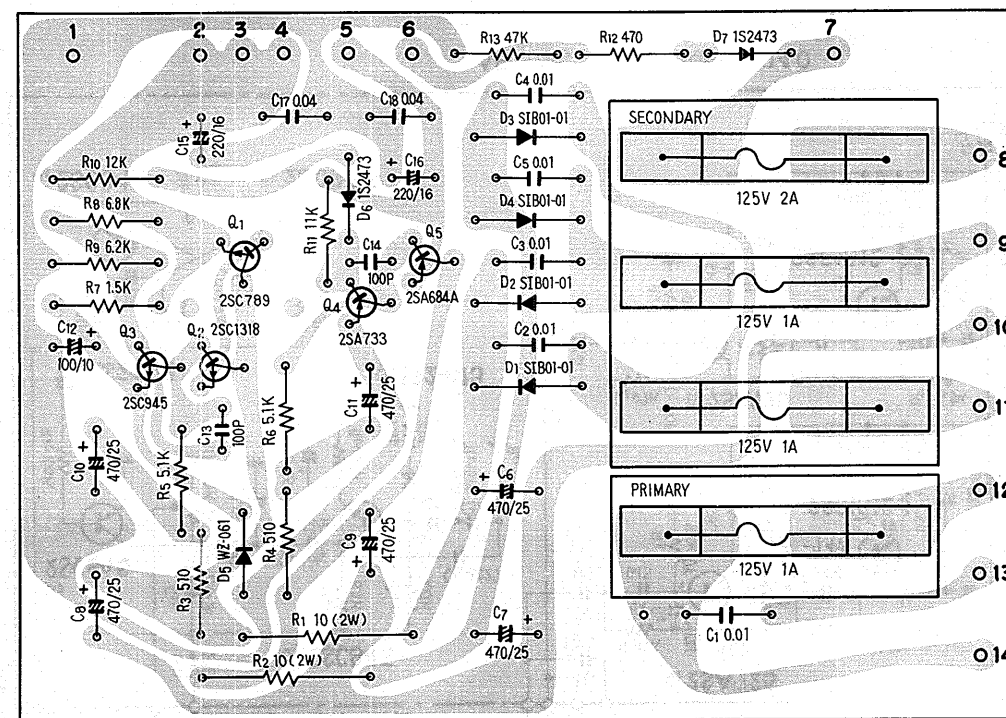
- CAPACITORS**
 IN μF UNLESS OTHERWISE NOTED. P=pF.
RESISTORS
 IN OHM, 1/4 W, ±5% TOLERANCE UNLESS OTHERWISE NOTED. K = KΩ, M = MΩ.

- NOTES**
 → A : DC CURRENT AT NO INPUT SIGNAL.
 (V) : DC VOLTAGE AT NO INPUT SIGNAL.
 V : SIGNAL VOLTAGE AT 100% MOD.

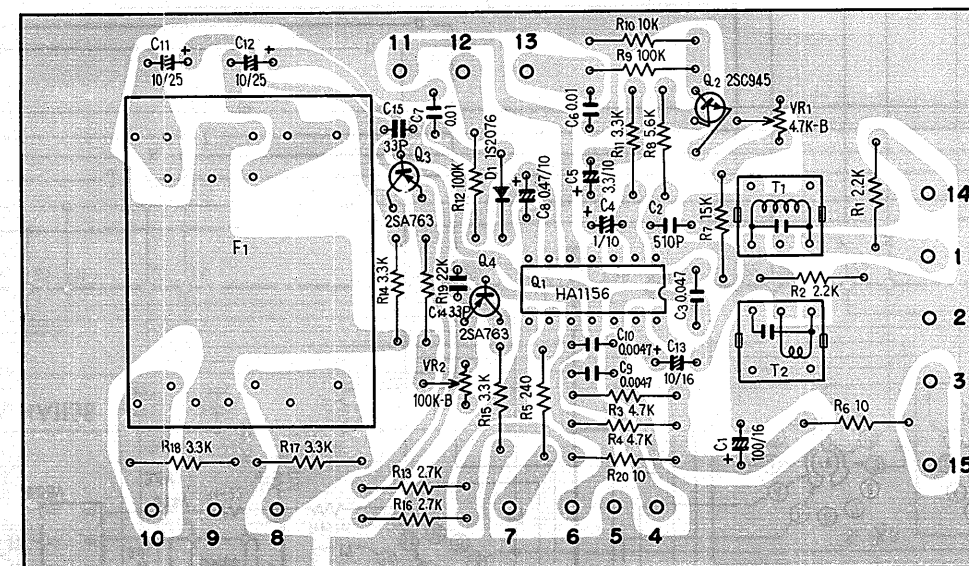
- NOTE**
 De-emphasis switch of MPX AF UNIT is factory-set at:
 75μs for FW model.
 50μs for FVZW model.

NOTE
 Fuse (F*) is attached only to CSA approved version.

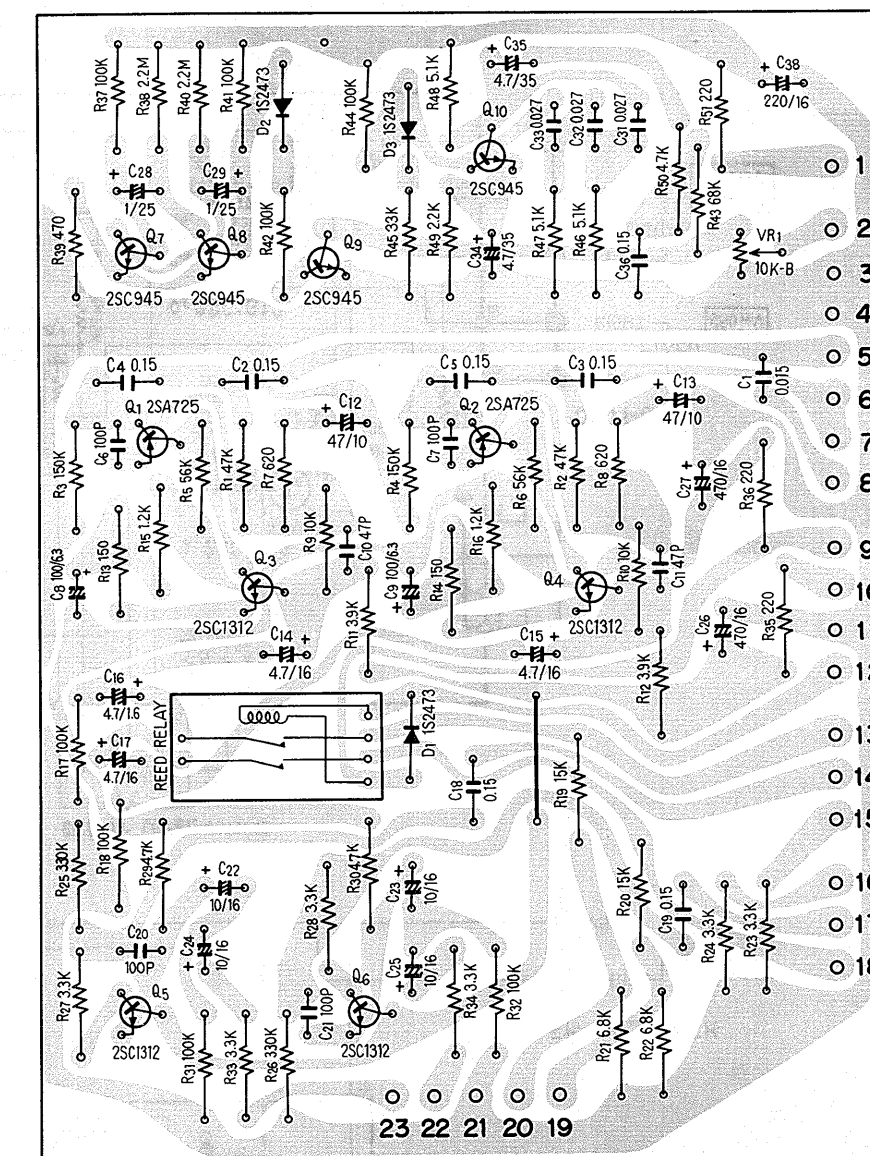
Power supply ass'y AWR-078



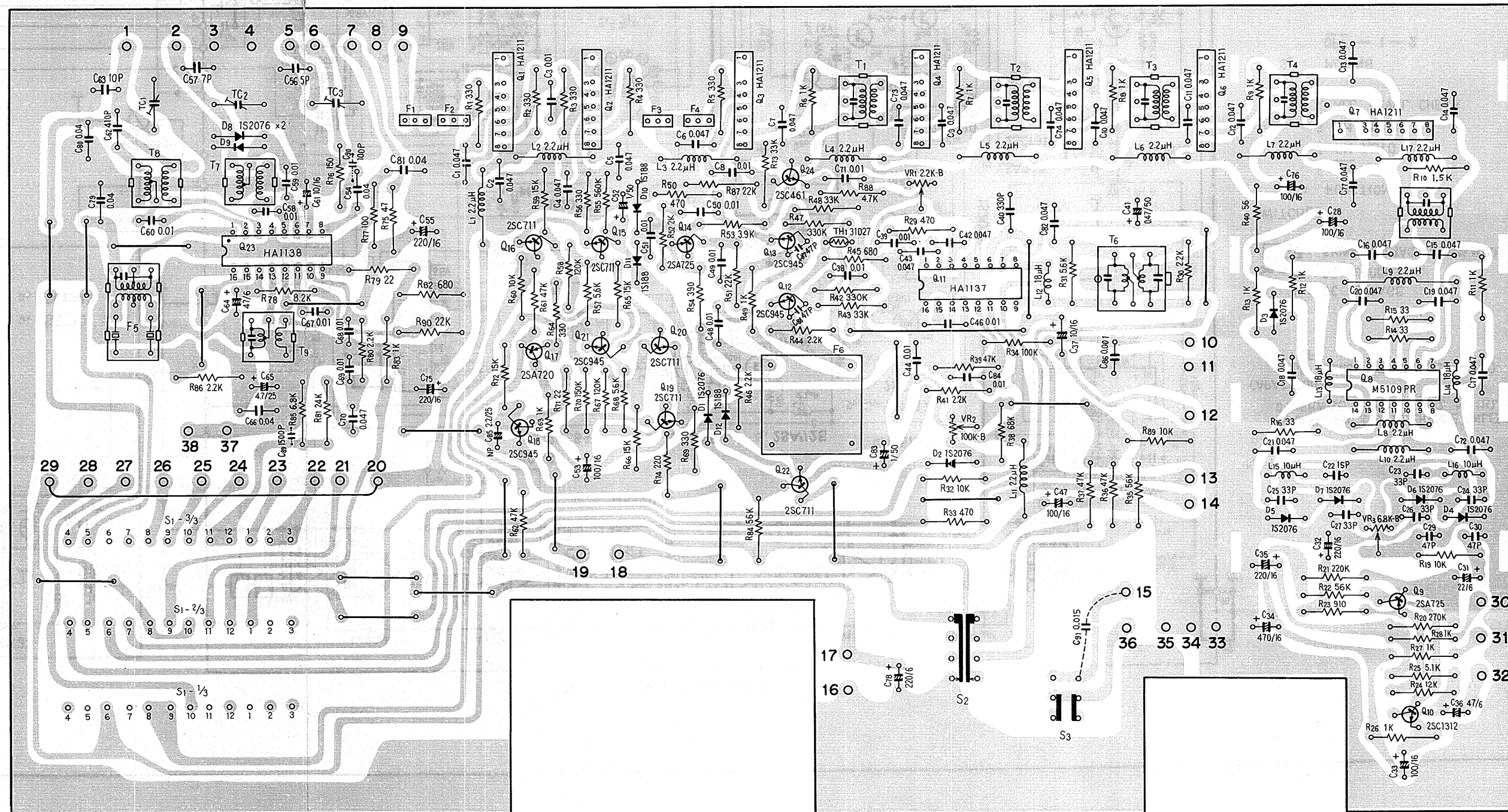
MPX ass'y AWD-005



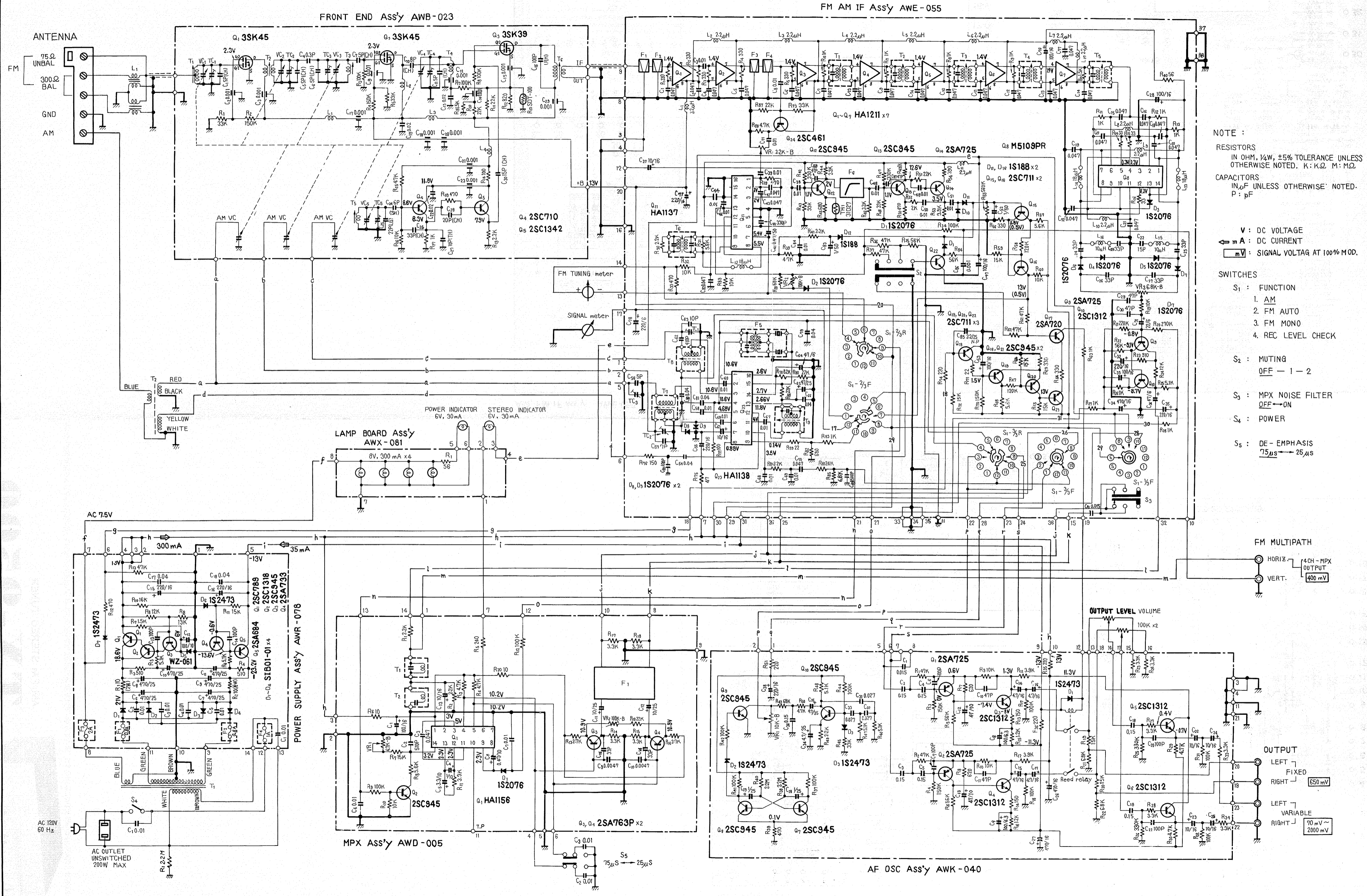
AF amp and OSC ass'y AWK-040



AM, FM IF ass'y AWE-055



TX-9500



NOTE :
 RESISTORS
 IN OHM, 1/4W, ±5% TOLERANCE UNLESS
 OTHERWISE NOTED. K: K.Ω. M: M.Ω
 CAPACITORS
 IN μF UNLESS OTHERWISE NOTED.
 P: pF

V: DC VOLTAGE
 ← mA: DC CURRENT
 mV: SIGNAL VOLTAGE AT 100% MOD.

- SWITCHES**
- S₁: FUNCTION
 - 1. AM
 - 2. FM AUTO
 - 3. FM MONO
 - 4. REC LEVEL CHECK
 - S₂: MUTING
 OFF — 1 — 2
 - S₃: MPX NOISE FILTER
 OFF — ON
 - S₄: POWER
 - S₅: DE-EMPHASIS
 75μs — 25μs

FM MULTIPATH
 HORIZ. — 4-CH-MPX OUTPUT
 VERT. — 400 mV

OUTPUT LEVEL VOLUME
 100K x 2
 LEFT FIXED
 RIGHT 650 mV
 LEFT VARIABLE
 RIGHT 70 mV ~ 2000 mV

PIONEER ELECTRONIC CORPORATION

4-1, 1-Chome, Meguro, Meguro-ku, Tokyo 153, Japan

U.S. PIONEER ELECTRONICS CORPORATION

75 Oxford Drive, Moonachie, New Jersey 07074, U.S.A.

PIONEER ELECTRONIC (EUROPE) N.V.

Meir-Center Meir 21, 2000 Antwerp, Belgium

PIONEER ELECTRONICS AUSTRALIA PTY. LTD.

256-B City Road, South Melbourne, Victoria 3205, Australia

© MAR. 1975

Printed in Japan

<ART-118-0>

<75C04Y01K>